



**COMANDI FLESSIBILI MECCANICI
FRIZIONE - FRENO - ACCELERATORE
ARIA - COFANO - CONTACHILOMETRI
CAMBIO - TUBI FRENO IDRAULICI**

**D.M.C. S.r.l. - Via Nazionale delle Puglie n. 20
80013 Casalnuovo di Napoli - Telefax 081/5228845
Sito Web: www.dmcricambi.com - E-mail: info@dmcricambi.com**

Catalogo Generale 2015

CLUTCH CABLES

Comandi disinnesto frizione Cables de debrayage Kupplungsseile

APPLICATION	YEAR	LENGTH	OEM/COMPARES WITH No.	OUR REF.
AUDI				
80 all	72-	950/655	843.721.335	10.317
80 GL 1.3	78-	1115/805	321.721.335C	10.318
80 Diesel / 4000 Diesel USA mod.	80-	940/650	811.721.335C/H	10.319
80 4 cyl.	79-83	940/640	811.721.335F	11.348
80 5 cyl.	80-83	980/600	321.721.335E	11.328
80 all 1.6 -1.8	84-	930/590	811.721.335P	11.329
80 Diesel-Turbodiesel / 90	83-	930/590	811.721.335Q/R	10.320
100 GL	70-77	830/655	803.721.335A	10.322
100 GL	77-	900/640	803.721.335B	10.323
100 GL	79-	880/645	803.721.335C	10.324
100 S-LS-GLS 4 cyl.	77-	1160/685	431.721.335G	10.325
100 1.9- 2.0 5 cyl.	76-82	1220/650	431.721.335F	11.493
100 4 cyl.	82-84	1190/660	443.721.335C	12.751
100 S-LS-GLS 4 cyl.	84-	1280/765	443.721.335D	10.326
100 5 cyl.	82-84	1190/650	443.721.335B	12.752
100 5 cyl.	84-	1200/670	443.721.335E	12.084
50 all	74-	595/375	861.721.335A	10.316

ARO

10.1 1.3 cc mot. Renault		490/320		12.712
Dacia			6001.546.181	14.542

CHRYSLER - KIA

Voyager	86-91	1050/600	4377770	13.503
Rio			OK30A41/4150C	14.549
Brid			KDX1841150B	14.550
Picanto	04-	840/665	4151007100/110/120	14.851

CITROEN

2CV-Dyane-Mehari-Acadiane (prot.)	70-	705/545	AY3142E	10.328
2CV-Dyane-Mehari-Acadiane-2CV Fourgonette	70-	705/545	AY3142A-95494917	10.329
Ami 6-8	68-	640/480	AM3142K	10.331
Ami Super	72-	740/600	5425958	10.332

CLUTCH CABLES

Comandi disinnesto frizione Cables de debrayage Kupplungsseile

APPLICATION	YEAR	LENGTH	OEM/COMPARES WITH No.	OUR REF.
CITROEN				
AX 1.4 I	7/91-	685/440	96089335	12.109
AX all	86-	665/505	95598955	11.330
AX all	88-	630/470	96046150	11.707
AX all (exc. 1.4)	7/91-	635/400	2150.N0-96101674	12.108
Axel all	85-	745/550	95492653	11.285
Berlingo 1.4-1.6 all (modif.)	97-	635/350	2150.R1	13.501
Berlingo 1.4-1.6 all a/a	97-	365/340	2150.R1	11.003
Berlingo 1.6 16v all (modif.)	98-	890/700	2150.AH	10.997
Berlingo 1.6 16v all a/a	98-	890/700	2150.AH	13.959
Berlingo 1.8 all (modif.)	97-	660/310	2150.V1	13.758
Berlingo 1.8 all a/a	97-	660/310	2150.V1	14.553
Berlingo all gear BE4R (modif.)	03-	902/724	2150.CF	11.004
Berlingo all gear BE4R a/a	03-	902/724	2150.CF	14.555
Berlingo all gear BE4R a/a	07-	885/690	2150.CY	14.850
Berlingo Diesel (modif.)	97-	657/314	2150.R2	13.759
Berlingo DS all a/a	97-	653/366	2150.R2	14.554
BX 11-14	90-	1230/1000	96044602	12.110
BX 14 all	82-	460/280	95496081-95496745-95610155	10.345
BX 16 all-Diesel	82-	680/480	95496746-95496082	10.346
BX Sport-16-19-Diesel	86-	680/480	95610218	11.494
BX Tds	88-	700/390	95636691	12.111
C1 1.0 all	05-	1564/1400	2150.CQ	10.999
C1 1.4 Ds	05-	1450/1285	2150.CR	11.000
CX 2000	-74	860/490	5452431	12.101
CX all 4 speed	74-	875/470	5490093	10.342
CX all 4 speed	83-	820/630	95495593	10.344
CX all 4 speed	85-	875/625	95606505	11.495
CX all 5 speed	-82	870/610	75491605	10.343
CX all 5 speed	83-	875/475	95492896	11.286
Dyane	68-	595/380	AY3142	12.102
Dyane	-69	610/385	AY3142D	10.327
Evasion 1.9 Ds-2.0 a/a	00-	973/632	2150.AC-1487268080	11.068
Evasion 1.9 Ds-2.0 BE4R (modif.)	00-	970/655	2150.AC	11.121
Evasion 2.0 a/a	95-	762/332	2150.S4-1476637080-1479128080	11.014
Evasion 2.0 (modif.)	95-	765/350	2150.S4-1476637080-1479128080	13.505
Evasion 2.0 Hdi a/a	00-	1003/643	2150.AN-1487725080	11.101
Evasion 2.0 Hdi BV/ML5C (modif.)	00-	1000/660	2150.AN	11.130
Evasion 2.0TB-1.9TDS a/a	95-	855/500	2150.T1-1476638080-1480346080	11.015
Evasion 2.0TB-1.9TDS (modif.)	95-	855/500	2150.T1-1476638080-1480346080	13.506
Evasion 2.1 a/a	96-	1095/760	2150.P6 -1476128080	11.059
Evasion 2.1 Tds (modif.)	96-	1095/760	2150.P6 -1476128080	13.502
GS-GSA all	74-	1180/1020	GX4217601A-5455721	10.340
LNA 11E-11RE (1124 cc.)	81-	470/275	95495608	10.334
LN-LNA	78-	780/600	5490829	10.333
Saxo all (exc. Ds)	2/96-	675/430	2150.Q2-96262085	12.753
Saxo Ds	2/96-	675/430	2150.Q3-96259810	12.754

CLUTCH CABLES

Comandi disinnesto frizione Cables de debrayage Kupplungsseile

APPLICATION	YEAR	LENGTH	OEM/COMPARES WITH No.	OUR REF.
-------------	------	--------	-----------------------	----------

CITROEN

Visa Club-Special (652 cc)	-5/80	835/655	75492029-95493247	10.335
Visa Club-Special (652 cc)	6/80-	830/640	95493315	10.336
Visa Diesel-GTI	84-	795/580	95496584-95594985	10.339
Visa Super E-L (1124 cc)	-5/80	435/290	95493403-75491651	10.337
Visa Super E-LX-GT (1124 cc)	6/80-	450/250	95493316-95545123	10.338
Xantia 1.9 Ds (exc. turbo)	97-	780/470	2150.P4	13.756
Xantia 16V	93-	850/650	96108987	12.761
Xantia 16V-Tds (ch. 6748-)	96-	840/645	2150.P5	12.762
Xantia all (exc. 16V)	93-	780/470	96097749	12.760
Xsara 1.4/1.6 all (modif.)	97-	625/334	2150.V7-9625275680	13.752
Xsara 1.4/1.6 all a/a	97-	615/353	2150.V7-9625275680	11.002
Xsara 1.6/1.8/2.0 16v-1.9 Ds-2.0 HdI (modif.)	00-	933/688	2150.Z6/AR-9646122580	14.540
Xsara 1.6/1.8/2.0 16v-1.9 Ds-2.0 HdI a/a	00-	933/688	2150.Z6/AR-9646122580	10.998
Xsara 1.8/1.9 Ds (modif.)	97-	667/314	2150.V9-9625276780	13.753
Xsara 1.8/1.9 Ds a/a	97-		2150.V9-9625276780	14.551
Xsara 2.0/1.9 Td (modif.)	97-	732/513	2150.V2-9632112980	13.754
Xsara 2.0/1.9 Td a/a	97-00	717/518	2150.V2-9632112980	11.001
Xsara Picasso 1.6/1.8/2.0 16v-2.0 HdI (modif.)	00-	895/695	2150.Z5/AT/AS	14.552
Xsara Picasso 1.6/1.8/2.0 16v-2.0 HdI a/a	00-	905/715	2150.Z5/AT/AS-9645688880	13.958
ZX 1.1-1.4 cc	91-	610/371	96104679	12.112
ZX 1.1-1.4 cc (ch. 6568-)	94-	640/375	2150.K7/N9	12.756
ZX 1.6-1.8-2.0	94-	665/360	2150.K6/N8	12.757
ZX 1.6-1.9 cc	91-	660/375	96104680	12.113
ZX 1.9 Ds	96-	690/365	2150.P8	12.759
ZX 16V-1.9 Ds-Tds	94-	745/550	2150.K8/P0	12.758
ZX 2.0-1.9 Tds	93-	710/545	96110296-2150.R5	12.755
ZX 2.0-1.9 Tds (orga 6810-)	97-	757/762	2150.Q0	13.757

CITROEN Commercial Vehicle

C15 Diesel	85-	795/580	95496584-95594985	10.339
C15 Diesel	7/87-	690/380	95636991	12.114
C15 Benzina	85-	450/240	95493316-95545123	10.338
C15 Benzina	88-	670/440	95636976	14.556
C25	83-	1190/920	ZF04460471-2150.E2	10.401
C35	77-	2120/1925	ZF05437678	10.398
Jumpy 2.0 (modif.)	95-	765/350	2150.S4-1476637080-1479128080	13.505
Jumpy 2.0 BV BE3-BE3R a/a	95-	762/332	2150.S4-1476637080-1479128080	11.014
Jumpy 2.0 TB-1.9TDS (modif.)	95-	855/500	2150.T1-1476638080-1480346080	13.506
Jumpy 2.0 TB-1.9TDS a/a	95-	855/500	2150.T1-1476638080-1480346080	11.015
Jumpy 2.1Tds (modif.)	96-	1095/760	2150.P6 -1476128080	13.502
Jumpy 2.1 a/a	96-	1095/760	2150.P6 -1476128080	11.059
Jumpy 1.9 Ds-2.0 BE4R (modif.)	00-	970/655	2150.AC	11.121
Jumpy 1.9 Ds-2.0 a/a	00-	973/632	2150.AC-1487268080	11.068
Jumpy 2.0 HdI a/a	00-	1003/643	2150.AN-1487725080	11.101
Jumpy 2.0 HdI BV/ML5C (modif.)	00-	1000/660	2150.AN	11.130

CITROEN Commercial Vehicle

CLUTCH CABLES

Comandi disinnesto frizione Cables de debrayage Kupplungsseile

APPLICATION	YEAR	LENGTH	OEM/COMPARES WITH No.	OUR REF.
Jumper BV ME5T 2.0-Ds 1.9	94-	1034/520	2150.J2/T4/T5 - 1310131080	12.781
Jumper BV ME5T Tds 1.9	94-	1090/555	2150.J4/T6 - 1312633080	12.783
Jumper BV MG5T 2.0-Ds-Tds-3.5T	94-	1058/520	2150.J3/T7-1310132080	12.782
Jumper Ds 2.8	03-	1435/910	2150.AV-1335052080	13.927
Jumper Ds 2.8	03-	1478/910	2150.AP-1335053080	13.954

DACIA

APPLICATION	YEAR	LENGTH	OEM/COMPARES WITH No.	OUR REF.
Logan bz/ds	04-	1135/690	6001.546867-8200.215.961	10.154

DAEWOO

APPLICATION	YEAR	LENGTH	OEM/COMPARES WITH No.	OUR REF.
Matiz all	98-	851/576	96315242	14.557

DAIHATSU

APPLICATION	YEAR	LENGTH	OEM/COMPARES WITH No.	OUR REF.
Charade 3 cyl. G11-G30-G21	84-87	715/510	3134087713000	12.764
Charade 3 cyl. G100-G101	88-90	725/620	3134087716000/29000	12.765
Charade 3 cyl. G100 (no turbo)	88-	745/620	3134087717000	12.766
Charade 4 cyl.	89-11/90	695/590	3134087108000-3134087721000	12.767
Applause A101-111 1.6	88-	695/590	3134087108000-3134087721000	12.767
Rocky 4WD	90-92	2235/2030	3134087625000	12.768
Charmant 1.3	82-88	1715/750	3134019225000	12.769

FIAT

APPLICATION	YEAR	LENGTH	OEM/COMPARES WITH No.	OUR REF.
124 all	66-	930/735	4141755-4152672	10.382
124 Coupé-Spyder	-73	900/710	4231330	10.385
124 Coupé-Spyder	73-	905/710	4297126	10.404
124-124 Special	68-	935/740	4172525	10.383
124-124 Special-Special T	72-	960/760	4264074-4285116	10.384
125-125 Special	69-	1100/885	4154803-4175027	10.386
126-126 Bis / 500 R	73-	2060/330	4285573	10.353

CLUTCH CABLES

Comandi disinnesto frizione Cables de debrayage Kupplungsseile

APPLICATION	YEAR	LENGTH	OEM/COMPARES WITH No.	OUR REF.
FIAT				
127 (1050 cc)	77-	480/300	4395851	10.363
127 (900 cc 5 doors)	83-	505/343	3933947	10.364
127 (900 cc)	77-81	460/295	5988527	10.391
127 all	-76	440/290	4305713-4235527	10.361
127 all	1-5/77	465/285	4378669	10.362
127 Diesel-Panorama	83-	490/340	4358923	10.365
128 (type 2)	-72	525/330	4234276-4306698	10.367
128 (with servo brake)	73-	530/300	4264454-4305712	10.368
130 B		1495/1270	4330114	11.913
131 all	-3/78	1220/1010	4336454	10.387
131 all (air cond.)-Face Lifting L-CL	4/78-	1150/945	4400487	10.390
131 all-Diesel Bosch	4/78-	1225/1010	4395749-4441735	10.389
131 Diesel Cav		1330/1105	4428452	10.392
132 all	-3/77	1105/885	4154803-4175027-4152672	10.386
132 all-Diesel Bosch	4/77-	1130/885	4380878	10.393
132 Diesel Cav	81-	1160/900	4429871	10.394
N 500 D	-64	2100/330	980504	10.348
N 500 Giardiniera	-64	2215/330	4050451	10.349
500 F Giardiniera	-74	2200/330	4119634-4286563	10.350
500 F Giardiniera	74-	2150/330	4296472	11.708
500 F-L	-72	2100/330	4117460-4178169	10.351
500 L	72-	2070/330	4285285	10.352
500 R	73-	2060/330	4285573	10.353
600	59-	2060/420	982761	10.354
600 D	63-	2050/425	996179	10.355
850 all (with bracket)	65-	1955/510	4112752	10.357
Argenta all-Diesel Bosch	81-	1130/885	4380878	10.393
Argenta Diesel Cav	81-	1130/885	4429871	10.394
Barchetta	95-		46724233	13.966
Bravo / Brava / Marea 1.6-1.8-Tds 75/100	96-	1510/1060	46467631-46472971-46475314/319	12.778
Bravo / Brava 1.4	95-	940/410	46453539-7770205	12.776
Bravo / Brava 1.6-1.8	-6/95	860/360	7771565	12.779
Bravo / Brava 1.6-1.8-1.9 Ds	7-95/98	1545/1105	46448106-46797595	12.777
Cinquecento	94-	780/400	46406436	12.748
Cinquecento (700 cc)	92-	680/400	7632289	10.330
Cinquecento (900 cc)	92-	590/300	7680262	10.341
Nuova 500 1.2	07-	995/650	55183097	14.566
Nuova 500 1.3 Mjtd	07-	1025/640	55196302	14.567
Nuova 500 1.4	07-	1000/625	55210048	14.633
Croma all (modif.)	-88	960/670	82424220	12.064
Croma all (modif.)	89-	920/690	82435483	12.065
Dino		1210/1020	4257001	11.711

CLUTCH CABLES

Comandi disinnesto frizione Cables de debrayage Kupplungsseile

APPLICATION	YEAR	LENGTH	OEM/COMPARES WITH No.	OUR REF.
FIAT				
Doblò	01-	730/250	46816591	14.541
Multipla	98-	866/360	46538236	13.965
Palio	00-		46788229	13.962
Palio / Siena 1.2-1.6	97-	685/250	46522367-46522369-46740887	13.504
Palio 1.6 16v	00-		46740888	13.955
Palio 75 1.2/Siena/Strada	97-	787/307	46736944	13.944
Palio Ds	97-	725	46522370	13.508
Palio-Strada			46781018-46558766	13.890
Panda 30	80-	625/450	4406586	11.326
Panda 30 (modif.)	80-	600/430	4406586	10.358
Panda 45	80-	515/300	4406587	10.359
Panda 750-1000	91-	565/375	7706794	11.710
Panda 750-1000-4X4-Diesel	86-	565/370	7550409-7555958	10.360
Panda IE Weber-Maquillage	7/91-	585/390	7702089	12.142
Nuova Panda 1.1 8V – 1.2 8V	03-	995/650	55183097	14.566
Nuova Panda 1.3 Mjtd 51 Kw	03-	1025/640	55196302	14.567
Nuova Panda 1.4 16v	03-	1000/625	55210048	14.633
Punto all	3-6/94	855/450	46437478	12.773
Punto all	7/94-	860/450	46451736-46469621-7780036-46461939	12.774
Punto all (exc. GT-TD)	93-94	850/435	7735823-7798973	12.139
Punto GT-TD	93-94	705/220	7738397-7780034	12.140
Punto Tds	97-	700/220	46461941	13.507
Regata all	-83	640/410	5967096	10.373
Regata all	-84	620/395	7542416	10.374
Regata all	85-	620/395	7556324	10.375
Regata Diesel	85-	600/395	7559911	10.376
Regata Turbodiesel	-3/87	670/385	7584093	11.290
Regata Turbodiesel-1.6 IE	4/87-	660/375	7616775	11.291
Ritmo (new model) 60-70-80	1/85-	625/395	7556324	10.375
Ritmo 100-Diesel	85-	600/395	7559911	10.376
Ritmo 105TC-125TC-130TC-Diesel	10/82-	620/395	5977381-7536184	10.377
Ritmo 130TC	1/85-	620/410	7558218	10.378
Ritmo 60-65 all	78-	630/410	4379430	10.370
Ritmo 60-65-75 (with servo brake)	80-	630/380	4445326-4419451	10.371
Ritmo all (exc. Diesel)	5/81-	625/390	5936838	10.372
Ritmo all (exc. Diesel)	10/82-	640/410	5967096	10.373
Ritmo all (exc. Diesel)	1/84-	620/395	7542416-92511290	10.374
Ritmo Diesel	-4/81	575/330	4431992	10.379
Ritmo Diesel	5/81-	580/330	5937115	10.380
Seicento 1108 Mpi	98-	615/300	46771188	11.120
Seicento all	92-	590/300	7680262	10.341
Seicento Sporting	94-	780/400	46406436	12.748
Tempra 1.6 Brasil		620/395	7556324	10.375
Tipo / Tempra 1.6 IE Bosch-1.7 Ds	90-	735/350	7690073-7710210-7722749	11.915
Tipo / Tempra all	94-	730/310	7784315	12.775
Tipo / Tempra Turbodiesel	89-	775/350	7649509-7670999-7722751	11.496

CLUTCH CABLES

Comandi disinnesto frizione Cables de debrayage Kupplungsseile

APPLICATION	YEAR	LENGTH	OEM/COMPARES WITH No.	OUR REF.
FIAT				
Tipo 1.8-2.0-Ds-Tds/Tempra 1.8-2.0-Ds-Tds	90-	760/340	7785747	14.558
Tipo all	88-	710/345	7610378-7674443	11.287
Ulysse 2.0 – 2.2 Jtd modif.	00-	1000/660	2150.AN	11.130
Ulysse 2.0 – 2.2 a/a	00-	1003/643	1487725080-2150.AN	11.101
Ulysse 2.0 16v modif.	95-	970/655	1487268080-2150.AC	11.121
Ulysse 2.0 16v a/a	00-	973/632	1487268080-2150.AC	11.068
Ulysse 2.0-TDS modif.	95-	762/332	1476637080-479128080-2150.S4	13.505
Ulysse 2.0-TDS a/a	95-	762/332	2150.S4-1476637080-1479128080	11.014
Ulysse 2.1TDS modif.	96-	1095/750	1476128080-2150.P6	13.502
Ulysse 2.1TDS a/a	96-	1095/750	1476128080-2150.P6	11.059
Ulysse TB a/a	95-	854/489	1476638080-1480346080-2150.T1	11.015
Ulysse TB modif.	95-	854/489	1476638080-1480346080-2150.T1	13.506
Uno Turbo IE	10/87-	695/335	7599190	11.289
Uno 1.3 (Sevel Argentina)	91-	655/280	46588890	12.770
Uno 1.3-1.4-Turbo IE-Tds-Diesel 1.7	90-93	630/350	7709460	11.498
Uno 1.6 (Sevel Argentina)	91-	650/270	46590638	12.771
Uno 900-1.0-1.1 (exc. Trend)	93-	810/455	7727939	11.916
Uno 900-1.0-1.1-Selecta-Trend	93-	685/330	7711880-7781085	12.141
Uno 900-1.0-1.1-Trend	9/89-	700/345	7679548	11.497
Uno all	83-	630/330	4444079	10.369
Uno all-Diesel 1.3-Tds-Sting-1.0-1.1	11/86-93	630/340	7592915	11.284
Uno CS / Duna all	87-	650/355	5963181	10.381
Uno CS / Duna all	89-	650/380	7515915	11.709
Uno CS-Premio-Pick Up Brasil	91-	630/350	7520132-50007676	12.704
Uno Diesel 1.3 cc (R/89)	9/89	630/350	7677537	10.366
Uno Diesel 1.7	87-	650/340	7628544	11.292
Uno Diesel 1.7	94-	640/360	7781087	12.703

FIAT Commercial vehicle

Campagnola Benz.	-79	1450/1170	1377015	10.399
Campagnola Diesel	80-	1270/1020	4458685	10.400
Ducato all-Talento Diesel	81-	1200/920	4460471-7724708	10.401
Ducato Benz. 10/14-2.5 Ds	94-	1035/540	1310131080-2150.J2/T4	12.781
Ducato Benz. 18-Ds 2.5 Tdi/Eco	94-	1080/650	1310132080-1318446080-2150.J3/T7	12.782
Ducato Ds-Tds 2.0	94-	1060/550	1312633080-2150.J4/T6	12.783
Ducato Jp-Psa	94-01	1075/535	1318449080-1311068080	13.484
Ducato 1.9 Td gear MI	98-	1480/925	1321581080-132967280-	13.954
Ducato Ds	03-		1335053080-2150.AP/AZ	
Ducato Ds 2.8	98-	1438/910	1322174080-1335052080-	13.927
Ducato Ds	03-		2150.AV	
Ducato Diesel ch.6144101-	6/01-	1075/660	1336423080	11.106
Daily / Grinta	-11/94	1205/995	93800352	10.402
Daily / Grinta	12/94-	1190/995	93805586-93802517	10.403
Daily / Grinta Turbo (prima serie)	3/85-	1250/990	93807157	11.288
Daily Turbo 45.10-49.10	88-	1125/950	93807127	11.499
Daily 35.10 (seconda serie)-49.10		1120/955	93809100-93812661	12.144

CLUTCH CABLES

Comandi disinnesto frizione Cables de debrayage Kupplungsseile

APPLICATION	YEAR	LENGTH	OEM/COMPARES WITH No.	OUR REF.
FIAT Commercial vehicle				
Daily	-92	1100/920	93820871	12.786
New Daily 35.8-49.10-49.12 GD	96-		93820874	13.967
Fiorino 900 cc	77-	475/295	5988527	10.391
Fiorino 900-1050 cc	81-	480/300	4395851	10.363
Fiorino Diesel – Spazio (Sevel Argen.)	83-	490/340	4358923-1481583	10.365
Fiorino Diesel	89-	650/380	7515915	11.709
Fiorino Benz.-Diesel-Penny	88-	650/380	5963181	10.381
Fiorino Benz.-Diesel	6/91-93	644/293	7520132-50007676	12.704
Fiorino Benz.-Diesel	94-	660/310	7521110	12.784
Fiorino Benz.-Diesel	97-	680/220	50007727	13.946
Fiorino Benz.-Diesel	98-	700/215	50011681	13.936
Scudo 1.6 Ds modif.	95-	765/350	1476637080-2150.S4	13.505
Scudo 1.6 Ds a/a	95-	762/332	1476637080-2150.S4	11.014
Scudo TD modif.	95-	855/500	1476638080-2150.T1	13.506
Scudo TD a/a	95-	855/500	1476638080-2150.T1	11.015
Scudo 1.9 TDS – 2.0 Bz modif.	95-	970/655	1487268080-2150.AC	11.121
Scudo 1.9 TDS – 2.0 Bz modif.	95-	937/632	1487268080-2150.AC	11.068
Scudo 2.0 JTD 110 cv CF3 8v modif.	95-	1000/660	1487725080-2150.AN	11.130
Scudo 2.0 JTD a/a	95-	1003/643	1487725080-2150.AN	11.101
Scudo 2.1 TDS modif.	97-	1095/750	1476128080-2150.P6	13.502
Scudo 2.1 TDS a/a	97-	1095/750	1476128080-2150.P6	11.059
242 all	77-	2120/1940	5437678	10.398
850T-900T-900E		2650/480	4137242	10.397
600 D-M	63-	2660/430	4063590	10.395
600 T	-69	2660/400	4109109	10.396

FORD

Capri 1.3-1.6	72-73	1100/925	1523359	10.412
Capri 1.6	75-	1090/970	1555138-6066670	10.413
Capri 1.6-2.0 Mk I	70-74	1115/950	1486791-1537014	11.919
Escort / Orion 1.6 I	83-	1380/1100	6140343-83AB7K553AA	11.500
Escort / Orion 1.6/1.8/1.8 Ds	90-92	815	6779976-6900821	13.791
Escort / Orion all	80-	1230/945	6091957-6139192	10.409
Escort / Orion all	86-	740/475	6082434-6166128	11.501
Escort / Orion all (no Abs)	9/90-	810/520	6575413-91AB7K553AD	11.712
Escort / Orion all (with Abs)	9/90-	1010/700	6492352-91AB7K553EA	11.917
Escort / Orion EA	90-95	786/465	1016071-94AB7K553AB	13.972
Escort all	-75	980/840	1475933	10.407
Escort all	75-	1010/810	1561360	10.408
Escort FA (HCS-B5-IB5) TR-CVH 1.6	95-01	793/465	1038238-94AB7K553AC	13.974
Escort FA (HCS-B5-IB5) Zetec – E	95-01	803/465	1038239-6789186-94AB7K553FB	13.973
Escort FA Zetec 1.8 Efi-DOHC Efi 16v – DS 1.8	95-01	862/440	1038241-94AB7K553HC	13.975
Fiesta all	76-	670/430	6046205-6066678-6109041	10.405
Fiesta all	89-	710/450	6174503-6612561	11.502

CLUTCH CABLES

Comandi disinnesto frizione Cables de debrayage Kupplungsseile

APPLICATION	YEAR	LENGTH	OEM/COMPARES WITH No.	OUR REF.
FORD				
Fiesta all (with servo brake)	76-	670/430	6046206-6066679-6143701	10.406
New Fiesta 16V	93-	680/360	6900282	12.787
Granada 2.0	76-77	1110/850	6066680	11.926
Granada 2.0	78-	1140/860	1610384	11.927
Granada 2.3-2.6	72-	1250/1055	6041089	11.928
Granada 2.5-2.8	78-	1270/970	6066681-6066684	10.421
Granada Diesel	76-	1255/980	6066685	12.239
KA (II) all 1.2	11/08-	995/625	1558930	14.566
KA (II) all 1.3 Jtd	11/08-	1028/625	1558931	14.567
Mondeo 1.6-1.8	93-	670/410	6966930	12.788
Mondeo Diesel	93-	670/410	7105817	12.789
Scorpio 1.8-2.0-2.0 I	85-	1400/1100	6153883-6163882	11.337
Scorpio 2.0i	90-91	1590/1300	6193139-6608690-6191795	13.971
Scorpio 2.3-2.6-2.8	85-	1320/1000	6156055	11.506
Scorpio Diesel	83-87	1435/1100	6122136-83BB7K553GC	11.335
Scorpio Diesel	88-	1400/1100	6191953-6608691	11.509
Sierra 1.3-1.6	82-	1190/890	6124274-83BB7K553AD	10.417
Sierra 1.3-1.6 Type E	84-	1175/900	6142026	11.930
Sierra 1.6	83-84	1230/970	6128761-83BB7K553JA	11.333
Sierra 1.6	84-	1200/1000	6142027-6151767	11.503
Sierra 1.6	87-	1180/865	6178916	12.790
Sierra 1.8-2.0	84-	1415/1130	1629947-83BB7K553EF	11.504
Sierra 1.8-2.0	87-	1545/1270	6166222-6194817	11.505
Sierra 1.8-2.0	90-	1430/1145	1647679	12.243
Sierra 2.0	82-	1415/1080	6128542-83BB7K553EE	10.418
Sierra 2.0	83-	1190/900	6120915-83BB7K553EC	11.334
Sierra 2.0i DOHC no conditioner	89-		6754367	13.969
Sierra 2.0i DOHC with conditioner	89-		6468330	13.968
Sierra 2.8	87-89	1380/1075	6166225-6191368	13.970
Sierra 2.8 (6 cyl.)	84-	1320/1000	1629948-6156055	11.506
Sierra Diesel	83-	1435/1100	6122136-83BB7K553GC	11.335
Sierra Diesel	87-	1400/1100	6156056	11.507
Sierra XR4 I	-9/82	1350/970	1623964-83BB7K553FF	11.931
Sierra XR4 I	10/82-	1350/1000	6128543-6131308	11.932
Taurus 1.3	77-	1220/990	1537005-6066664	10.415
Taurus 1.6	77-	1220/990	6058146-76BB7K553HB	12.238
Taurus 2.0	80-	1260/970	6085366-6103198	11.924
Taurus 2.0-2.3 V6	80-	1230/965	6085364-6103197	11.925
Commercial vehicle				
Transit Diesel	-75	1035/830	1538102-71VB7K553A2B	10.423
Transit 1.6 OHV	75-	1160/925	6040585-75VB7K553BIB	11.934
Transit Diesel	75-	1200/1000	6024977-75VB7K553E2A	10.424
Transit 75-190 Diesel	72-75	1140/960	1538103	11.714
Transit Diesel	76-	1000/760		12.240
Transit Diesel	78-	1280/1045	6046700-78VB7K553DIA	10.425

FORD Commercial vehicle

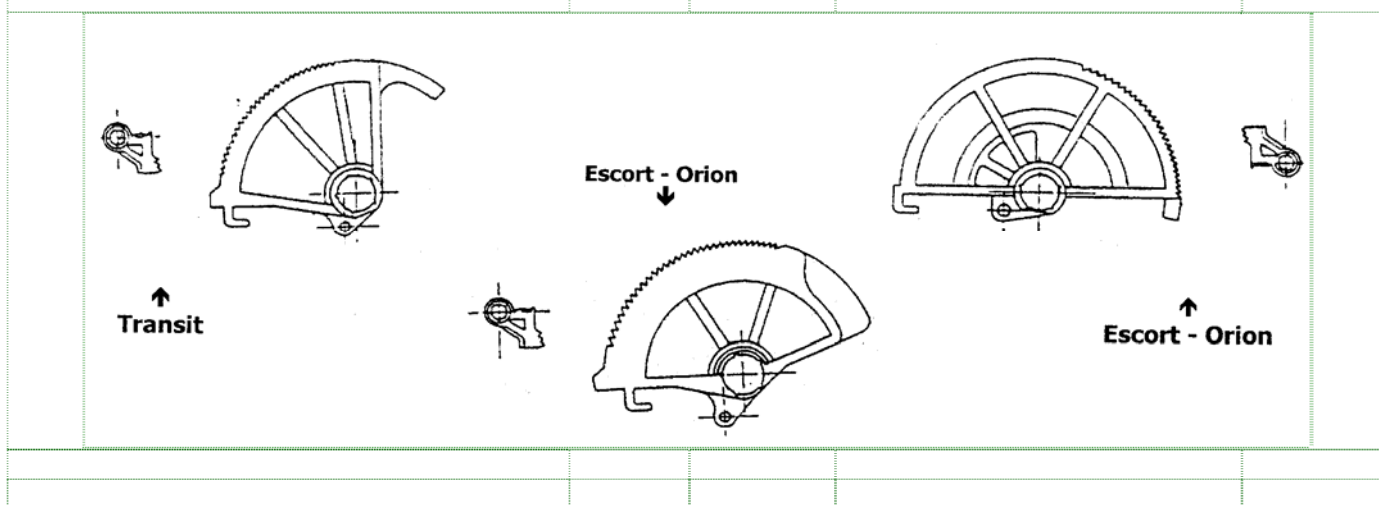
CLUTCH CABLES

Comandi disinnesto frizione Cables de debrayage Kupplungsseile

APPLICATION	YEAR	LENGTH	OEM/COMPARES WITH No.	OUR REF.
Transit Diesel	86-	1400/1140	6161414-6177410	11.331
Transit 1.6-2.0	86-	1160/865	6156501-6158521	11.338
Transit 2.0 all	8/94-	1545	1011805-1086288	13.760
Transit 2.5 Ds all	8/94-	1490	1011806-7343294	13.761

KIT CLUTCH PEDAL - KIT CREMAGLIERA PEDALE FRIZIONE FORD

Fiesta-Escort-Orion all – 2 rondelle+1molla/2 washer+1spring	89-	6186200	14.678
Fiesta-Escort-Orion all – 2 rondelle senza molla/2 washer without spring	90-	6189055-6186203	14.679
Escort all – Senza rondelle e molla /without washer-spring	95-	1029013	14.684
Sierra all Ø 40 – 2 rondelle senza molla/2 washer without spring	98-	6186203	14.678
Sierra all Ø 50 – 2 rondelle senza molla/2 washer without spring		6183029	14.682
Sierra all Ø 45 – 2 rondelle senza molla/2 washer without spring		6183030	14.683
Mondeo all – Senza rondelle e molla/without washer-spring		6706221	14.685
Transit all – Senza rondelle e molla /without washer-spring		6183031	14.681
Escort	95-	1079013	14.686
Transit	94-00	1030879	14.687



HYUNDAI

Atos - Atos Prime 1.0 12v	96-00	41510.02010	13.961
Excel USA model	86-	1280/1050	41510.21010
Pony 1.2-1.4	78-	830/665	41510.11010
Stellar / Sonata	89-	1200/980	41510.31100

CLUTCH CABLES

Comandi disinnesto frizione Cables de debrayage Kupplungsseile

APPLICATION	YEAR	LENGTH	OEM/COMPARES WITH No.	OUR REF.
-------------	------	--------	-----------------------	----------

INNOCENTI

Minitre	82-	670/550	5582.21104	10.426
Minitre Turbo	83-	700/550	5582.21204	10.427
Minitre Diesel	84-	660/520	5582.10104	10.428
Mini 650	85-	655/510	5582.00204	10.429
500	87-	650/550	5582.02104	11.510
990-990 Turbo-990 Diesel	87-	700/540	5582.50204	11.511
Elba all	92-	630/350	7520132	12.704
Elba Csl	91-96	650/380	7515915	11.709

HONDA

Accord	82-84	1570/1420	22910.SA5.670/671	12.215
Accord (exc.SEI)	85-	1800/1650	22910.SA5.672	12.216
Accord all	86-89	1910/1750	22910.SE0.A01	12.218
Accord all	-82	1520/1380	22910.SB2.672	12.209
Accord SEI	85-	1810/1665	22910.SD7.671	12.217
Civic (no 4WD)	84-87	1485/1350	22910.SB6.671	12.212
Civic 1.2	73-79	1290/1150	22910.634.673	12.207
Civic 1.3	80-83	1450/1320	22910.SA0.673/674	12.208
Civic 1.3	84-87	1520/1380	22910.SA3.A01/SB2.672	12.209
Civic 1.5	80-	1460/1300	22910.SA0.670	12.211
Civic 1.5-1.6	75-79	1295/1100	22910.657.670	12.210
Civic 4WD	84-87	1485/1355	22910.SD9.671	12.213
Civic 4WD	88-	1540/1400	22910.SH5.A62/A63	12.793
Civic all	87-	1530/1365	22910.SH3.A05	12.214
Civic Wagon (no 4WD)	88-	1505/1390	22910.SH5.A02/A03	12.794
Concerto 1.4-1.6	-90	1440/1300	22910.SK3.G10/G11	12.792
Prelude	83-87	1450/1300	22910.SB0.670	12.219
Prelude SI	84-87	1965/1810	22910.SF0.671	12.220

ISUZU

KB Trooper Diesel	82-85	1670/1430	8942514683	12.264
KB Van 20-21-22-25-26-27	81-87	1575/1340	8942381851/3	12.263
LUV	80-	1560/1310	94027192-94028795	12.265
Piazza Turbo	90-	940/675	8944675714	12.266

CLUTCH CABLES

Comandi disinnesto frizione Cables de debrayage Kupplungsseile

APPLICATION	YEAR	LENGTH	OEM/COMPARES WITH No.	OUR REF.
LANCIA-AUTOBIANCHI				
A112 all	-4/77	440/290	4305713-4235527	10.361
A112 all	5/77-	465/285	4378669	10.362
A112 all	79-81	480/300	4395851	10.363
A112 all	81-	470/300	82365671	10.430
Dedra 1.6 all	94-	720/340	7781509	11.048
Dedra 1.6 Bosch	5/90-	730/350	7690073-7710210-7722749	11.915
Dedra 1.6-1.8	89-	710/345	7610378-7674443	11.287
Dedra 1.8-2.0-Tds	89-	770/345	7670999-7722751	11.496
Dedra 1.8-2.0-Tds	5/90-	770/345	7691166-7710212	11.332
Dedra 1.8-2.0-Tds	94-	755/340	7766558	12.706
Delta / Prisma 1.3-1.5	79-	695/475	82353561-82401672	10.436
Delta / Prisma 1.3-1.5-1.6-Tds	10/88-	670/380	82456527-82462183	11.713
Delta / Prisma 4WD	86-	645/450	82422002-82446624	11.294
Delta 1.4-1.6	93-	750/400	7756520	12.705
Delta 1.8	93-	770/400	7766558	12.706
Delta HF-GT 1.6	83-86	655/460	82384558-82423334	10.437
Delta HF-GT 1.6	86-	680/400	82421773	11.293
Delta Turbodiesel	94-	770/350	7781507	12.775
Thema modif.	-88	960/710	82424220	12.064
Y all	96-	850/430	46451736-46461939-46469621	12.774
Y10 4WD	92-	630/340	7715688	12.274
Y10 4WD	94-	630/340	7784941	12.708
Y10 all	85-	610/340	5987926	10.431
Y10 all	5/90-	635/345	7704066	11.716
Y10 all	92-	770/450	7715102	12.273
Y10 all exc.4WD	94-	770/440	7786996	12.707
Zeta 2.0 16v CEE F3 modif.	94-02	970/655	1487268080	11.121
Zeta 2.0 16v CEE F3 a/a	94-02	973/632	1487268080	11.068
Zeta 2.0 ie TB-2.0 Tds-2.0 16v modif.	94-02	1095/750	1476128080	13.502
Zeta 2.0 ie TB-2.0 Tds-2.0 16v a/a	94-02	1095/750	1476128080	11.059
Zeta TB modif.	94-02	855/500	1476638080	13.506
Zeta TB a/a	94-02	855/500	1476638080-1480346080	11.015
Beta / Trevi all	75-	740/395	82350878-82310983	10.434
Fulvia 5 speed-Coupé / Flavia 2.0		705/475	81817265	10.433
Gamma	77-	645/370	82345354-82350880	11.715

LADA

Samara (I serie)	-87	720/480	2108.1602210	11.512
Samara (II serie)	87-	735/480	2109.1602210	11.513

CLUTCH CABLES

Comandi disinnesto frizione Cables de debrayage Kupplungsseile

APPLICATION	YEAR	LENGTH	OEM/COMPARES WITH No.	OUR REF.
-------------	------	--------	-----------------------	----------

MAZDA

323 GLC	77-80	700/530	395841150B	12.292
323 GLC	81-85	730/480	BA2941150A	12.293
323 all	86-	765/540	BF6741150C	12.294
626	83-85	760/520	GA9741150D	12.295

MERCEDES

MB 100	87-	1450/1000	631.293.0238/0638	12.326
MB 130/150		1510	631.293.0038	13.762

MITSUBISHI

Colt / Lancer	6/86-	1395/1150	MB484815-MB527467	13.511
Colt / Lancer D	84-5/86	1345/1100	MB527464	13.512
Colt 1.5	92-	1450/1240	MB698993	12.313
Colt all	80-	1345/1150	MB012071	12.312
Galant 1.6	78-	805/580	MB011955	12.317
Galant 1.6-1.8-2.0	85-88	1320/1130	MB012288	12.318
Lancer / Celeste all	80-	1260/1050	MB011949	12.315
L300 Van/Delica	79/86		MB012466	13.978
L300 Van all	87-		MB527400	13.979
Pick-up L200 / Forte LO23-26P 2wd	79-86	825/640	MB012460/12060	13.980
Pick-up L200 / Forte LO23-26P 4wd	79-86	797/609	MB012475	13.981
Pick-up L200 / Forte all	87/90	870/654	MB598411-527073	13.982

NISSAN

Micra	10/82-92	625/420	3067005B00	12.332
Micra	93-	625/410	307705F200	13.513
Almera 2.0 Gti 16v	95-	723/498	307701M200-307702M115- 307701M800-3077064Y01	13.266
Primera 1.6	91-	735/530	3077099J11	13.262
Primera 2.0	91-	695/480	3077097J10	13.263
Primera 2.0 GT	91-	720/500	3077094J10	13.264
Primera P11 drum brake		740/545	30770.2F015	13.985
Primera P11 disc brake		720/505	30770.2F216-2F221	13.986

CLUTCH CABLES

Comandi disinnesto frizione Cables de debrayage Kupplungsseile

APPLICATION	YEAR	LENGTH	OEM/COMPARES WITH No.	OUR REF.
-------------	------	--------	-----------------------	----------

NISSAN

Primera W10-W10 Kombi		765/510	30770.81N00-81N05	13.987
Primera W10 Kombi Abs		765/485	30770.83N00-83N05	13.988
Sunny B11	82-86	670/450	3067004A00	12.328
Sunny B11 Diesel	82-86	720/530	3067017A00	12.329
Sunny B11	89-	770/560	3077065A00-3077084A00	12.330
Sunny B11 / Sentra / Pulsar	86-89	770/560	3077060A01	13.265
Sunny / Sentra / Pulsar 1.4-1.6	91-	723/498	307709B400 3077062Y01/Y10	13.266
Sunny / Sentra / Pulsar 2.0	91-	725/500	3077064Y01/Y10	13.267
Stanza 1.6	82-	645/510	30670D1200	12.331
200 ZX	95-	725/510	307709B400- 3077062Y01/Y10	13.266
Pixo all	09-	665/420	306804A00B-23710M68K01	14.852
Commercial vehicle				
Vanette		1705/1460	30680Y9501	12.333
Kubistar all 1.5 Ds		960/658	3067000QAD	14.569
Kubistar all 1.2/.14		960/680	3067000QAC	13.541

OPEL

Agila 1.0-1.2	01-	690/430	4705606/7-92100789/82	13.989
Agila 1.2 16v mot. XE	04-	675/413	4707843-9216431	14.752
Agila 1.2 mot. XEP	04-	627/355	4707942-55555830	14.728
Agila 1.3 CTDI	04-	660/355	4707845-9216434	14.729
Astra 1.4 8V	9/94-	880/490	669.189-90522146	13.516
Astra 1.4-1.6-1.8-2.0 16V	9/94-	900/490	669.003/5-90522995-90523132	13.517
Corsa all	82-	690/400	669.132/157	10.438
Corsa B / Tigra	93-	730/480	669.186-90446929	12.709
Corsa / Tigra	9/96-	795/410	669.187-90522447	13.515
Corsa 1.0 3 cyl.	89-	840/440	669.019-90578482	13.947
Corsa 1.4	98-	820/440	669.002-90522980	14.727
Vectra all (exc.16V)	89-	835/555	669.161-669.170	11.938
Vectra 16V-D / Calibra	89-	835/490	669.166-90344249	11.939
Vectra 4x4 – Calibra 4x4	92-95		669.179-90423340	14.568
Calibra all	95-	895/450	669.194-90522460	13.518
Omega 1.8-2.0	86-	1210/800	669.149-90223402	11.340
Omega 2.3 Diesel-Turbodiesel	86-	1210/800	669.154-90288756	11.341
Omega 1.8-2.0	87-93	1250/800	669.159-90335385	12.285
Omega 3.0 / Senator 3.0	88-93	1270/830	669.168-90345232	12.711
Omega / Senator	86-88	1210/800	669.151-90288231	13.514

CLUTCH CABLES

Comandi disinnesto frizione Cables de debrayage Kupplungsseile

APPLICATION	YEAR	LENGTH	OEM/COMPARES WITH No.	OUR REF.
OPEL				
Kadett B	66-	795/615	669.021	10.439
Kadett C	73-	960/760	669.046	10.440
Kadett C	75-	1265/1035	669.049	10.441
Kadett C	77-	1260/1070	669.061	10.443
Kadett D all	79-	785/560	669.088	10.444
Kadett D all	81-	800/550	669.124-90157009	10.445
Kadett E all / Astra all	84-	820/520	669.142-90209335	10.446
Rekord C (8 inch.)	-73	870/640	669.031	10.458
Rekord C-D 1.7-1.9-2.0 (8 inch.)	74-	955/785	669.038	10.459
Rekord D 1.7-1.9-2.0 (9 inch.)	74-	945/755	669.042	14.460
Rekord D Diesel	76-	1050/800	669.067-90086817	10.461
Rekord D Diesel	78-	1000/800	669.073-90086966	10.462
Rekord E 1.7-1.9	78-	980/720	669.075-669.121-90092615-90147156	10.463
Rekord E 1.7-2.0-2.2 (ch.100029-)	80-	1030/750	669.096-90125946	11.936
Rekord E 1.8 S-N	83-	1040/800	669.130-90157384	11.514
Rekord E 2.2	83-	1040/750	669.146-90222211	11.937
Rekord E Diesel	79-	1010/750	669.071-90075823	10.465
Rekord E Diesel (-ch.0133688)	-84	1030/760	669.135-90182287	12.375
Rekord E Diesel (ch.0133689-)	85-	1070/785	669.140-90216224	11.339
Ascona B / Manta 1.3	79-	1420/1130	669.084-90086422	10.450
Ascona B / Manta 1.6	-76	1110/900	669.034-669.045	10.451
Ascona B /Manta 1.6-1.9-2.0 (8 inch.)	77-	1190/950	669.053-90280843	10.453
Ascona B / Manta 1.6-1.9	75-	1060/850	669.050-92777760	10.454
Ascona B / Manta 1.6-1.9-2.0	78-	1200/900	669.077/.098-90092494-90147157	10.464
Ascona B Diesel	78-	1370/1095	669.082	10.455
Ascona C-Ascona Diesel	81-	800/550	669.124-90157009	10.445
Ascona C-Ascona Diesel	83-	795/560	669.136-90193980	10.456

OPEL Commercial vehicle

Bedford CF (mot. Perkins)		1810/1630	2701364	10.467
Bedford Rascal (-ch YV609532)		1588/1209	91124889	13.990

POLSKI

Polonez 1.3-1.5		1235/920	4355910	10.480
Polonez II serie		1235/950		13.526
Polonex UT		2077/291	0230102	14.001
126		2060/330	4285573	10.353

CLUTCH CABLES

Comandi disinnesto frizione Cables de debrayage Kupplungsseile

APPLICATION	YEAR	LENGTH	OEM/COMPARES WITH No.	OUR REF.
PORSCHE				
914/4		2580/880	91442340200	13.527
914	69-	2590/880	91442340105	13.528

PEUGEOT

104 all	76-	440/275	2150.39	10.469
104 all	80-	455/280	2150.51	10.470
106 1.1 all	92-	640/400	2150.E0	12.409
106 1.4 all	92-	1275/1030	2150.C9	12.410
106 all servosterzo-powerstering	92-	680/440	2150.E7	13.271
106 Ds	92-96	680	2150.L8/Q3	12.754
106 all modif.	96-	1350/1120	2150.Q5	13.524
106 all a/a	96-	1350/1120	2150.Q5	13.281
106 all powerstering modif.	96-	1474/1237	2150.Q6-96254125	13.525
106 all powerstering a/a	96-	1474/1237	2150.Q6-96254125	13.282
107 1.0 all	05-	1565/1400	2150.CQ	10.999
107 1.4 Ds all	05-	1450/1285	2150.CR	11.000
205 all (gear BH3)	83-	425/260	2150.59	10.471
205 Diesel all (gear BE1)	83-	710/510	2150.65-2150.71	10.472
205 XA-XRA	87/88	775/615	2150.60-2150.68	10.476
205 XS 1.3 (gear BH3)	-7/88	1270/1060	2150.88	11.719
205 950-1.1 cc (gear MA-mot.TU)	-7/88	615/420	2150.85	11.721
205 950-1.1 cc (gear MA)	7/88-	620/430	2150.91	11.722
205 1.3 (gear MA)	7/88-	1270/1070	2150.93	11.723
205 all (gear BH3)	7/88-	430/270	2150.94	11.724
205 Diesel all (gear BE1)	7/88-	715/530	2150.96-2150.98	11.725
205 Diesel (gear BE3)	7/88-89	640/380	2150.A1	12.412
205 Diesel (gear BE3)	7/89-	670/410	2150.A6	12.413
205 1.1 Junior (gear MA)	7/89-	620/435	2150.A8	12.408
205 1.3 (gear MA)	7/89-	1270/1040	2150.C0	12.411
206 all (gear Ma) modif.	98-	680/330	2150.X3	13.747
206 all (gear Ma) a/a	98-	680/330	2150.X3	13.283
206 all (gear BE4) modif.	98-	934/594	2150.X4	13.748
206 all (gear BE4) a/a	98-	934/594	2150.X4	13.284
206 2.0 16v a/a 206 Ds Hdi 90 cv modif.	00-	915/645	2150.Y6-9634309980	13.749
206 2.0 16v a/a 206 Ds Hdi 90 cv a/a	00-	915/645	2150.Y6-9634309980	13.280
206 1.1-1.3-1.6 ch9683- modif.	00-	570/350	2150.AX	13.291
206 1.1-1.3-1.6 ch9683- a/a	00-	580/385	2150.AX	13.487
206 Ds Hdi 90 cv -ch9457 modif.	00-	820/620	2150.AY/AZ	13.295
206 2.0L 138cv ch9583- modif.			9633433280-9646323580	
206 Ds Hdi 90 cv -ch9457 a/a	00-	833/645	2150.AY/AZ	13.488
206 2.0L 138cv ch 9583- a/a			9633433280-9646323580	
206 all benz. ch.10556 a/a	00-	580/337	2150.CK-9652759680	13.292
206 all Ds Hdi ch. 9583 a/a	00-	828/597	2150.CH-9652759480	13.293
304 / 305 all	-6/82	1010/730	2150.45	10.473
305 all	7/82-	705/540	2150.57	10.474

CLUTCH CABLES

Comandi disinnesto frizione Cables de debrayage Kupplungsseile

APPLICATION	YEAR	LENGTH	OEM/COMPARES WITH No.	OUR REF.
PEUGEOT				
305 all (con servosterzo-powerstering)	7/82-	720/565	2150.61	10.475
306 all (gear MA)	93-	675/400	2150.E9	12.414
306 all (gear BE3)	93-	655/330	2150.E8/K3/G9	12.415
306 all mot.XU10J4 (gear BE3)	93-	720/490	2150.F9/K4/L6	13.522
306 Tds 1950 cc (modif.)	94-	750/500	2150.S2/X0/Y2	13.763
306 Tds 1950 cc a/a	94-	725/513	2150.S2/X0/Y2	13.290
306 all mot. XU7 JP gear BE3 a/a	97-	667/314	2150.V9	14.551
306 all 1.3/1.6 (gear MA) modif.	9/99-	610/370	2150.Y7-9635749880	13.296
306 all 1.3/1.6 (gear MA) a/a	9/99-	620/405	2150.Y7	14.559
306 1.8/1.8 Ds-Tds -ch8336 SW Tds a/a	-00	655/366	2150.Y1/L5-9634114380-9622137780	14.560
306 Ds mot XUD 7/9 modif. 306 HDI (ch8337-)	00-	630/350	2150.Y8-9634901780	13.996
306 Ds mot XUD 7/9 a/a 306 HDI (ch8337-)	00-	626/368	2150.Y8-9634901780	13.270
306 Tds mot. XUD97E modif.	00-	698/517	2150.Y9-9634729480	13.997
306 Tds mot. XUD97E a/a	00-	695/490	2150.Y9-9634729480	13.279
306 all mot. XU10J4 gear BE/3 a/a	93-	720/510	2150.L6-2150.K4	13.294
306 1.3/1.6 gear MA a/a	96-99	642/365	2150.H1-9619147580	13.297
306 1.3/1.6 gear MA mod.	96-99	642/475	2150.H1-9619147580	14.853
309 GL (1118-1294 cc)	85-	775/615	2150.68	10.476
309 GR-SR-GT (1580-1905 cc)	85-	710/510	2150.65-2150.71	10.472
309 GL 1.1-1.3	7/88-	780/620	2150.89	11.726
309 (gear MA)	7/88-	1270/1070	2150.93	11.723
309 GR-SR-GT	7/88-	715/530	2150.96-2150.98	11.725
309 1.1-1.3 (gear MA)	89-	620/435	2150.A8	12.408
309 1.6-1.9-GTI-Diesel (gear MA)	89-	670/410	2150.A6	12.413
405 1.3	88-	1335/1130	2150.87	11.720
405 all (exc. 1.3) -ch. 8102525	88-	750/545	2150.81	11.728
405 all (exc. 1.3) ch. 8102526-	88-	1370/1130	2150.79	11.727
405 all (exc. 1.3-TD)	7-12/92	1355/1100	2150.E5	12.416
405 TD-M16	-12/92	1310/1120	2150.E3	12.417
405 (air cond. model)	7-12/92	1455/1200	2150.F4-E4	12.418
405 1.6-1.8-2.0-1.9 Ds modif.	93-	1460/1200	2150.G2/G5-0815705 6815081-96182662	13.521
405 1.6-1.8-2.0-1.9 Ds a/a	93-	1458/1185	2150.G2/G5-0815705 6815081-96182662	13.285
405 TD-M16 modif.	93-	1323/1106	2150.G3-96182664	13.998
405 TD-M16 a/a	93-	1323/1106	2150.G3-96182664	13.286
406 all 2.0 16V-1.9 TD modif.	96-	855/540	2150.N2-2150.W4-96192573	13.519
406 all 2.0 16V-1.9 TD a/a	96-	857/520	2150.N2-2150.W4-96192573	13.288
406 all 1.6-1.8-1.8 16V modif.	96-	810/415	2150.N1-2150.W3-96192572	13.523
406 all 1.6-1.8-1.8 16V a/a	96-	811/406	2150.N1-2150.W3-96192572	13.287
406 Tds (XU95D) gear BE3 modif.	98-	800/410	2150.W5	13.994
406 Tds (XU95D) gear BE3 a/a	98-	811/390	2150.W5	13.289
505 all	-81	695/465	2150.50	10.478
505 all	82-	790/465	2150.54-2150.C5	10.479
605 all (modif.)	-90	783/486	2150.A4	13.999
605 BE3 (modif.)		826/516	2150.A3-2150.CC	14.000

CLUTCH CABLES

Comandi disinnesto frizione Cables de debrayage Kupplungsseile

APPLICATION	YEAR	LENGTH	OEM/COMPARES WITH No.	OUR REF.
PEUGEOT				
806 / Expert 2.1 TDS BV ML modif.	97-	1095/760	2150.P6-1476128080	13.502
806 / Expert 2.1 TDS BV ML a/a	96-	1095/750	2150.P6-1476128080	11.059
806 / Expert 1.6 DS BV/BE3/BE3R modif.	95-	762/332	2150.S4-1476637080-1479128080	13.505
806 / Expert 1.6 DS BV/BE3/BE3R a/a	95-	762/332	2150.S4-1476637080-1479128080	11.014
806 / Expert 2.0TB-1.9TDS BV ME modif.	95-	854/489	2150.T1-1476638080-1480346080	13.506
806 / Expert 2.0TB-1.9TDS BV ME a/a	95-	854/489	2150.T1-1476638080-1480346080	11.015
806 / Expert 1.9DS-2.0 BE4R modif.	00-	970/655	2150AC-1487268080	11.121
806 / Expert 1.9DS-2.0 BE4R a/a	00-	793/632	2150AC-1487268080	11.068
806 / Expert 2.0 Hdi BV ML5C modif.	00-	1000/660	2150.AN	11.130
806 / Expert 2.0 Hdi BV ML5C a/a	00-	1003/643	2150.AN-1487725080	11.101

PEUGEOT Commercial vehicle

J5 all	81-	1190/920	2150.55-2150.E2	10.401
Boxer 2.0 – Ds 1.9	94-	1035/540	2150.J2/T4-1310131080	12.781
Boxer Tds 1.9	94-	1060/550	2150.J4/T6-1312633080	12.783
Boxer 2.0 – Ds-Tds-3.5T	94-	1080/650	2150.J3/T7-1310132080	12.782
Boxer Ds 2.8	03-	1435/910	2150.AV-1335052080	13.927
Boxer Ds 2.8	03-	1478/910	2150.AP-1335053080	13.954
Expert 2.1 TDS BV ML modif.	97-	1095/760	2150.P6-1476128080	13.502
Expert 2.1 TDS BV ML a/a	96-	1095/750	2150.P6-1476128080	11.059
Expert 1.6 DS BV/BE3/BE3R modif.	95-	762/332	2150.S4-1476637080-1479128080	13.505
Expert 1.6 DS BV/BE3/BE3R a/a	95-	762/332	2150.S4-1476637080-1479128080	11.014
Expert TDS BV ME modif.	95-	854/489	2150.T1-1476638080-1480346080	13.506
Expert TDS BV ME a/a	95-	854/489	2150.T1-1476638080-1480346080	11.015
Expert 1.9 DS-2.0 BE4R modif.	00-	965/655	2150AC-1487268080	11.121
Expert 1.9 DS-2.0 BE4R a/a	00-	973/632	2150AC-1487268080	11.068
Expert 2.0 HDI 95cv BV/ML 5C modif.	00-	1000/660	2150.AN	11.130
Expert 2.0 HDI 95cv BV/ML 5C modif.	00-	1003/643	2150.AN	11.101
Partner all 1.4/1.6 exc. 1.8 DS modif.	97-	635/340	2150.R1	13.501
Partner all 1.4/1.6 exc. 1.8 DS a/a	97-	635/340	2150.R1	11.003
Partner all 1.8 modif.	97-	660/310	2150.V1	13.758
Partner all 1.8 a/a	97-	660/310	2150.V1	14.553
Partner Diesel all modif.	97-	667/314	2150.R2	13.759
Partner Diesel all a/a	97-	667/314	2150.R2	14.554
Partner all 1.6 16v modif.	98-	890/700	2150.AH	10.997
Partner all 1.6 16v a/a	98-	890/700	2150.AH	13.959
Partner all gear BE4 modif.	03-	895/700	2150.CF-9648780380R	11.004
Partner all gear BE4 a/a	03-	895/700	2150.CF/CX/CS-9648780380R 9661239180	14.555
Partner all gear BE4 a/a	07-	885/690	2150.CY	14.850

CLUTCH CABLES

Comandi disinnesto frizione Cables de debrayage Kupplungsseile

APPLICATION	YEAR	LENGTH	OEM/COMPARES WITH No.	OUR REF.
RENAULT				
Clio 1.1-1.2-1.4	90-	1035/645	7700.802.682	11.731
Clio all	93-	1035/645	7700.809.961-7700.832.877	13.536
Clio 1.2/.1.4/1.6/1.9 Ds	98-	965/680	7701.421.960	13.541
Clio all	02-	1487/1169	8200.098.019	14.569
Twingo all	92-	970/600	7700.823.050	12.455
Twingo all	98-		7700.430.111	13.765
Megane 1.4-1.6-Coach-Scenic	9/95-	970/615	7700.843.206-7704.429.330	13.276
Megane 2.0 16V-Coach 2.0 16V	9/95-	970/615	7700.843.188	13.277
Megane Dti – Scenic Dti	97-	970/615	7700.423.684-8200.731.700	13.764
Espace all	84-	715/445	6025.002.833-6025.002.522	11.295
Espace Diesel	84-	715/445	6025.002.832	11.296
Espace all	91-	1300/1100	6025.103.091-6025.170.727	12.450
Espace Diesel	91-	1295/1100	6025.103.090-6025.170.728	12.451
Espace Diesel all modif.	12/95-	1320/1130	6025.171.255	13.540
Espace III a/a	91-96	1318/1132	6025.171.256	14.585
Espace III a/a	97-02	1072/858	6025.304.915	14.586
Supercinque / Express	84-	1085/665	7700.761.088	10.490
Supercinque / Express	87-	1085/665	7700.783.813-7700.859.233	11.516
Supercinque / Express	95-	1050/650	6006.004.557	13.535
R19 all	88-	1045/620	7700.787.470-7700.811.013	11.517
R19 all	95-	1010/610	7700.834.725	13.272
R18 TL-GTL	-79	1065/860	7700.636.494	10.496
R18 TS-GTS	-79	1520/1315	7700.636.493-7700.665.849	10.498
R18 TL-GTL-Fuego	80-	1075/865	7701.349.128-7704.002.279	10.497
R18 TS-GTS-Fuego	80-	1525/1320	7701.349.971-7704.002.282	10.499
R18 Turbo	-81	950/725	7701.349.129	10.500
R18 Diesel-Fuego TX-GTX-TurboD	81-	1030/830	7700.688.586-7704.002.286	10.501
R18 TX-GTX-TD-GTD-Fuego	83-	1000/800	7700.761.516	11.515
R18 GTS-Turbo-Break	81-	1470/1235	7700.696.229-7704.002.290	12.442
Fuego (con servosterzo-powerstering)		1465/1210	7700.672.614	13.273
R21 TL-TS-GTS-RS-TSE	86-	1140/880	7700.756.971	11.342
R21 TXE-RX	86-	1120/875	7700.769.247	11.343
R21 TD-GTD-TDX	86-	1400/1130	7700.763.191	11.344
R21 TL-TS-GTS-RS-TSE	88-	1180/885	7700.781.858-7700.803.913	11.518
R21 TXE-RX-Nevada	88-	1230/890	7700.763.190	11.519
R21 TD-TDX	89-	1225/900	7700.799.501	13.274
Laguna 3.0 V6 modif.	94-	1150/730	7700.840.097-7700.428.748	13.537
Laguna 3.0 V6 a/a	94-	1150/730	7700.432.383	13.481
Laguna all exc. 3.0 V6 modif.	94-	1248/880	7700.840.014-7700.847.976	13.539
Laguna all exc. 3.0 V6 a/a	94-	1248/880	7700.413.205-206	13.483
Laguna 1.9 Dti modif.	94-	1197/865	8200.018.668	14.003
Laguna 1.9 Dti a/a	94	1200/860	8200.018.668	13.482
Laguna all exc. 2.0-1.9 dti a/a	98-	1196/870	7700.431.360	14.588
Safrane all modif.	11/92-	1295/920	7700.813.657-7700.827.853	13.538
R4 L-TL	-6/66	825/675	8546540	12.443
R4 L-TL	67-72	800/705	7700.553.736	10.481

CLUTCH CABLES

Comandi disinnesto frizione Cables de debrayage Kupplungsseile

APPLICATION	YEAR	LENGTH	OEM/COMPARES WITH No.	OUR REF.
RENAULT				
R4 L-TL-Cargo	73-	1060/975	7700.560.091-7704.001.996	10.482
R4 GTL-F6 Cargo	79-	670/520	7700.620.231-7704.001.778	10.483
R4 GTL-F6 Cargo	-10/82	715/550	7700.553.737	10.484
R5 L (dashboar gear)	72-	970/795	7700.539.864	10.485
R5 L	73-	690/500	7700.637.793	10.486
R5 TL-TS (con ammortizzatore)	75-79	630/480	7700.585.084	10.487
R5 TL-TS (senza ammortizzatore)	-79	630/480	7700.539.862-7700.653.308	10.488
R5 TL-TS-GTL-Alpine	80-	610/480	7700.659.964-7704.001.872	10.489
R6 (5 CV)	67-	800/705	7700.553.736	10.481
R6 (5 CV)	73-	1060/975	7700.560.091-7704.001.996	10.482
R6 (6 CV)	70-	715/550	7700.553.737	10.484
R9 / R11 all	-81	1030/620	7704.001.506	10.491
R9 / R11 all	84-	1085/665	7700.761.088	10.490
R9 / R11 all	87-	1085/665	7700.783.813-7700.859.233	11.516
R12 L-TL	-72	750/590	7701.348.555	10.492
R12 L-TL		710/550	7701.457.093	12.444
R12 TS / R15	-72	865/710	7700.568.945-7701.454.202	10.493
R12 L-TL-TS / R15	75-	785/635	7700.577.706-7701.348.399	10.494
R14 all	76-	620/400	7701.348.493	10.495
R15 / R17	70-74	680/510	7700.550.773-7700.611.451	11.942
R16 1150 cc	-68	540/360	7700.500.419-09842538/613	12.441
R16	69-	560/380	7700.547.794	11.729
R20 TS-Diesel	-80	1310/1110	7700.672.631	10.502
R20 TS-Diesel / R30 Turbodiesel	81-	1310/1110	7700.678.753-7704.001.240	10.503
R25 TS-GTS	84-	1320/1140	7700.757.740	11.730
R25	89-	1345/1120	7700.795.943-7700.804.476	13.275

Commercial vehicle

Kangoo 1.2-1.4-1.9 Ds	97-	960/680	7700.417.050	13.541
Kangoo 1.5 Ds all	6/01-	960/658	8200.098.019	14.569
Express all	-94	1050/648	7700.859.233-7700.783.813	11.516
Express all	95-	1050/636	6006.004.557	13.535
Master TA	81-	1260/1040	5000.390.299	12.439
Master TP	81-	1930/1650	5000.390.303	11.300
Master TR-AV	-82	1300/1040	5000.390.326	11.299
Master TR-AV 5 speed	82-	1400/1150	5000.395.159	11.946
Master TR-AV Turbo	89-	1360/1180	7700.745.352	11.947
Master PR-AR	89-97	1990	7700.745.354	13.766

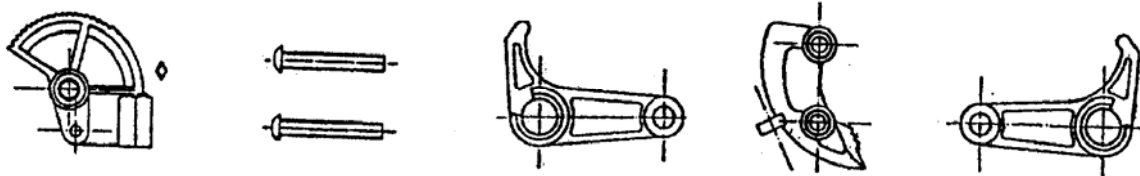
CLUTCH CABLES

Comandi disinnesto frizione Cables de debrayage Kupplungsseile

APPLICATION	YEAR	LENGTH	OEM/COMPARES WITH No.	OUR REF.
RENAULT Commercial vehicle				
Trafic TA 1-3-4-5	81-	720/470	7700.690.094	11.297
Trafic TP 3-5-6-8	81-	750/490	7700.690.096	11.298
Trafic	81-	1140/680	7700.690.097	11.944
Trafic	11/87-	725/480	7700.743.104	12.452
Trafic TR	88-	1400/1100	7700.736.293-7700.747.426	11.945
Trafic 2.4-2.5	90-	1270/1050	7700.744.556	12.453
Trafic 2.0 Benzina-2.1 Diesel	90-	1365/1110	7700.738.424	12.454
Trafic Pr/Ar 1.9 Ds	97-	1290	7700.310.086	14.004
Estafette all	72-	780/510	7700.548.640	11.943
SG2 / SG4 Diesel	-6/80	1285/550	5000.002.223-5000.515.126	12.447
SG2 Benzina		1285/710	8546097	12.449

KIT CLUTCH PEDAL - KIT CREMAGLIERA PEDALE FRIZIONE RENAULT

Trafic kit completo				14.741
Trafic solo cremagliera			7700.679.621	14.742
R21 all kit completo			7701.464.301	14.743
Megane kit completo			7701.470.150	14.744



CLUTCH CABLES

Comandi disinnesto frizione Cables de debrayage Kupplungsseile

APPLICATION	YEAR	LENGTH	OEM/COMPARES WITH No.	OUR REF.
ROVER				
220 / 420 all ch.231762- modif.	92-	875/610	GVC5050	13.510
214 / 414 all modif.	10/89-	735/480	GVC5044	13.509
213 1.3 all modif.	84-89		GVC5005	13.767
216 1.6 modif.	84-9/89	947/728	GVC5003	13.977
220 / 420 all (-ch. 231761)	89-	1440/1300	GVC5053	12.792
216 / 416 GSI	89-	1415/1280	GVC5030-GVC5039	13.261
Metro	84-92	1130/1080	GVC5021	13.259
Metro/100 Ds 1.4/.15 all modif.	83-84	835/872	GVC5056	13.976
Maestro	83-84	1190/950	ADU6205	13.260

SAAB

900 4 cyl/900 6 cyl all modif.	94-	812/479	4490181-4901724-4490199	14.005

SEAT

Toledo all modif.	92-	831/516	191.721.335AB	13.550
Toledo all a/a	92-	820/550	191.721.335AB	12.746
Arosa 1.0 modif.	98-	1073/833	6X1.721.335-6N1.721.335D/J	14.013
Arosa w/Esp modif.	3/01-	1073/733	6N1.721.335K	14.007
Ibiza / Cordoba 1.4-1.6	95-		6K1.721.335G	
Ibiza 1050 cc-1.4-Cordoba 1.4	9/96-	1065/810		12.797
Ibiza / Cordoba 1.4 all	99-		6K1.721.335H	
Ibiza / Cordoba 1.6-1.8 a/a	93-	830/630	6K1.721.335B	12.798
Ibiza / Cordoba Ds a/a	93-	860/650	6K1.721.335C	12.799
Ibiza / Cordoba 1.4-1.6 modif.	93-94	1097/823	6K1.721.335A	13.542
Ibiza / Cordoba 1.4-1.6 a/a	93-94	1097/823	6K1.721.335A	13.496
Ibiza / Cordoba 1.6-1.8-Ds modif.	93-	865/610	6K1.721.335B/C	13.543
Ibiza / Cordoba 1.6/1.8 Tds modif.	9/96-	1300/985	6K1.721.335L	13.768
Ibiza / Cordoba 1.6/1.8 Tds a/a	9/96-	1300/985	6K1.721.335L	13.497
Ibiza / Cordoba 1.6/1.8 Tds term. T modif.	9/97-	1350/1016	6K1.721.335J	13.937
Ibiza / Cordoba 1.6/1.8 Tds term. T a/a	9/97-	1340/1028	6K1.721.335J	13.498
Ibiza / Cordoba 1.4-1.6	99-	985/715	6K1.721.335Q/T/AA	14.008
Ibiza Junior 903 cc	87-91	590/300	SE021126201	12.524
Ibiza Junior 903 cc	91-92	600/300	SE021126201A	11.520
Ibiza Diesel	3/83-	580/330	X059371150	10.380
Ibiza / Ronda / Malaga all exc.Ds	83-86	640/390	SE022126201-3943010	10.507
Ibiza / Ronda / Malaga all exc.Ds	87-	620/365	SE022126201A-39553500	11.732
Ibiza / Ronda / Malaga Diesel	87-	580/330	SE138126201A-39553510	11.733

CLUTCH CABLES

Comandi disinnesto frizione Cables de debrayage Kupplungsseile

APPLICATION	YEAR	LENGTH	OEM/COMPARES WITH No.	OUR REF.
SEAT				
Malaga Benz.	-90	620/340	X03970398	12.525
Malaga Benz.	90-	1100/730	SE023126201A	12.522
Malaga Diesel	90-	900/620	SE023126201B	12.523
Ronda 1.2-1.5	-3/83	625/390	X059368380	10.372
Ronda Diesel	3/83-	580/330	X059371150	10.380
Marbella 4 speed	-89	520/350	SE141126201A	10.359
Marbella 5 speed	-89	565/410	SE141126201B	11.301
Ritmo 60		630/410	RF1262012	10.370
Ritmo 65	-81	630/380	X044453260	10.371
Ritmo	-83	625/339	X059368380	10.372
Ritmo Diesel	5/81-	575/330	X044319920	10.379
Ritmo Diesel	3/83-	580/330	X059371150	10.380
127	-8/75	440/290	HB12623100	10.361
127	9/75-	465/285	HB12623101	10.362
127 L-CL	78-	475/295	HH12623104	10.363
127 Fura	84-	505/343	X039339470	10.364
131	-2/78	1220/1010	JA12620100	10.387
131	3/78-	1230/1010	JA12620101	10.389
132	-7/77	1100/880	GE12623100	10.386
133 all		1954/475	EA12623109	10.357

SEAT Commercial vehicle

Terra 4 speed	-89	520/310	SE141126201A	10.359
Terra 4 speed	90-	530/310	SE029110699C	13.938
Terra 5 speed	-89	565/380	SE141126201B	11.301
Terra Diesel	90-	580/350	SE029110699	12.521
Inca B all	95-96	1065/804	6K1.721.335G/H	12.797
Inca Ds all modif.	95-96	865/598	6K1.721.335B/C	13.543
Inca mot. AKK+LD+UC+NV+NW	99-02	985/715	6K1.721K335Q/T/AA	14.008

SKODA

Felicia Diesel all			6U2.721.335D	13.544
Felicia Benz. all		742/500	6U0.721.335	13.746
Favorit	88-		6UD.721.335/115.522.744	14.009

CLUTCH CABLES

Comandi disinnesto frizione Cables de debrayage Kupplungsseile

APPLICATION	YEAR	LENGTH	OEM/COMPARES WITH No.	OUR REF.
-------------	------	--------	-----------------------	----------

SUBARU

Impreza 1.8-2.0	93-	775/580	37214AA030	12.801
Justy all	89-	1165/1060	737026301/302	12.800
XT all exc. Turbo	85-88	945/770	37026GA200	12.536
XT all exc. Turbo	89-	915/770	37026GA100	12.535
XT Turbo	85-88	855/650	37026GA310	12.537
XT Turbo	89-	845/670	37026GA081	12.533
DL / GL 2D-3D-4D-SW 1.4-1.6	-79	605/430	637120163/164	12.530
DL 2D-3D-4D Hatch 1.6 (exc. SW)	80-83	605/470	737026011	12.531
DL / GL SW 1.6-1.8	80-83	880/730	737026032	12.532
DL 1.3-1.6-1.8	84-	845/670	37026GA081	12.533
DL / GL 1.8 4WD	84-89	900/720	737026033	12.534
GL 1800 2WD	85-88	915/770	37026GA100	12.535

SUZUKI

Vitara 1.3 all	89-	1840/1530	2371063A10/A11	12.549
Vitara 1.6-1.6 16V	89-	1850/1610	2371057B10/57B11/60A11	12.802
Baleno	95-	630/400	2371060G20/G21	12.804
Swift all	89-	555/395	2371063B10/B11	12.546
Swift all	95-	570/395	2371050GB01	13.545
Alto all	85-	525/290	2371078162	12.545
Alto all	89-	525/240	2371078164	12.803
Alto all	94-	560/350	23710M72F30	14.756
Alto all	09-	665/420	23710M68K01	14.852
Santana SJ410	84-	1670/1370	2371080420	12.547
Santana SJ413	85-	1875/1550	2371083023/24	12.548
Ignis 1.3 all	02-	655/390	2371086G00	14.753
Ignis Ds	02-	685/380	2371086G80	14.754
Jmny	00-	1925/1767	2371081A61	14.755
Wagon R all	99-	675/413	2371083E41	14.752

TALBOT

Samba all (see Peugeot 104)	82-	455/280	9150101780	10.470

CLUTCH CABLES

Comandi disinnesto frizione Cables de debrayage Kupplungsseile

APPLICATION	YEAR	LENGTH	OEM/COMPARES WITH No.	OUR REF.
TOYOTA				
Aygo 1.0 all	05-	1564/1400	2150.CQ	10.999
Aygo 1.4 Hdi	05-	1450/1285	2150.CR	11.000
Corolla KE 20	70-74	1740/775	3134019125	12.567
Corolla KE 70	80-	1715/755	3134019225	12.570
Lite Ace Van 1.3	80-85	2485/2230	3134029085	12.806
Starlet	78-82	1600/690	3134019196/197	12.563
Starlet	82-	1670/700	3134019245/275	12.565
Tercel AL 11	8/82-	975/695	3134016110	12.573
Tercel AL 20	82-	905/650	3134016130	12.574

VOLKSWAGEN

Golf Rabbit	-74	855/615	171.721.335B	10.516
Golf Rabbit	74-	1070/840	171.721.335C	10.517
Golf Rabbit 1.1-1.3-1.5	76-	1060/845	171.721.335D	10.518
Golf GTI-Diesel-TD / Caddy	76-	810/580	171.721.335E	10.519
Golf 1.1-1.3-1.5 / Jetta 1.3	9/83-	1100/825	191.721.335	10.520
Golf Diesel / Jetta Diesel / Caddy	9/83-	810/545	191.721.335A	10.522
Golf 1.6 GTI / Jetta 1.6 GLI	9/84-	820/550	191.721.335C/M	10.521
Golf Diesel / Jetta Diesel	9/84-	850/575	191.721.335D	10.523
Golf 1.3-1.5 / Jetta 1.5	86-	1115/820	191.721.335J/R	11.302
Golf GTI / Jetta GLI a/a	86-	805/550	191.721.335G/Q	12.741
Golf GTI / Jetta GLI modif.	86-	830/550	191.721.335G/Q	13.547
Golf Diesel / Jetta Diesel	86-	860/575	191.721.335N	11.304
Golf / Vento Benz.-Diesel a/a	90-	820/530	1H1.721.335A/B	12.742
Golf / Vento Benz. modif.	9/91-	855/510	1H1.721.335A	13.548
Golf / Vento Benz. modif.	9/92-	915	1H1.721.335C/K	13.769
Golf GTI / Jetta GLI a/a	90-	820/530	191.721.335AB	12.746
Golf GTI / Jetta GLI modif.	90-	830/520	191.721.335AB	13.550
Golf D-GTD / Jetta Diesel a/a	90-	1080/820	191.721.335F	12.743
Golf Diesel / Jetta Diesel modif.	90-91	1115/810	191.721.335F	13.551
Golf / Vento Benz. a/a	9/96-	1050/700	1H1.721.335M/H/C/K	12.747
Golf / Vento Benz. modif.	9/96-	1055/710	1H1.721.335M/H	13.552
Passat / Dasher	75-	950/655	843.721.335	10.317
Passat / Dasher	1-10/78	1100/805	321.721.335B	10.528
Passat / Dasher	11/78-	1115/805	321.721.335C	10.318
Passat / Dasher D-TD / Santana	83-89	980/700	321.721.335D/E	11.328
Passat / Santana Diesel	79-83	940/650	811.721.335H	10.319
Passat / Santana 4 cyl.	79-83	940/650	811.721.335F	11.348
Passat / Santana 4 cyl.	84-	960/680	321.721.335H	11.346
Passat / Santana 5 cyl.	84-	970/685	321.721.335G	11.347
Passat / Santana exc. Diesel a/a	89-	1295/960	357.721.335E	12.744
Passat / Santana all modif.	89-	1335/950	357.721.335E	13.549
Polo / Derby	74-	595/375	861.721.335A-867.721.335C	10.316
Polo / Derby all	87-	620/340	867.721.335E	11.521

CLUTCH CABLES

Comandi disinnesto frizione Cables de debrayage Kupplungsseile

APPLICATION	YEAR	LENGTH	OEM/COMPARES WITH No.	OUR REF.
-------------	------	--------	-----------------------	----------

VOLKSWAGEN

Polo classic all modif.	94-	1040/790	6N1.721.335B	13.278
Polo classic all a/a	93-	1040/790	6N1.721.335B	13.486
Polo classic modif.	9/94-	1073/883	6X1.721.335-6N1.721.335D/J	14.013
Polo classic a/a	9/94-	1073/883	6X1.721.335-6N1.721.335D/J	14.564
Lupo all a/a			6N1.721.335K	10.660
Scirocco all	-75	915/675	531.721.335A	10.524
Scirocco all	76-	885/680	531.721.335C	10.525
Scirocco all modif.	86-	1065/800	533.721.335C	13.553
Scirocco all a/a	86-	1030/810	533.721.335C	12.807
1200-1300 Kafer	61-	2270	111.721.335A/113.721.335/.335A/C	10.509
1200-1300-1600 Kafer	72-	2290	111.721.335C	10.510
1200-1300-1600 Kafer	73-	2280	111.721.335D	10.508
1300-1600 Kafer	74-	2280	111.721.335E-111.721.335	10.512
1500-1600 (type 3)	61-	2330	311.721.335/335A	10.514

Commercial vehicle

Transporter 1.6	71-	3200	211.721.335G	10.532
Transporter 1.7-1.8	72-75	3220	211.721.335J	10.533
Transporter 2.0	76-	3215	211.721.335H	10.534
Transporter 1.6-2.0	80-	3800/360	251.721.335	10.535
Transporter T4 all a/a	9/90-	1250/960	701.721.335/335B	12.745
Transporter T4 all modif.	9/90	1290/920	701.721.335/335B	13.554
LT (mot. Perkins)	-75	1725/1580	281.721.335	10.537
LT	75-	1705/1545	281.721.335A	10.536
LT	83-	1830/1670	281.721.335B	10.538
LT	89-	1820/1600	281.721.335E	12.808
Caddy all	95-	1065/804	6K1.721.335G	12.797
Caddy all Ds modif.	95-	865/533+65	6K1.721.335B/C	13.543
Caddy all Ds a/a	95-	840/640	6K1.721.335B/C	12.799

Sleeve cables - Guaine protezione

1500-1600 (Type 3)		305	311.721.361	11.735
Transporter	74-	330	211.721.361C/D	11.737
Transporter 2.0	79-	295	251.721.361B	11.739

CLUTCH CABLES

Comandi disinnesto frizione Cables de debrayage Kupplungsseile

APPLICATION	YEAR	LENGTH	OEM/COMPARES WITH No.	OUR REF.
-------------	------	--------	-----------------------	----------

VOLVO

440 GL-GLT-Turbo	88-	1030/790	3450294-34509158	10.515
440 / 460 / 480 Turbo	91-	1030/775	3460763-3470372	12.809
480 ES	88-	1025/710	33441726-3344661-3344858	10.527
460 TD	93-	1575/1350	3475466	13.556
440 / 460	89-91	1010/750	33441767-33446600	13.555
340 B14	-85	1112/852	32032948-32947541	10.542
340 B14	86-90	1155/870	32092538	10.513
343 / 345 B14 (-ch. 609999)	-80	1115/900	32032948-32947541	10.542
343 / 345 B14 (ch. 610000)-B19	80-	1050/800	32831067-32947046	10.543
240 / 260 / 760 GLE Diesel	79-	1120/970	12722294	10.541
240 / 260 / 740 all Benz.	74-	1080/920	1228633-12289120-13776695	10.540
142 / 144 / 145	69-	1170/1030	12062055	11.740

ZASTAVA

Jugo 45	-86	505/355	4402475	10.544
Jugo 45	87-	530/360	46623277-46625514	10.529
Jugo Florida-Miami	89-	610/360	46618456	11.738
101	83-			14.481

BRAKE CABLES

Funi freno a mano Cables de frein Handbremsseile

APPLICATION	Remarks	Year	LENGTH	OEM/Compares with No.	Our Ref.
ALFA ROMEO					
145 / 146 all	Front	92-	405	60806293-46410282-60811362	11.452
145 / 146 1.3-1.6	LH	95-	1460/1055	7773015-60813764	12.810
145 / 146 1.3-1.6	RH	95-	1420/1015	7773019	12.811
145 / 146 1.7 16V	RH	92-	1460/1120	60577826-60806310-60812799	12.068
145 / 146 1.7 16V	LH	92-	1497/1152	60806307-60812546-7714822	12.857
147 all	Front	01-	405	46410282-60806293-60811362	11.452
147 all	RH	01-	1170/895	46542755	13.921
147 all	LH	01-	1235/961	46542828	13.922
155 all	Front	92-	405	60806293-60811362-46410282	11.452
155 all	RH	92-	1460/1110	60577826-60806310-60812799	12.068
155 all exc. 2.5 V6	LH	92-	1497/1152	60806307-60812546-7714822	12.857
155 2.5 V6	LH	92-	1500/1150	60806311	12.812
155 TB 2.0	LH		2428/787	60807561-82464806	12.276
155 TB 2.0	RH		1190/800	60807562-82464807	12.277
156 all	Front	97-	405	60806293-60811362-46410282	11.452
156 all	RH	97-	1196/920	60624590	13.956
156 all	LH	97-	1256/985	60624591	13.957
159 all	RH	05-	1735/1585	50500557-50505370	14.589
159 all	LH	05-	1755/1603	50500558-50505371	14.590
164 all	Front	87-	262	82399827	10.114
164 all	Rear	87-	2970/1260+140	60801383-60801790-82390671	10.097
164 all with prot.	Rear	92-	2970/1260+140	60808316-82481842	12.070
166 all	Front	98-	311	60813842-82488247	12.924
166 all	RH	98-	1427/1303	60630814-60661490	14.015
166 all	LH	98-	1445/1320	60630812-60661488	14.016
33 all	LH-RH	83-89	1690/1480	60501672/73	11.834
33 1,5 ie	LH-RH	89-	1615/1380	60500501	13.314
33 all Antiskid-4X4	RH	90-94	1785/1625	60548444-60580073	11.837
33 all Antiskid-4X4	LH	90-94	1660/1500	60548443-60580074	11.836
33 Permanent 4 (drum br.)	LH-RH	90-94	1615/1385	60580076	12.073
33 Elegant-Sport 4X2	RH	92-94	1715/1510	60580072-60559851	13.735
33 Elegant-Sport 4X2	LH	90-94	1590/1385	60580075	12.072
75 all / 90 all	Rear	85-	1630/1350	60521838	10.008
Arna all	RH	83-	900/675	543610	10.010
Arna all	LH	83-	1100/730	543611	10.011
GTV 6	Rear	81-	1370/1090	11646.40600.10	11.833
GTV Coupé-Spyder	Rear	95-	1580/1240	60616741-60626919	13.736
Alfetta 1.6-1.8		-79	1535/1260	11600.42030.01	10.009
Alfetta all		80-	1630/1350	11633.42030.00-60521838	10.008
Alfasud	Rear	72-	1390/1255	530728-60745071	10.007
Alfasud Sprint		83-88	1715/1485	546079-60505003	10.012
Giulia 1.3-1.6		69-	2570/2190	10539.42030.00	10.001
Giulia all		70-	1670/1125	10526.42030.01-60712612	10.002

BRAKE CABLES

Funi freno a mano Cables de frein Handbremsseile

APPLICATION	Remarks	Year	LENGTH	OEM/Compares with No.	Our Ref.
-------------	---------	------	--------	-----------------------	----------

ALFA ROMEO

Giulia 1750-2000	LH		570	10548.42061.00-60515933	11.832
Giulia 1750-2000	RH		540	10548.42062.00-60515940	11.831
Sprint all	Rear	83-	1715/1485	543079-60505003	10.012
1750-2000		68-	1720/1240	10548.42030.03	10.004
1750-2000 GTV		68-	1550/1030	10530.42030.03	10.005
1750-2000 Spyder			1490/980	10557.42030.03-60517076	10.006
Mito all	RH	8/08-	1673/1440	55704103	11.131
Mito all	LH	8/08-	1654/1422	55704104	11.196

Commercial vehicle

AR 8 all	Rear	-89	2395/955+955	93801482	10.017
AR 8 all	Front A	-85	1240/1050	93801422	10.014
AR 8 all	Front B	-85	1640/1450	93801912	10.015
AR 8 all	Front C	-85	2040/1840	93801943	10.016

ARO

10.1 / Ischia			2420/950+950		12.081
Dacia				6001541686	13.305

AUDI

A2 all	LH-RH	00-03	1075/814	8Z0.609.721B	14.020
A2 all drum brake	RH	03-	1075/814	8Z0.609.722G/C	14.020
A2 all drum br. -ch8Z3010000	LH	03-	1075/814	8Z0.609.721F	14.020
A2 all drum br. ch8Z3010000-	LH	03-	1057/795	8Z0.609.721G/C	10.986
A2 all disc brake	RH	03-	1147/940	8Z0.609.722D	10.983
A2 all disc br. -ch8Z4100000	LH	03-	1147/940	8Z0.609.721A	10.983
A2 all disc br. ch8Z4100000-	LH	03-	1130/923	8Z0.609.721D	10.985
A2 all disc brake	LH	03-	1120/910	8Z0.609.721E	10.984
A3 all	LH-RH	96-	1690/1075	1J0.609.721E	12.815
A3 (ch8LY00000-)	LH-RH	97-	1690/1060	1J0.609.721K/AC/AD	14.383
A3 Quattro	LH-RH	98-	1273/1090	1J0.609.721L	14.019
A3	LH-RH	03-	1450/1810	1K0.609.721Q	14.389
A3 all	RH	10/03-	1443/805	1K0.609.721T/AA/S	13.903

BRAKE CABLES

Funi freno a mano Cables de frein Handbremsseile

APPLICATION	Remarks	Year	LENGTH	OEM/Compares with No.	Our Ref.
AUDI					
A4 all	LH-RH	95-	1815/1640	8D0.609.721H	12.816
A4 all	RH	00-	2012/1845	8E0.609.722L/AF	13.306
A4 all	LH	00-	1927/1770	8E0.609.721L/AF	13.307
A4 Quattro	LH-RH	00-03	1722/1555	8E0.609.721AD	13.308
A4 S4 all	LH-RH	-01	1770/1600	8E0.609.721AC	10.982
A4 Quattro all	LH-RH	03-06	1736/1572	8E0.609.721AJ	14.570
A6 all	LH-RH	95-	1495/925+365	4A0.609.721D	12.817
A6 Quattro all	RH	94-	1676/1503	441.609.722D	13.558
A6 Quattro all	LH	94-	1697/1520	441.609.721D	13.557
A6 all	RH	98-	1958/1705	4B0.609.722L	14.021
A6 all	LH	98-	1958/1705	4B0.609.721M	14.022
A6- A6 Allroad – A6 Avant	LH-RH	01-	1920/1755	4B0.609.721AD	14.593
A8 2.8 (-ch4DT003660)	RH	6/94-96	1701/1545	4D0.609.722G/J	14.023
A8 2.8 (-ch4DT003660)	LH	6/94-96	1657/1500	4D0.609.721J	14.024
A8 Quattro-S8	RH	94-	1720/1560	4D0.609.722K/H	14.026
A8 Quattro-S8	LH	94-	1657/1495	4D0.609.721K/H	14.027
S6-S6 Avant	LH	97-	1697/1520	441.609.721D	13.557
S6-S6 Avant	RH	97-	1676/1503	441.609.722D	13.558
TT all	LH-RH	-00	1610/1055	8N0.609.721C	13.311
TT all (no Quattro)	LH-RH	00-	1610/1055	8N0.609.721F	13.309
TT Quattro all	LH-RH		1660/1105	8N0.609.721G	13.310
80 all	Rear	73-74	2225/600+600	823.609.721A	10.021
80 all	Rear	8/74-	2230/480+470	321.609.721	10.296
80 all	Rear	76-	2252/460+460	321.609.721A	10.023
80 all	Rear	78-	2370/435+435	811.609.721	10.024
80 all with reinf.shockabsorber	Rear	8/78-	2400/445+445	811.609.721A	11.839
80 / 90 drum brake	LH	10/85-	1200/435	811.609.721B/H/J/C	11.349
80 / 90 drum brake	RH	10/85-	1155/435	811.609.722A/B/D/E	11.841
80 / 90 disc brake	LH	87-91	1375/1175	811.609.721G	11.843
80 / 90 disc brake	RH	87-91	1220/545	811.609.722C	11.842
80 / 90 Coupé drum brake	LH	87-	1360/1110	893.609.721A/G	11.447
80 / 90 Coupé drum brake	RH	87-	1310/1070	893.609.722A/G	11.448
80 / 90 Coupé disc brake	LH	88-	1415/1214	893.609.721F	11.840
80 / 90 Coupé disc brake	RH	88-	1375/1175	893.609.722F	11.350
80 / 90 disc brake	LH-RH	9/91-	1750/1590	8A0.609.721AF/J/T	12.690
80 / 90 drum brake	LH-RH	9/91-	1600/1390	8A0.609.721AE/H/S	12.814
80 Quattro Coupè	LH		1340/1125	893.609.721E	13.325
80 Quattro Coupè	RH		1305/1095	893.609.722E	13.326
100 all (ch. 41000116-)	Rear	-8/74	2285/755+755	803.609.721C	10.026
100 all	Rear	74-76	2340/710+710	803.609.721D	10.027
100 all	Rear	9/76-	2890/1115+1105	431.609.721D	10.028
100 all	LH-RH	83-	1410/820	443.609.721/721K	10.029
100 all disc brake	LH-RH	83-	1445/910	443.609.721A	10.030
100 all disc brake	LH-RH	85-	1455/890	443.609.721E/G	12.085
100 all drum brake	LH-RH	92-	1420/820	4A0.609.721B	12.087
100 all disc brake	LH-RH	92-	1490/920	4A0.609.721C	12.088
100 Quattro	LH-RH	85-88	1705/1550	443.609.721C	12.089
100 Quattro	LH	94-	1697/1520	441.609.721D	13.557
100 Quattro	RH	94-	1676/1503	441.609.722D	13.558

BRAKE CABLES

Funi freno a mano Cables de frein Handbremsseile

APPLICATION	Remarks	Year	LENGTH	OEM/Compares with No.	Our Ref.
AUDI					
200 all disc brake	LH	-82	1580/1170	437.609.721	11.351
200 all disc brake	RH	-82	1410/1220	437.609.722	11.352
200 all disc brake	LH	82-	1480/1200	437.609.721A	11.353
200 all disc brake	RH	82-	1485/1220	437.609.722A	11.354
200 all disc brake	LH-RH	88-	1455/890	443.609.721E/G	12.085
200 Quattro	LH-RH	85-88	1700/1540	443.609.722	13.559
200 Quattro all	LH	94-	1697/1520	441.609.721D	13.557
200 Quattro all	RH	94-	1676/1503	441.609.722D	13.558
50 all	Front	74-	795	861.609.729	11.838
50 all	Rear	74-	1945/630+370	861.609.721	10.018
50 all	Rear	75-	1990/610+365	861.609.721A/B	10.291

BMW

Mini all	RH		1444/1300	3441.1514.214	14.036
Mini all	LH		1444/1300	3441.1514.215	14.037
Z3 all 4 cyl.	LH-RH	97-	1255/910	3441.1163.084-3440.1166.054	14.029
Z3 all 6 cyl.	LH-RH	97-	1283/942	3441.1163.276-3440.1166.055	14.030
Z4 all	LH-RH	03-	1090/883	3441.675.547	10.994
X3 all	LH	03-	1613/1230	3440.340.0795	10.988
X3 all	RH	03-	1613/1230	3440.340.0796	10.989
X5 3.0i	LH-RH	9/99-	1942/1161	3441.1165.699	14.031
X5 4.4i	LH-RH	9/99-	1930/1161	3441.6751.843	14.032
Serie 1 all	LH-RH	03-	1434/755	3440.6760.443	10.987
Serie 3 all	RH	97-	1703/1140	3441.1165.020	13.776
Serie 3 all	LH	97-	1693/1140	3441.1165.021	13.777
Serie 3 all E90/91	LH-RH	05-	1533/755	3440.676.0444	10.991
Serie 5 all	LH	95-	1875/1120	3440.1166.237	14.034
Serie 5 all	RH	95-	1925/1170	3440.1166.234	14.033
Serie 5 all	LH	96-	1930/1170	3441.1162.998	12.820
Serie 5 all	RH	96-	1890/1120	3441.1162.999	12.821
Serie 5 all	LH-RH	03-	1680/1170	3440.676.1097/98	10.993
316-318-320	LH-RH	75-	1640/660	3441.1114.215	10.033
316-318-320-324 Td	LH-RH	83-	1840/775	3441.1154.401/681	11.449
316-320 drum brake	LH-RH	90-	1760/1190	3441.1159.048	12.730
316-320 disc brake	LH-RH	90-	1645/1085	3441.1160.134	12.731
316-318 Td Compact	LH-RH	93-	1740/1070	3441.1160.873	12.818
318 Ti Compact	LH-RH	93-	1685/1090	3441.1160.874	12.819
318 Compact all E36	LH-RH	98-00	1680/1090	3440.1166.053	10.990
323	LH-RH	75-	1620/710	3441.1120.189	10.034
323 ABS-318-320-324 Td	LH-RH	83-	1725/665	3441.1153.582	10.035
325i 4 doors	LH-RH	92-	1645/1085	3441.1160.134	12.731

BRAKE CABLES

Funi freno a mano Cables de frein Handbremsseile

APPLICATION	Remarks	Year	LENGTH	OEM/Compares with No.	Our Ref.
BMW					
518-518i-520-520i	LH-RH	73-	1700/865	3441.1107.962	10.036
518-520i-524 Td	LH-RH	81-	1865/840	3441.1150.896	10.038
518 drum brake	LH-RH	9/88-	1880/750	3440.1154.437	12.732
518-520 disc brake	LH-RH	9/88-	1755/620	3441.1156.436-3441.1162.005	12.733
525-528	LH-RH	75-	1730/960	3441.1118.579	10.037
518-520i	LH-RH	80-	1705/710	3441.1150.784-3441.1156.356	10.039
518-520i	LH-RH	82-86	1685/690	3441.1154.106-3441.1152.685	10.040
728-733-745	LH-RH	78-	1805/885	3441.1118.581-3441.1120.725 3441.1121.864	10.041
728-733-735-745	LH-RH	81-	1820/685	3441.1150.990	11.847
728-733-735-745 (ABS)	LH-RH	82-	1685/690	3441.1152.685-3441.1152.689	10.040
728-733-735	LH-RH	82-86	1790/625	3441.1152.690	12.822
730i-735i-750i	LH-RH	86-94	1855/635	3441.1154.244	11.848
735il-750il	LH-RH	86-94	1965/635	3441.1156.326	11.851
730 E38 3.0	RH	7/94-	1120/570	3551.1161.474	12.823
730 E38 3.0	LH	7/94-	1265/997	3551.1161.473	14.028
2500-2800-3000	LH-RH	70-	1760/960	3441.1118.577	11.849
2500-3000 Coupé	LH-RH	70-	1600/860	3441.1118.578	11.850
3000	LH-RH	75-	1860/865	3441.1118.580	11.852
1602-1802-2002	LH-RH	66-75	1530/535	3441.1103.128	10.032
1500-1600-1800-2000	LH-RH	65-71	1710/840	3441.1103.130	10.031
CHRYSLER - KIA					
Jeep Cherokee	LH-RH	97-	1500/1190	3952001153	13.923
Jeep CJ3B mot. Perkins	Front		987/738	75032	13.924
Jeep CJ3B mot. Perkins	Rear		2426/2x640	75027	13.925
Neon 2.0 16v drum brake	LH-RH	95-	1700/1505	5273636	14.054
Neon 2.0 16v disc brake	LH-RH	95-	1713/1502	4509633	14.055
Carens all – Shuma all drum brake	RH	11/00-	1622/1357	0K2C044410	14.611
Carens all – Shuma all drum brake	LH	11/00-	1628/1363	0K2C044420	14.610
Carens all – Shuma all disc brake	RH	01-	1658/1390	0K2A244410E/10F	14.609
Carens all – Shuma all disc brake	LH	01-	1670/1405	0K2A244420D	14.608
Picanto all	RH	04-	1515/1306	5977007310	14.603
Picanto all	LH	04-	1515/1306	5976007310	14.604
Rio all	RH	02-	1584/1390	0K30A44420H	14.605
Rio all	LH	02-	1584/1390	0K30A44410H	14.606
Sportage	Front	-06	335	0K01144150D/150G	14.607
Carnival all	Front	99-01	1750/1447	0K55244150G	14.839

BRAKE CABLES

Funi freno a mano Cables de frein Handbremsseile

APPLICATION	Remarks	Year	LENGTH	OEM/Compares with No.	Our Ref.
CITROEN					
C1 all	LH	05-	1486/1243	4745.Y3	11.005
C1 all	RH	05-	1478/1235	4745.Y2	11.006
C2 drum brake	LH-RH	03-	1610/1800	4745.W3-4746.15-9680318880-9648084880	13.323
C2 disc brake	LH-RH	03-	1700/935	4745.W4-4746.16-9680313780-9639346180	13.324
C3-C3 Pluriel all drum brake	LH-RH	02-	1715/867	4745.V0-9643240880	14.041
C3-C3 Pluriel all drum brake	LH-RH	02-	1812/1003	4745.VA/V1	14.042
C3-C3 Pluriel disc br. ch 10577-	LH-RH	02-	1788/1004	4746.14-9680318480	11.012
C3-C3 Pluriel drum br. ch 10423-	LH-RH	02-	1692/867	4745.Y9-4746.13-9680318380	11.013
C4 Picasso eletr. brake	LH	05-	928/750	4745.Z7- 4746.34-9683025580	14.599
C4 Picasso eletr. brake	RH	05-	959/770	4745.Z8- 4746.35-9683025380	14.600
C4 all	LH-RH	05-	2035/1183	4745.C3	14.840
C5 all	LH-RH	10/00-	1840/475	4745.R5	14.045
C8 all	Front	6/02-	500/255	4745.E9-4745.T5-1472957080 1487276080	12.829
C8 all	LH	6/02-	1068/840	4745.T6-1487274080	14.096
C8 all	RH	6/02-	2360/2220	4745.T7-4745.T8-1487647080 1487275080	14.095
C8 all	Front	05-	500/305	4746.22-1400813580	10.952
C8 all	LH	05-	1041/840	4745.Y8-1400310380	11.204
C8 all	RH	05-	2310/2150	4745.Y6/Y7-1400310180/280	11.203
Saxo all drum brake	LH-RH	96-	1145/1125	4745.H7-4745.J1-96209110	12.825
Saxo all disc brake	LH-RH	96-	1505/1235	4745.H8-96263856	12.826
Xantia all	LH	93-	1290/1170	4745.G5-96121653	12.734
Xantia all	RH	93-	1360/1240	4745.G6-96121652	12.735
Xantia all Turbo CT-Tds 2.1	LH	94-	1301/1140	4745.H5	13.790
Xantia all Turbo CT-Tds 2.1	RH	94-	1364/1266	4745.J4	14.044
Xsara 1.4/1.9 D-Td-Hdi	RH	97-	1500/1190	4745.J9	13.778
Xsara 1.4/1.9 D-Td-Hdi	LH	97-	1590/1280	4745.J8	13.779
Xsara 1.4/1.6	RH	97-	1520/1170	4745.K3	13.780
Xsara 1.4/1.6	LH	97-	1610/1260	4745.K2	13.781
Xsara 1.8/2.0 disc brake	RH	97-	1545/1280	4745.K1	13.782
Xsara 1.8/2.0 disc brake	LH	97-	1635/1375	4745.K0	13.783
Xsara Picasso all disc brake	RH	05-	1950/1735	4745.Z6-9659014080	14.602
Xsara Picasso all disc brake	LH	05-	1860/1645	4745.Z5-9659013080	14.601
Picasso all	RH	00-	1865/1590	4745.P6-9633826780	14.048
Picasso all	LH	00-	1775/1500	4745.P5-9633826680	14.047
Picasso all disc brake	RH	11/02-	1948/1735	4745.W1-9643731980	13.313
Picasso all disc brake	LH	11/02-	1860/1645	4745.W0-9643731880	13.312
ZX	RH	91-	1493/1170	96032564-4745.G1	12.115
ZX	LH	91-	1585/1260	96032565-4745.F8	12.116
ZX disc brake	LH	91-	1615/1342	96032560-4745.F6	12.117
ZX disc brake	RH	91-	1615/1260	96032561-4745.F9	12.118
ZX ABS mod.	LH	-11/96	1620/1260	96145739-4745.F7	12.827
ZX ABS mod.	RH	-11/96	1530/1175	96145740-4745.G0	12.828

BRAKE CABLES

Funi freno a mano Cables de frein Handbremsseile

APPLICATION	Remarks	Year	LENGTH	OEM/Compares with No.	Our Ref.
CITROEN					
ZX drum brake	RH	12/96-	1485/1175	9628846980-4745.K5	13.784
ZX drum brake	LH	12/96-	1585/1265	9628847080-4745.K4	13.785
ZX disc brake	RH	94-	1530/1270	9628847280-4745.K7	13.786
ZX disc brake	LH	94-	1605/1350	9628847180-4745.K6	13.787
ZX Break drum brake	RH	94-	1610/1265	9628847380-4745.K9	13.788
ZX Break drum brake	LH	94-	1520/1140	9628847480-4745.K8	13.789
Berlingo all	LH	96-	1745/1405	4745.J0-96222503	13.562
Berlingo all	RH	96-	1820/1480	4745.J3-96277119	13.563
Berlingo all (orga 08394-)	RH	97-	1850/1410	4745.R0-96391792	14.046
Berlingo all disc brake	LH	6/04-	1820/1555	4745.Y0	11.007
Berlingo all disc brake	RH	6/04-	1922/1640	4745.Y1	11.008
Evasion Lwb mod.	Front	94-	903/653	4745.P0-1484385080	14.094
Evasion	Front	94-	500/255	4745.E9-1472957080	12.829
Evasion drum brake	LH	94-	1060/770	4745.F2-1473322080	12.830
Evasion drum brake	RH	94-	2285/2065	4745.F3-1473321080	12.831
Evasion disc brake	LH	95-	1255/1065	4745.F4-1472959080	12.832
Evasion disc brake	RH	95-	2205/2080	4745.F5-1472958080	12.833
Evasion RHD mod.	LH	2/96-	1315/1030	4745.R4-1483708080	14.069
Evasion RHD mod.	RH	2/96-	2105/1980	4745.R3	14.072
XM all	Front	91-	1410/1110	96012379	12.119
XM all exc. 24V	RH	91-	1230/1145	96026873	12.120
XM all exc. 24V	LH	91-	1030/945	96026875	12.121
XM 24V	RH	91-	1390/1305	96068340	13.560
XM 24V	LH	91-	1025/900	96092671/761	13.561
AX all	LH-RH	86-	1415/1195	95604194	11.355
AX 4X4	LH-RH	93-	1420/1115	96044362	12.824
Axel all	LH-RH	85-	1210/990	95493395	11.356
BX all	LH-RH	82-	1655/1485	95496106-95611505	10.061
Visa all	LH-RH	79-	1450/810	95493550-7910033436	10.049
LN / LNA all	LH-RH	-82	1255/700	7910015915/7	10.047
LN / LNA all	LH-RH	82-	1270/720	95495614	10.048
CX all	LH	74-	1190/1000	5490304	10.057
CX all	RH	74-	1385/1185	5490303	10.058
CX all	LH	80-	1200/1010	95492972	10.059
CX all	RH	80-	1400/1220	95492971	10.060
2CV / Dyane / Mehari		66-	430/180	AZ4541F/D	10.042
2CV / Dyane / Mehari	LH	77-	730/590	75491847	10.043
2CV / Dyane / Mehari	RH	77-	555/410	75491848/50	10.044
2CV / Dyane / Mehari	LH	81-	675/530	75492021	10.045
GS / GSA all	LH	71-	765/590	4225402	10.055
GS / GSA all	RH	71-	775/600	4230002	10.056

BRAKE CABLES

Funi freno a mano Cables de frein Handbremsseile

APPLICATION	Remarks	Year	LENGTH	OEM/Compares with No.	Our Ref.
CITROEN Commercial vehicle					
Jumper all	Front	94-	1059/761	4745.G2-1308638080	12.858
Jumper all	Rear	94-	3030/805+805	4745.G3-1307963080	12.859
Jumper all Camping car	Rear	94-	3040/810+810	4745.G7-1314983080	14.073
Jumper 4x4	Rear	94-	4095/1410+1410	4745.J2	11.009
Jumper all ch-16158428	Rear	-01	2806/865+865	4745.V2-1330058080	11.777
Jumper /Relay 4x4 only UK	Front	-02	1170/843	4745.V7-1337455080	11.764
Jumper all	Front	01-	1078/761	4745.V6-1336889080	13.322
Jumper all disc brake	Rear	01-	2715/890+890	4745.V4-4745.W5-1339676080-1339394080	11.667
Jumper all drum brake	Rear	01-	2825/875+875	4745.V5-1337440080	11.702
Jumper II all	Front	02-	1463/645	4745.W6-1338683080	11.706
Jumper II all disc brake	RH-LH	02-	955/782	4745.W7-1338691080	11.751
Jumper III all 40	RH-LH	06-	1480/1170	4746.18-1348980080	10.896
Jumper III all 30-33-35	RH-LH	06-	1385/1075	4746.17-1341031080	10.903
Jumper III all 33-35 passo 3450	Front	06-	2295/2035	4746.27-1350313080	10.935
Jumper III p.3000/3000 Fap mod.	Front	06-	1910/1650	4745.Z9-4746.47-1341023080-1359245080	14.634
Jumper III p.3800/3800 Fap mod.	Front	06-	2645/2390	4746.29-4746.50-1350314080-1359047080	14.782
Jumper III 40 p.4035/4035 Fap mod.	Front	06-	2910/2650	4746.28-4746.49-1350315080-1359248080	14.635
C25	Front	81-	1620/1430	ZF4359202	10.119
C25	Rear	81-	2590/715+715	ZF4450938	10.105
C32-35		-80	900/715	ZF5455064	10.104
C32-35		80-	915/710	75492188	10.063
C35 5 speed		82-	1045/850	95495405	11.311
C15 all	LH-RH	85-	2035/1183	95610161/2-9563577180	11.853
C15 Ds all	LH-RH		1705/955	4745.N7- 956357780	14.043
C15 all exc. Ds	LH-RH		1720/1250	4745.N6	13.943
Jumpy	Front	95-	500/256	4745.E9/T5 -1472957080	12.829
Jumpy 1.6-Ds drum brake	RH	95-	2286/2063	4745.F3-1473321080	12.831
Jumpy 1.6-Ds drum brake	LH	95-	1063/770	4745.F2-1473322080	12.830
Jumpy Td disc brake	RH	95-	2205/2080	4745.F5-1472958080	12.833
Jumpy Td disc brake	LH	95-	1255/1066	4745.F4-1472959080	12.832
Jumpy Lwb mod.	RH	95-	2368/2145	4745.G8	14.049
Jumpy all drum brake	LH-RH	06-	1495/1275	4746.10-1400203780	10.831
Jumpy all SWB corto / short	LH-RH	06-	1613/1467	4746.11-1400203680	10.839
Jumpy all LWB lungo / long	LH-RH	06-	1730/1590	4746.12-1400204880	10.850
Jumpy rhd mod.	RH	2/96-	2105/1980	4745.R3	14.072
Jumpy rhd mod.	LH	2/96-	1300/1096	4745.R4-1483708080	14.069
Nemo all benz.	RH	12/07-	1695/1442	4746.43	14.637
Nemo all benz.	LH	12/07-	1662/1407	4746.42	14.636
Nemo all Ds 1.4 Hdi	RH	12/07-	1710/1435	4746.45	14.639
Nemo all Ds 1.4 Hdi	LH	12/07-	1677/1402	4746.44	14.638

BRAKE CABLES

Funi freno a mano Cables de frein Handbremsseile

APPLICATION	Remarks	Year	LENGTH	OEM/Compares with No.	Our Ref.
-------------	---------	------	--------	-----------------------	----------

DAIHATSU

Charmant	Front	83-	340	46410.1212.0000	12.834
Charmant A35-A45	LH	82-83	1355/835	46430.1213.0000	12.592
Charmant A35-A45	RH	82-83	1345/730	46420.1223.0000	12.593
Charmant	LH	8/83-	1325/835	46430.1218.0000	12.837
Charmant	RH	8/83-	1315/730	46420.1228.0000	12.838
Charade G30		85-86	1215/1080	46420.87702	12.839
Charade G100	LH	88-91	1510/1335	46430.87701	14.050
Charade G100	RH	88-91	1543/1365	46420.87706	14.051

DAEWOO

Tico all	Rear	95-	3065/1365+1310		14.038
Matiz all	Rear	98-	2825/1216+1216	96316682-96518396	14.039
Lanos	LH	99-	1585/1350	96245829	14.040
Lanos	RH	99-	1650/1410	96230545	10.995
Nubira 1.6 drum brake	RH	97-	1635/1435	96243463	14.595
Nubira 1.6 drum brake	LH	97-	1650/1435	96243462	14.594
Nubira 2.0 disc brake	RH	97-	1570/1420	96392001	14.597
Nubira 2.0 disc brake	LH	97-	1595/1440	96392000	14.596
Tacuma	LH-RH	2000-	1556+1291/ 1544+1277	96280245	14.598
Aveo all	RH	03/06-	1383/1188	96534870	14.838
Aveo all	LH	03/06-	1396/1200	96534871	14.837
Kalos all	RH	03-	1383/1188	96534870	14.838
Kalos all	LH	03-	1396/1200	96534871	14.837

FIAT

Punto all exc. GT	RH	93-	1495/1315	7747331	12.061
Punto all exc. GT	LH	93-	1480/1310	7747332	12.062
Punto GT	LH-RH	93-	1550/1420	7747333-7747334	12.063
Punto 1.2-1.9 Ds all	Rear	99-	1455/1230	46752977-46752983	13.896
Punto 1.8 16v	Rear	99-	1588/1388	46552978-46752984	13.897
Nuova Punto FL03 1.4 16v 1.9 JTD 74 kw drum brake	RH-LH	03-	1450/1235	46845902	13.315
Grande Punto 1.2 8/16v drum br.	LH	10/05-	1641/1375	55700928	12.086
Grande Punto 1.2 8/16v drum br.	RH	10/05-	1659/1392	55700926	12.106
Grande Punto 1.4 8v drum br.	LH	10/05-	1673/1372	55701942	12.130
Grande Punto 1.4 8v drum br.	RH	10/05-	1689/1388	55701946	12.122

BRAKE CABLES

Funi freno a mano Cables de frein Handbremsseile

APPLICATION	Remarks	Year	LENGTH	OEM/Compares with No.	Our Ref.
FIAT					
Grande Punto 1.9 Jtd disc br.	LH	10/05-	1654/1422	55700929	11.196
Grande Punto 1.9 Jtd disc br.	RH	10/05-	1673/1440	55700927	11.131
Idea 1.2/1.4 16v – 1.3 Sdi	Rear	03-	1530/1305	51731443	14.098
Idea 1900 Jtd 74 kw	Rear	03-	1555/1305	46847434	14.099
Idea all Mjtd 16V	Rear	4/08-	1618/1423	51804860	14.790
Linea all	RH	07-	1725/1450	51785644	14.644
Linea all	LH	07-	1712/1437	51785645	14.645
Linea all 1.4 Turbo 16v disc brake	RH	07-	1520/1330	51787024	14.786
Linea all 1.4 Turbo 16v disc brake	LH	07-	1515/1325	51787025	14.787
Bravo / Brava all	Front	95-	385	7773616	12.841
Bravo / Brava 1.4	RH	95-	1370/995	46468157-7773000	12.842
Bravo / Brava 1.4	LH	95-	1425/1050	46468158-7773001	12.843
Bravo / Brava 1.6-1.8-Ds	LH	95-96	1428/1045	7791233	12.845
Bravo / Brava 1.6-1.8-Ds	RH	95-96-	1385/995	46468155-7791231-46465194	12.851
Bravo / Brava 1.6-1.8-Ds	LH	96-	1430/1040	46468156-46465947	12.850
Bravo 2.0 all	RH	95-96	1448/1102	46414289	12.846
Bravo 2.0 all	LH	95-96	1488/1137	46404218	12.847
Bravo 2.0 all	RH	96-	1500/1150	46460508-46465948-7714822	12.852
Bravo 2.0 all	LH	96-	1460/1110	46460478-46465949	12.853
Marea all	Front	96-	385	7773616	12.841
Marea 1.4 all	RH	96-	1370/995	7773000-46455422	12.842
Marea 1.4 all	LH	96-	1425/1050	7773001-46462766	12.843
Marea 1.6 drum brake	RH	96-	1405/1000	46463911	13.573
Marea 1.6 drum brake	LH	96-	1460/1055	46463910	13.574
Marea 1.6-1.8 antiskid-Marea Tds	RH	96-	1385/995	46465194-7791231	12.844
Marea 1.6-1.8 antiskid-Marea Tds	LH	96-	1430/1040	46465947-46468156	12.850
Marea 2.0 all-2.4 Tds	RH	96-	1460/1000	46460478	12.853
Marea 2.0 all-2.4 Tds	LH	96-	1500/1150	46460508-46465948-7714822	12.852
Cinquecento all	Rear	92-	3000/1250+1215	7684513	11.860
Cinquecento all	Rear	98-	2635/1105+1105	46517955	13.752
Nuova 500 1.4 all disc brake	RH	07-	1505/1300	51753527	14.642
Nuova 500 1.4 all disc brake	LH	07-	1490/1280	41753526	14.643
Nuova 500 all 1.2/1.3 Mjt	RH	07-	1450/1202	51786839	14.641
Nuova 500 all 1.2/1.3 Mjt	LH	07-	1425/1176	51786840	14.640
Seicento all	Rear	98-	2635/1105+1105	46517955	13.572
Ulysse all	Front	94-	500/255	1472957080-4745.E9 1487276080-4745.T5	12.829
Ulysse 2.0-Tds drum brake	RH	94-	2285/2065	1473321080-4745.F3	12.831
Ulysse 2.0-Tds drum brake	LH	94-	1065/770	1473322080-4745.F2	12.830
Ulysse TB disc brake	RH	95-	2205/2080	1472958080-4745.F5	12.833
Ulysse TB disc brake	LH	95-	1255/1065	1472959080-4745.F4	12.832
Ulysse 2.0-Tds drum brake	RH	4/00-	2105/1980	4745.R3	14.072
Ulysse 2.0-Tds drum brake	LH	4/00-	1300/1096	1483708080-4745.R4	14.069
Ulysse all	RH	6/02-	2360/2220	1487647080-1487275080- 4745.T7/T8	14.095
Ulysse all	LH	6/02-	1068/840	1487274080-4745.T6	14.096
Ulysse all	Front	05-	500/305	1400813580-4746.22	10.952

BRAKE CABLES

Funi freno a mano Cables de frein Handbremsseile

APPLICATION	Remarks	Year	LENGTH	OEM/Compares with No.	Our Ref.
FIAT					
Ulysse all	LH	05-	1041/840	1400310380	11.204
Ulysse all	RH	05-	2310/2150	1400310280-1400310180-4745.Y6/Y7	11.203
Ulysse all disc brake	LH-RH	06-	1613/1467	1400203680-4746.11	10.839
Ulysse all drum brake	LH-RH	06-	1495/1275	1400203780	10.831
Ulysse all 2.0 Jtd disc brake	LH-RH	03/07-	1255/1114	1400204180	14.801
Multipla 100-105 all	Front	98-	685	46514278	13.898
Multipla 100 16v-105 JTD	RH	98-	2014/1668	46547547	13.899
Multipla 100 16v-105 JTD	LH	98-	1132/972	46511039-46757058	13.900
Multipla disc brake	RH	98-	2081/1790	46814148	14.092
Multipla disc brake	LH	98-	1220/930	46814147	14.093
Multipla 1.6 16v Bi/Blupower	RH	98-	2063/1718	60664187	13.942
Multipla 1.6 16v Bi/Blupower	LH	98-	1143/800	60654885	13.941
Multipla RHD mod.	Front	98-	590	46556690	14.068
Multipla no Bi/Blupower RHD	LH	98-	1211/987	46556688	14.075
Multipla no Bi/Blupower RHD	RH	98-	2266/2040	46556689	14.074
Multipla RHD disc brake	LH	98-	1271/1101	46825396	14.091
Multipla RHD disc brake	RH	98-	2326/2155	46825397	14.090
Doblò Panorama	LH-RH	3/01-	1755/1465	46745155-46745157	14.071
Doblò Van	LH-RH	3/01-	1810/1475	46766308-46766309	14.070
Doblò all 1.6 16v BiPower	Rear	3/01-	1755/1495	51706677	11.255
Doblò Maxi Combi all	RH	3/05-	2130/1800	51796639	14.783
Doblò Maxi Combi all	LH	3/05-	2115/1790	51796642	14.784
Doblò Maxi Combi BiPower	Rear	3/05-	2130/1845	51816315	14.785
Doblò Panorama Combi	RH	3/05-	1780/1470	46835328	11.269
Panda all	Rear	80-	2690/1035+1035	4406021	10.071
Panda 750-1000-4X4	Rear	86-	2400/970+970	7573814	10.072
Panda all exc. 4X4	Rear	92-	2385/950+950	7757560	12.145
Nuova Panda	RH	03-	1430/1190	51708685	13.318
Nuova Panda	LH	03-	1400/1165	51708686	13.319
Nuova Panda 4x4	RH	03-	1471/1258	46829766	11.668
Nuova Panda 4x4	LH	03-	1485/1270	46829767	11.669
Panda all 1.2 ie natural power	RH	12/06-	1457/1194	51787259	14.788
Panda all 1.2 ie natural power	LH	12/06-	1437/1178	51787260	14.789
Stilo all	RH	01-	1640/1455	46819336	13.949
Stilo all	RH	01-	1680/1480	51718093	13.316
Stilo all	LH	01-	1785/1600	51702642-46819335	13.317
Palio / Siena Europa	RH	97-	1465/1240	46464658	13.570
Palio / Siena Europa	LH	97-	1515/1290	46431514	13.571
Palio / Siena Sud America	RH	97-	1405/1154	7798268	13.320
Palio / Siena Sud America	LH	97-	1400/1148	46437961	13.321
Palio all	LH-RH	99-	1400/1163	46799091-46799093	14.097
Palio / Siena all	RH	05-	1511/1285	46847417	11.443
Palio / Siena all	LH	05-	1501/1277	46847416	11.378
Coupé all	Front	94-	430	7609367-46410282	11.452
Coupé all disc brake	RH	94-	1475/1120	46401725	12.855
Coupé all disc brake	LH	94-	1520/1170	46401730	12.856
Strada P/Up	RH	02-	1710/1448	46471701	11.580
Strada P/Up	Lh	02-	1710/1448	46471702	11.653

BRAKE CABLES

Funi freno a mano Cables de frein Handbremsseile

APPLICATION	Remarks	Year	LENGTH	OEM/Compares with No.	Our Ref.
FIAT					
Barchetta all	LH-RH	96-	1520/1385	46731055	12.854
Uno all	LH	83-	505/330	5951339	10.085
Uno all	RH	83-	2025/327	5951342	10.086
Uno Turbo IE	LH	85-	565/415	7551507	10.087
Uno Turbo IE	RH	85-	2120/410	7551506	10.088
Uno CS-Smart / Duna all	Rear	87-	2840/1175+1175	5969735	10.098
Uno all exc. Turbo	LH	89-90	540/340	7661241	11.450
Uno all exc. Turbo	RH	89-90	2020/310	5951342	13.568
Uno Turbo IE	LH	89-	595/520	7661244	11.451
Uno Turbo IE	RH	89-	2100/390	7551506	13.569
Uno all exc. Turbo	LH	90-	540/330	7671310	11.673
Uno all exc. Turbo	RH	90-	2020/310	7671309	11.674
Duna all	Rear	92-	2840/1175+1175	7522590-50003039	12.147
Tipo / Tempra all	Front	88-	430	7609367-46410282-92323732	11.452
Tipo / Tempra 1.1/4/5-Ds	RH	88-	1385/1025	7615326-92323733	11.305
Tipo / Tempra 1.1-1.4-1.5-Ds	LH	88-	1425/1065	7615327-92323734	11.306
Tipo / Tempra 1.6-Tds	RH	88-	1420/1030	7615338	11.309
Tipo / Tempra 1.6-Tds	LH	88-	1470/1070	7615339	11.310
Tipo 16V /Tempra antiskid	RH	88-	1440/1135	7615342	11.307
Tipo 16V /Tempra antiskid	LH	88-	1520/1175	7615343	11.308
Tipo 16V /Tempra antiskid	LH	92-93	1510/1160	7714822	12.852
Tempra antiskid	RH	93-	1460/1120	46456850	12.068
Tempra antiskid	LH	93-	1520/1170	46401730-46456849	12.856
Croma all	Front	86-	265	82399827-60807617	10.114
Croma all	Rear	86-	2970/1400+1260	82390671-82441688	10.097
Croma all (with prot.)	Rear	92-	2970/1400+1260	82481842-46408830	12.070
Nuova Croma 1.9 Jtd-2.4 Jtd	Rear	05-	1630/1454+ 1587/1397	51753207	11.809
Nuova Croma 2.2 16v	Rear	05-	1625/1455+ 1570/1395	51753208	11.825
Ritmo all	Front	78-	890	4403012	10.108
Ritmo all	Rear	78-	2165/805+805	4387206	10.082
Ritmo / Regata all	Front	82-	405	5939142	10.109
Ritmo / Regata all	Rear	82-	3510/505+505	5939145	10.083
Ritmo Cabrio	Rear	84-	3195/390+390	5961349	10.084
Argenta all	Front	81-	450	5927360	10.113
Argenta all	Rear	81-	2700/760+780	5923974	10.095
Argenta all	Rear	83-	2390/695+695	5967866	10.096
126 all	Rear	73-	2360/735+735	4273200-92502088	10.067
126 Bis all	Rear	87-	2350/780+780	4355508	11.357
127 all exc.Brasil mod.	Rear	74-	2315/845+845	4261125/6	10.073
127 Brasil/Diesel/Panorama	Rear	81-	2315/835+835	4362077	10.074
131 all	Front	74-	270	4329622	10.112
131 all	Rear	74-	2895/1205+1110	4328812	10.093
132 all	Rear	-2/77	2460/655+675	4294024	10.091
132 all	Rear	3/77-	2800/775+755	4357023	10.094

BRAKE CABLES

Funi freno a mano Cables de frein Handbremsseile

APPLICATION	Remarks	Year	LENGTH	OEM/Compares with No.	Our Ref.
FIAT					
500 F/L/R	Rear	64-	2335/715+715	4104963-4296434	10.064
500 D/F Giardiniera	Rear	64-	2560/725+725	4104964	10.065
128 all	Rear	7/71-	2030/765+765	4261121-4261122	10.077
124 / 124 S	Front	66-	475	4144491	10.110
124 Coupè / Spyder	Front	66-	372	4162304	10.111
124 / 124 S	Rear	66-	2200/760+760	4144494-4153287	10.089
124 Coupè / Spyder	Rear	66-	2040/720+715	4151692	10.090
125 all	Front	66-	372	4162304	10.111
125 all	Rear	66-	2460/655+675	4294024-4169895	10.091
600 all		-63	660/195	875120	10.068
600 D/E	Rear	64-	2570/570+570	4104882-4046523	10.069
850 all	Rear	64-	1580/280+280	4113083	10.070
1100-1100 D		-65	3130/860+860	4052933	10.079
1100 R (type I)		-65	3030/745+745	4141308	10.080
1100 R (type II)	Rear	66-71	2980/740+740	4170237	10.081
1300 / 1500	Rear		2770/760+760	4060599	10.092
X 1/9		72-	965/675	4264913	10.078
Dino 2.4			3300/1030+1030		12.840
Commercial vehicle					
Ducato	Front	81-	1620/1430	4359202	10.119
Ducato passo lungo	Front	81-	2355/2160	5925334	10.118
Ducato	Rear	81-	2590/715+715	4450938	10.105
Ducato RHD Swb UK only	Front	81-	1890/1650	474557-5966282	12.692
Ducato RHD Lwb UK only	Front	81-	2630/2380	474558-5970619	12.693
Ducato RHD UK only	Front	94-	1140/900	1310462080	14.076
Ducato passo medio	Front	90-94	2550/2360	7660110	13.575
Ducato all	Front	94-	1060/770	1308638080-4745.G2	12.858
Ducato all	Front	01-	1078/761	1336889080-4745.V6	13.322
Ducato all	Rear	94-	3025/810+810	1307963080-4745.G3	12.859
Ducato Camping car	Rear	94-	3040/810+810	1314983080-4745.G7	14.073
Ducato all ch16158428-	Rear	-01	2806/865+865	1330058080-4745.V2	11.777
Ducato Camping car ch16158428-	Rear	-02	2825/875+875	1330066080-4745.V3	11.772
Ducato Restyling disc brake	Rear	01-	2715/890+890	1329845080-1339394080-1339676080	11.667
Ducato Restyling drum brake	Rear	01-	2825/875+875	1337440080	11.702
Ducato II all	Front	02-	1463/645	1338683080-4745.W6	11.706
Ducato II all disc brake	LH-RH	02-	955/782	1338691080-4745.W7	11.751
Ducato 4x4 only UK	Front	02-	1170/843	1337455080-4745.V7	11.764
Ducato III all Maxi mod.	LH-RH	06-	1480/1170	1348980080-4746.18	10.896
Ducato III all exc. Maxi mod.	LH-RH	06-	1385/1075	1341031080-4746.17	10.903

BRAKE CABLES

Funi freno a mano Cables de frein Handbremsseile

APPLICATION	Remarks	Year	LENGTH	OEM/Compares with No.	Our Ref.
FIAT Commercial vehicle					
Ducato III all passo 3450	Front	06-	2295/2035	1350313080-4746.27	10.935
New Ducato cab./cab. Fap mod.	Front	06-	2645/2390	1350314080-1359247080-4746.29-4746.50	14.782
New Ducato 2006/2006 Fap. Mod.	Front	06-	1910/1650	1341023080-1359245080-4745.Z9-4746.47	14.634
New Ducato 2006/2006 Fap. Mod. long body	Front	06-	2910/2650	1350315080-1359248080-4746.28-4746.49	14.635
Scudo Lwb mod.	Front	94-	903/653	1484385080-4745.P0	14.094
Scudo all	Front	95-	500/255	1472957080-4745.E9	12.829
Scudo 1.6-Ds	RH	95-	2285/2065	1473321080-4745.F3	12.831
Scudo 1.6-Ds	LH	95-	1065/770	1473322080-4745.F2	12.830
Scudo Td	RH	95-	2205/2080	1472958080-4745.F5	12.833
Scudo Td	LH	95-	1255/1065	1472959080-4745.F4	12.832
Scudo all drum brake	LH-RH	06-	1495/1275	1400203780-4746.10	10.831
Scudo all SWB corto / short	LH-RH	06-	1613/1467	1400203680-4746.11	10.839
Scudo all LWB lungo / long	LH-RH	06-	1730/1590	1400204880-4746.12	10.850
Fiorino 900 / 1050	Rear	78-	2315/845+845	4261125-4261126	10.073
Fiorino Diesel	Rear	78-	2315/835+835	4362077	10.074
Fiorino Diesel	Rear	88-	2840/1175+1175	5969735	10.098
Fiorino all	Rear	93-	2840/1175+1175	7522590	12.147
Fiorino all	Rear	93-	3105/1205+1205	7739156	12.148
Fiorino all BZ	LH	12/07-	1662/1407	51784535	14.636
Fiorino all BZ	RH	12/07-	1695/1442	51784533	14.637
Fiorino all Ds 1.3 Mj	LH	12/07-	1677/1402	51784536	14.638
Fiorino all Ds 1.3 Mj	RH	12/07-	1710/1435	51784534	14.639
Doblò Van	LH-RH	3/01-	1810/1475	46766308-46766309	14.070
Doblò Panorama	LH-RH	3/01-	1755/1465	46745155-46745157	14.071
Doblò 1.6 16v bipower	Rear	01-	1755/1465	51706677	11.255
Doblò Panorama/Combinato	LH	3/05-	1787/1458	46835328	11.269
Doblò Panorama/Combinato	RH	3/05-	1740/1447	46835327	11.377
Doblò Maxi Van/Furgone all	RH	03/05-	2135/1850	51750480	14.791
Doblò Maxi Van/Furgone all	LH	03/05-	2135/1850	51750481	14.792
Doblò Maxi Van/Furgone all BiPower	Rear	03/05-	2130/1845	51816315	14.785
Daily / Grinta passo A	Front	-85	1240/1050	93801422	10.014
Daily / Grinta passo B	Front	-85	1640/1450	93801912	10.015
Daily / Grinta passo C	Front	-85	2040/1850	93801943	10.016
Daily / Grinta twin wheels	Rear	85-	2395/955+955	93801482	10.017
Daily / Grinta single wheels	Rear	85-	2700/1090+1090	93801489	10.106
Daily / Grinta passo A	Front	85-	1200/405	93807299	11.670
Daily / Grinta passo B	Front	85-	1600/405	93807295	11.671
Daily / Grinta passo C	Front	85-	1995/405	93807304	11.672
Daily 50 C13 – 50 C15	Front	00-	1315	504003617	14.077
Daily / Grinta Turbo 49.10	Rear	-89	2500/960+960	7166079	11.358
Daily 30.8-35.10 single w.	Rear	90-	2660/1060+1060	7169715	12.149
Daily 35.8-35.10 TurboD	Rear	90-	2500/990+990	7169714	12.150
Daily 45.10 TurboD	Rear	90-	2480/980+980	7169752	12.151
Daily 35.10-45.10-49.12	Rear	-96	2730/960+960	99443478	14.078
Daily 59.12	Rear	96-	2915/1010+1010	93812499	14.079
Nuovo Daily 35.8-35.10-49.12	Rear	96-	2670/980+980	99461607	13.895
Nuovo Daily 35.8-35.10-49.12	Rear	96-	2670/980+980	99434589	13.894
New Daily passo 2.8	Front	96-	1135/775	93812314	14.080

BRAKE CABLES

Funi freno a mano Cables de frein Handbremsseile

APPLICATION	Remarks	Year	LENGTH	OEM/Compares with No.	Our Ref.
FIAT Commercial vehicle					
New Daily passo 3.3	Front	96-	1645/880	93812315	14.081
New Daily passo 3.6	Front	96-	1930/880	93812316	14.082
New Daily Turbo 59.12	Front		1520/920	93812534	14.083
New Daily Turbo 59.12	Front	96-	1810/920	93812535	14.084
New Daily Turbo 59.12	Front	96-	2160/1340	93812536	14.085
New Daily Turbo 59.12	Front	96-	2360/1560	93812537	14.086
New Daily 30/35/40.8	Front		1850/960	93815550	14.087
New Daily 30/35/40.8	Front		2200/1380	93821392	14.088
Daily Restyling 30.8 - 35.8 - 40.8 -	Front		2340/410	93808122	14.089
New Daily 35 C10/12/15	Rear	6/06-	1210/865	504201378	14.663
New Daily 30/35.8-35.10-Turbo 30.10	Rear		2930/1090+1090	99443477	14.649
New Daily 30/35/40.8-35/45.10-passo 3.6	Front		1970/940	93814579	11.829
New Daily 30/35/40.8-35/45.10-passo 3.6	Front		2290/1330	93812317	14.646
New Daily 30/35/40.8-35/45.10-passo 3.9	Front		2320/1360	93814580	14.647
New Daily passo 4.180	Front		2490/1540	93813236	14.648
New Daily-Turbo Daily passo 2.8	Front		1010/735	93821391	14.650
Talento	Front	88-	1685/1555	7641373	11.453
Talento	Rear	88-	2285/1025+1015	7641374	11.454
238	Rear		2480/670+670	4197683	10.103
241 N	Front		505	4067925	10.117
241 N-TN	Rear		1935/825+740	4153853	10.102
242-242 E			910/720	5435855-5455064	10.104
242 E 5 speed		82-	1045/850	95495405	11.311
600 DM	Rear	60-	2000/560+560	4051979	10.099
600 T / 850 T / 900 T	Front	-79	1340	4116077	10.116
600 T / 850 T / 900 T	Rear	-79	2165/760+760	4116080	10.100
900 T	Rear	80-	2170/760+760	4447750	10.101

BRAKE CABLES

Funi freno a mano Cables de frein Handbremsseile

APPLICATION	Remarks	Year	LENGTH	OEM/Compares with No.	Our Ref.
FORD					
Fiesta all	Front	76-	635	6054814-6094081	10.144
Fiesta all	Front	83-	170	1619118	10.145
Fiesta all	Front	89-	150	1656491-6502746	11.872
Fiesta all	RH	76-	500	6056818-6040602	10.124
Fiesta all	LH	76-	1310	6056822-6040610	10.125
Fiesta all	Rear	83-	2745/1150+1145	6139621	10.126
Fiesta all	Rear	86-	2775/1150+1130	1627591-6163735-6169520 6148322-6159054	11.455
Fiesta all	Rear	88-	3285/1425+1380	1659647-1659671	11.874
Fiesta all	Rear	90-91	3242/1400+1344	6658751	12.861
Fiesta all	Rear	91-93	3930/1745+1680	6723389	12.860
Fiesta all	Rear	94-	3255/1395+1387	7127225	12.862
Fiesta	Front	96-	315	1004542	13.579
Fiesta	Rear	96-	1635/1450+ 1585/1400	1018642-1035693-1042338	13.582
Fiesta Partner	Rear	96-	1930/1750+ 1880/1700	1014214	13.583
Fiesta / Fusion	Front	02-	300	1205735	14.130
Fiesta / Fusion	Rear	02-	1445/1257+ 1305/1116	1211024	14.132
Fiesta / Fusion drum brake	Rear	02-	175	1094178-1209852-1220462 1226763-1232018-1253162	14.133
Fiesta St150	Rear	02-	1750/1580- 1600/1440	1359528	14.673
Ka all	Front	96-	315	1004542	13.579
Ka all	Rear	96-	1635/1450+ 1585/1400	1018642-1035693-1042338	13.582
Ka all	Rear	8/03-	1627/1477+ 1575/1397	1306275	12.200
Ka 1.3i	Rear	2/06-10/08	1627/1448- 1575/1398	1479552	14.804
Ka 1.6i	Rear	2/06-10/08	1625/1450- 1575/1395	1479551	14.805
Puma all	Front	96-	315	1004542	13.579
Puma all	Rear	96-	1635/1450+ 1585/1400	1018642-1035693-1042338	13.582
Puma	Rear	05/99-	1633/1445	1095564-1077296	14.111
Focus all	Front	99-	326	1076707-YS4Z2853AA	14.131
Focus all disc brake	Rear	99-	1765/1585	1069082-YS4ZZA603AB	13.807
Focus all drum brake	Rear	99-	1480/1320	1069081	13.806
Focus all drum brake	Rear	02-	175	1094178-1209852-1220462 1226763-1232018-1253162	14.133
Focus all disc brake	RH-LH	03-	1765/1585	1253159-1143926	13.328
Focus all drum brake	RH-LH	03-	1480/1320	1253158	13.329
Focus all	Front	05-	332	1228027	14.671
Focus II all	Front	05-	337	1321246-1371043	12.245
Focus II disc brake	Rear	05-	1830/1700+ 1873/1745	1355127-1416442	12.259
Focus II disc brake	Rear	06-	1870/1740- 1830/1700	1416442-1355127	12.268
Focus II disc brake	Rear	07-	1855/1740- 1810/1700	1323904-1480515	14.674
Focus II drum brake	Rear	05-	230	1340832	12.241

BRAKE CABLES

Funi freno a mano Cables de frein Handbremsseile

APPLICATION	Remarks	Year	LENGTH	OEM/Compares with No.	Our Ref.
FORD					
Focus II drum brake	Rear	05-	1500/1390-1450/1340	1347494	12.728
Focus II drum brake	Rear	06-	1450/1338+1500/1388	1431308-1366384	10.868
C-Max exc. Ghia mod. disc brake	Rear	06-	1870/1740-1830/1700	1416442-1355127	12.268
C-Max exc. Ghia mod. disc brake	Rear	07-	1855/1740-1810/1700	1323904-1480515	14.674
Mondeo	Front	93-		6750550	13.576
Mondeo drum brake	LH-RH	93-	1575/1330	6924890	12.870
Mondeo SW drum brake	LH-RH	93-	1576/1330	6854704	12.872
Mondeo disc brake	LH-RH	93-	1422/1215	6944442	12.871
Mondeo SW disc brake	LH-RH	93-	1595/1340	6854705-7043631	12.873
Mondeo all	Front	94-	270	7264793	13.792
Mondeo Saloon drum brake	LH-RH	8/94-	1610/1330	1005567-1005568-1019239-1046070-1060313-1078043	13.796
Mondeo Saloon disc brake	LH-RH	8/94-	1465/1220	1038834-1050100	13.797
Mondeo SW disc brake	LH-RH	8/94-96	1647/1387	1005574	13.799
Mondeo SW disc brake	LH-RH	8/96-	1647/1387	1019240-1040768-1048069	13.793
Mondeo – Cougar	Front	00-	305	1221413-1349905	12.198
Mondeo all 4/5 doors	LH-RH	10/00-	1735/1532	1116840-1126842-1221742	14.134
Mondeo SW all	LH-RH	03-	1480/1320	1116841-1117106-1220591	14.135
Galaxy all	Interm.	95-	655	1013482	13.801
Galaxy all	LH-RH	95-	1295/1130	7201624-95VW2A603AC	13.584
S-Max all	RH	06-	2067/1854	1439906-6G912B700EE	10.664
S-Max all	LH	06-	2070/1855	1439905-6G912A635EE	10.665
Escort MK1 all		-12/74	1675/800	1464467	10.127
Escort MK2 all	Rear	75-80	1830/880	6033183-75AB2853AB	10.128
Escort / Orion all	Front	80-	175	6094082-1619118	10.145
Escort / Orion all	Front	89-	150	1656491-6502746	11.872
Escort / Orion	RH	80-	1350/1200	6081825-6130714-6137663	10.130
Escort / Orion	LH	80-	1605/1315	6092734-6130715	10.129
Escort XR3i	RH	84-	1355/1165	1613310	10.132
Escort XR3i	LH	84-	1605/1290	1613311	10.131
Escort/Orion	LH	4-8/84	1570/1275	6139442	12.868
Escort Cabrio/Orion 1.6i	RH	80-84	1350/1160	6131133	10.134
Escort Cabrio/Orion 1.6i	LH	80-84	1605/1285	6131134	10.133
Escort/Orion 1.1-1.3	Rear	84-85	2960/1300+1180	6148022-6158711	12.246
Escort/Orion 1.1-1.3-1.6-Ds	Rear	85-86	2942/1275+1140	6141433	12.247
Escort all 4WD	Rear	1/95-	1465x2+1641x2	7402918-1036208	13.795
Escort/Orion all		1-5/95	1700/1510+	1010349-1036199-7402912	14.127
Escort 1.8 zetec H/Power 2.0 16v		6/95-	1665/1480		
Escort/Orion 1.6	Rear	84-85	2984/1264+1128	6148023	12.255
Escort/Orion 1.6i	Rear	85-86	2980/1300+1170	6141434	11.359
Escort/Orion 1.6i	Rear	86-	2980/1280+1170	6161953-6168201	11.360
Escort/Orion 1.4-1.6-Ds	Rear	86-	2970/1290+1185	6161952-6168200	11.456
Escort/Orion all	Rear	90-5/91	1600/1315+1630/1380	1664644-1664872	12.248
Escort/Orion all	Rear	6/91-92	3275/1400+1311	6676122/123-6912221-6920298-6637334	12.256
Escort/Orion 1.4-1.6-1.8	Rear	92-93	3330/1380+1320	1664703	12.867

BRAKE CABLES

Funi freno a mano Cables de frein Handbremsseile

APPLICATION	Remarks	Year	LENGTH	OEM/Compares with No.	Our Ref.
FORD					
Escort Rs	Rear	91-	3150/1390+1270	6676125	12.863
Escort Cosworth	Rear	92-	3220/1030+930	7009327	12.864
Escort all	Front	95-	280	1027516-1064455	13.794
Escort all	Front	95-	280	1002209	12.197
Escort 1.3/1.4/1.6/1.8/1.8D-2.0i noAbs	Rear	93-95	3400/1460+1380	6785736	14.125
Escort 1.8 zetec H/Power-2.0 16v	Rear	6/96-	1437/1604+ 1473/1640	1036203	14.126
Escort/Orion (UK mod.)	RH	84-85	1315/1145	6139440-1637507	12.252
Escort/Orion (UK mod.)	LH	4-8/84	1585/1250	1640551	12.865
Escort/Orion (UK mod.)	LH	84-85	1580/1265	6148025-1640550	12.253
Escort 4WD (UK mod.)	Rear	6/96-	1462/1640+ 1435/1580	7402917-1036204	13.808
Escort 1.8 zetec-2.0 16v (UK mod.)	Rear	6/96-	1420/1582+ 1490/1655	1010353-1036202	13.809
Escort all	Rear	6/96-	1460/1650+ 1530/1724	7402911-1010346-1036201	13.800
Contour-Mistysque USA mod. drum brake	LH-RH	94-	1575/1331	F5RZ2A635A	12.870
Contour-Mistysque USA mod. disc brake	LH-RH	94-	1396/1188	F5RZ2A635B	14.124
Maverick 2.4-2.7 swb 3 doors	LH	2/93-	1324/1108	1954196-1961868- 365310F001	13.614
Maverick 2.4-2.7 swb 3 doors	RH	2/93-	1355/1410	1954194-1961866- 365300F001	13.615
Maverick 2.4-2.7 lwb 5doors	LH	2/93-	1470/1255	1954197-1961869- 365310F601	13.616
Maverick 2.4-2.7 lwb 5doors	RH	2/93-	1478/1262	1954195-1961867- 365300F601	13.617
Sierra all exc. 6 cyl.-4X4	Rear	82-	3310/990+880	6120901	10.140
Sierra	Rear	5/84-89	3310/985+880	6139438-1644433	13.738
Sierra all exc.6 cyl.-4X4	Rear	89-	3310/985+880	6194541	11.883
Sierra all SW-ABS mod.	Rear	84-	3380/1050+950	1656793	11.884
Sierra 6 cyl.-SW	Rear	84-	3400/1055+965	1644434	11.885
Scorpio all	Rear	95-1/96	3760/960+1028	7376434	13.802
Scorpio all	Rear	2/96-	3800/1008+1025	1026118	13.803
Scorpio/Granada all	Rear	85-94	3725/1030+930	6154286-6168203-6194542	11.361
Granada/Consul all	Rear	72-75	4380/1490+1460	1520045-1522649	11.875
Granada all	Rear	78-	3520/800+780	6057572	10.143
Capri all	Front	68-72	1525	1451800	10.147
Capri all (8 inch.)	Front	-73	1200	1461348	10.135
Capri MK2/3 1.3-1.6-2.0	Rear	74-	2040/700	1561302	10.136
Capri MK2/3 2.8-3.0	Rear	74-	1970/920	6034286	10.137
Taurus / Cortina	Rear	-75	3180/810+780	1505906/07	10.138
Taurus / Cortina	Rear	75-	3190/860+785	6041419	10.139

BRAKE CABLES

Funi freno a mano Cables de frein Handbremsseile

APPLICATION	Remarks	Year	LENGTH	OEM/Compares with No.	Our Ref.
FORD Commercial vehicle					
Transit 100	Rear	65-	2660/900x2+275	1503957	10.148
Transit 100	Rear	76-	2875/1050x2+275	6049290	10.149
Transit twin wheels	Rear	72-	2470/1040+810	1503958	10.150
Transit twin wheels	Rear	76-	2400/1030+800	6048437	10.151
Transit 80-120	Rear	86-	2980/1070x2+275	6166967	11.312
Transit 100 L	Rear	86-	2870/1010x2+275	6166969	11.313
Transit 130	Rear	86-	2395/820x2+275	6166968	11.314
Transit 75-125 (UK only)	Rear	76-	2875/1230+970	6049291	12.254
Transit single wheels	Rear	91-	2825/980x2+235	92VR2853AD-6658706	13.580
Transit twin wheels	Rear	91-	2730/950x2+235	92VR2853CD-6658707	13.581
Transit	Front	4/00-	910/486	4041447	14.114
Transit	Front	4/00-	1052/632	4041448	14.128
Transit FWD Van-Kombi	Rear	4/00-	1263/971	4095179	14.115
Transit FWD Cab	RH	4/00-	1310/1018	4095178	14.116
Transit FWD Cab	LH	4/00-	1648/1355	4120677	14.117
Transit RWD Van-Kombi-Bus	RH	4/00-	1282/993	4041988-4331043	14.118
Transit RWD Van-Kombi-Bus	LH	4/00-	1528/1238	4122075-1331046	14.119
Transit LWD Van-Kombi	LH	4/00-	1545/1250	4095181-4104571-4400344-4519422	13.327
Transit RWD Cab single wheels	RH	4/00-	1386/1093	4041986	14.120
Transit RWD Cab single wheels	LH	4/00-	1608/1315	4331044	14.121
Transit RWD Cab double wheels	RH	4/03-	1332/1040	4457990-4654291	14.670
Transit RWD Cab double wheels	RH	4/00-	1260/967	4041987-4077635-4331042	14.122
Transit RWD Cab double wheels	LH	4/00-	1528/1235	4331045-4469261-4457993	14.129
Transit all SWB	Intermed.	4/00-	1083	4041992-4060871	14.675
Transit all SWB	Intermed.	4/00-	1534	4041993-4060872	14.676
Transit connect small	Rear	03-	1785/1584x2	4419300-4439339-4539856-2T142A603AG	14.136
Transit connect large	Rear	03-	1976/1774	4419301-4439343-4539858-2T142A603BG	14.137
Transit connect small Abs	Rear	03-	1980/1771+1771	4367116-4388054-4407359-4419302-4439345-4480912	14.138
Transit connect large Abs	Rear	03-	1998/1865x2	4105357-4367117-4388055-4407360-4419303-4439347-4480913-27142A603DG	14.139
Transit FWD Van-Kombi-Bus	RH	03-	1283/990	4519421	13.330
Transit FWD cab.	Rear rh	03-	1350/1050	4519419	14.672
Escort Van	Rear	80-84	3160/1360+1285	6092885-6112878	11.869
Escort Van	Rear	84-	3190/1375+1290	6148024	11.870
Escort Van	Rear	9/90-	1675/1465+1695/1385	6600956	12.249
Escort Van	Rear	93-95	3400/1460+1380	6785736	14.125
Escort Van	Rear	9/91-	3300/1470+1390	6676124	12.866
Escort Van	Rear	95-5/95	1549/1751	1010351-1036229	13.804
Escort Van	Rear	6/95-	1527/1733	1010352-1036230-7402914	13.805
Kuga all	Front	2/08-	360	1517528	14.806

BRAKE CABLES

Funi freno a mano Cables de frein Handbremsseile

APPLICATION	Remarks	Year	LENGTH	OEM/Compares with No.	Our Ref.
HONDA					
Civic	Front	73-78	1275	47510657921	12.221
Civic	Front	78-	1340	47510659020	12.222
Civic	LH	84-	1425/1240	47560SB3033	12.227
Civic	RH	84-	1425/1240	47510SB3033	12.228
Civic 4 doors all	LH	84-86	1495/1301	47560SB4063	12.935
Civic 4 doors all	RH	84-86	1495/1301	47510SB4063	12.934
Civic drum brake	LH	87-91	1515/1350	47560SH3013	12.877
Civic drum brake	RH	87-91	1515/1350	47510SH3013	12.878
Civic disc brake	LH	87-91	1655/1480	47560SH3932/SH7013	12.879
Civic disc brake	RH	87-91	1655/1480	47510SH3932/SH7013	12.880
Civic drum brake	LH	92-	1480/1305	47560SR3N01	12.881
Civic drum brake	RH	92-	1480/1315	47510SR3N01	12.882
Civic disc brake	LH	92-	1615/1445	47560SR3931/SR3933	12.883
Civic disc brake	RH	92-	1620/1440	47510SR3931/SR3933	12.884
Civic 1.4 5 doors	LH		1630/1450	47560ST3E13	14.109
Civic 1.4 5 doors	RH		1655/1470	47510ST3E11	14.110
Civic all	RH	95-98	1542/1358	47510SR4A01	14.664
Civic all	LH	95-98	1535/1352	47560SR4A01	14.665
Concerto 1.4-1.5 drum br.	RH	90-	1530/1350	47510SK3E12/SK3Z50	12.235
Concerto 1.4-1.5 drum br.	LH	90-	1505/1330	47560SK3E12/SK3Z50	12.874
Concerto 1.6 disc brake	RH	90-	1680/1480	47510SK3E01/SK3Z60	12.875
Concerto 1.6 disc brake	LH	90-	1655/1455	47560SK3E01/SK3Z60	12.876
Accord 1.6-1.8	Front	77-78	1945/1625	47510671003	12.223
Accord	LH	79-81	695	47521671670	12.229
Accord	RH	79-81	595	47520671671	12.230
Accord drum brake	LH	82-85	1535/1340	47560SA5023	12.231
Accord drum brake	RH	82-85	1535/1340	47510SA5023	12.232
Accord drum brake	LH	85-89	1705/1525	47560SE0010/SE0020	12.887
Accord drum brake	RH	85-89	1705/1525	47510SE0010/SE0020	12.888
Accord drum brake	LH	90-	1790/1575	47560SM4A03	12.889
Accord drum brake	RH	90-	1800/1585	47510SM4A03	12.890
Accord disc brake	LH	82-85	1615/1430	47560SA5952/SA5955	12.891
Accord disc brake	RH	82-85	1615/1425	47510SA5952/SA5955	12.892
Accord disc brake	LH	85-89	1785/1600	47560SE0932/SE0933	12.893
Accord disc brake	RH	85-89	1805/1600	47510SE0932/SE0933	12.894
Accord disc brake	LH	89-92	1855/1640	47560SM4955/SM5952	12.895
Accord disc brake	RH	89-92	1855/1635	47510SM4955/SM5952	12.896
Accord disc brake	LH	92-	1870/1640	47560SN7953	12.897
Accord disc brake	RH	92-	1870/1640	47510SN7953	12.898
Accord disc brake	RH	98-03	1736/1510	47510S1AE04	14.666
Accord disc brake	LH	98-03	1721/1495	47560S1AE04	14.667
Prelude	Front	79-	535	47520692670	12.224
Prelude	Front	80-	550	47520692671	12.225
Prelude	LH-RH	79-81	1855/1540	47510692003	12.226
Prelude	LH	82-	1470/1295	47560SB0672	12.233
Prelude	RH	82-	1470/1295	47510SB0672	12.234
Prelude AB+BA2 1.8	LH	84-88	1530/1365	47560SB0053	12.899
Prelude AB+BA2 1.8	RH	84-88	1530/1365	47510SB0053	12.900
Prelude 2.0 16V	LH	84-88	1540/1365	47560SF0013	12.901
Prelude 2.0 16V	RH	84-88	1540/1370	47510SF0013	12.902
Prelude BA4 2.0	LH	88-	1810/1650	47560SF1003	12.903
Prelude BA4 2.0	RH	88-	1810/1635	47510SF1003	12.904

BRAKE CABLES

Funi freno a mano Cables de frein Handbremsseile

APPLICATION	Remarks	Year	LENGTH	OEM/Compares with No.	Our Ref.
HONDA					
Acura Integra	LH	-99	1660/1480	47560SR4934	14.102
Acura Integra	RH	-99	1665/1485	47510SR4933	13.333
HR-V 3doors	LH	98-06	1480/1225	47560S2H013	14.839
HR-V 3doors	RH	98-06	1428/1167	47510S2H013	14.840
HR-V 5doors	LH	98-06		47560S4N013	14.841
HR-V 5doors	RH	98-06		47510S4N013	14.842

HYUNDAI

Accent all	LH	-10/95	1505/1335	59760.22000	13.564
Accent all	RH	-10/95	1505/1332	59770.22000	13.565
Accent all	LH	11/95-	1485/1320	59760.22100/22110/25000	13.566
Accent all	RH	11/95-	1485/1318	59770.22100/22110/25000	13.567
Accent all Hatchback	LH	02-	1493/1295	59760.25200	14.618
Accent all Hatchback	RH	02-	1493/1295	59770.25200	14.619
Pony / Excel / Scoupe	LH-RH	88-90	1455/1215	59760.21320-59770.21320	12.906
Pony / Excel / Scoupe	LH	91-93	1505/1320	59760.28000	12.908
Pony / Excel / Scoupe	RH	91-93	1515/1330	59770.28000	12.909
Pony / Excel	LH-RH	-9/88	1445/1250	59760.21000	12.905
Pony 1.2-1.4	LH-RH	78-	1260/885	59760.11000	12.134
Pony 1.2-1.4		78-	1265/910	59770.11000	12.136
Stellar	Rear	86-	3010/750+710	59750.31010	12.135
Stellar	Rear	87-	2910/740+690	59750.31200/32300	12.137
Sonata disc brake	LH	95-	1829/1643	59760.34102	14.057
Sonata disc brake	RH	95-	1827/1643	59770.34102	14.058
Santafè	LH	01-	1741/1526	5991226150	14.630
Santafè	RH	01-	1776/1571	5991326150	14.631
Getz all drum brake	LH	03-	1610/1363	5976001C300	14.614
Getz all drum brake	RH	03-	1620/1373	5977001C300	14.615
Getz all disc brake	LH	03-	1590/1362	5976001C000	14.616
Getz all disc brake	RH	03-	1600/1375	5977001C000	14.617
Getz all 3 doors	LH	03-	1584/1341	597601C800	14.612
Getz all 3 doors	RH	03-	1593/1350	597701C800	14.613
Atos 1.0 all	LH	98-	1504/1318	59760.02010/02020	14.059
Atos 1.0 (-ch980901)	RH	98-	1522/1335	59770.02010	14.060
Atos 1.0 (ch980901-)	LH	98-	1520/1332	59770.02020	14.061

BRAKE CABLES

Funi freno a mano Cables de frein Handbremsseile

APPLICATION	Remarks	Year	LENGTH	OEM/Compares with No.	Our Ref.
-------------	---------	------	--------	-----------------------	----------

HYUNDAI

Elantra 1.6/2.0 w/Abs	LH	6/00-	1601/1416	59760.2D310	14.062
Elantra 1.6/2.0 w/Abs	RH	6/00-	1587/1402	59770.2D310	14.063
Lantra all drum brake	LH	96-	1578/1362	5976029001	14.620
Lantra all drum brake	RH	96-	1571/1357	5977029001	14.621
Lantra all disc brake	LH	96-	1436/1260	5976029301	14.622
Lantra all disc brake	RH	96-	1428/1250	5977029301	14.623
Matrix all	LH	01-	1650/1405	5976017010	14.628
Matrix all	RH	01-	1718/1475	5977017010	14.629
Coupè all drum brake	LH	94-	1520/1305	59760.27001	14.064
Coupè all drum brake	RH	94-	1512/1295	59770.27001	14.065
Coupè all disc brake	LH	94-	1377/1199	59760.27300/27301	14.066
Coupè all disc brake	RH	94-	1370/1192	59770.27300/27301	14.067
Coupè all drum brake	LH	02-	1430/1281	59760.2C300	14.624
Coupè all drum brake	RH	02-	1430/1297	59770.2C300	14.625
Coupè all disc brake	LH	02-	1425/1280	59760.2C320	14.626
Coupè all disc brake	RH	02-	1430/1280	59770.2C320	14.627

INNOCENTI

Elba all	Rear	87-91	2840/1175+1175	5969735	10.098
Elba all	Rear	92-	2840/1175+1175	7522590	12.147
Minitre 500-650-900-Small	LH-RH	85-	1530/1155	55.8021.107-55.8027.107	10.155
Minitre 990-Small	LH-RH	86-	1700/1315	55.8000.108	11.362
Mini Minor	LH-RH	-76	1555	38806105	10.152
Mini T	LH-RH	-76	1685	38802106	11.886
Mini 90-120-De Tomaso	LH-RH	77-	1440	53801105	10.153

ISUZU

Trooper	LH	2/89-91	1375/1150	8970152980-8943667860	12.914
Trooper	RH	2/89-91	1415/1190	8970153010-894366891	12.918
Trooper 2600 mid/ch	LH	87-89	1395/1150	8942240300-8944238541	12.915
Trooper 2800 mid/ch	RH	87-89	1565/1265	8943240290	14.145
Trooper	RH	87-89	1710/1520	8942287450	12.919
Trooper Lwb	RH	92-94	1655/1470	8970181533	12.917
Trooper Lwb	LH	92-94	1360/1165	8970181554/55	12.916
Trooper Swb	LH	92-94	1455/1260	8970181565/66	12.920
Trooper Swb	RH	92-94	1715/1525	8970181545	12.921

BRAKE CABLES

Funi freno a mano Cables de frein Handbremsseile

APPLICATION	Remarks	Year	LENGTH	OEM/Compares with No.	Our Ref.
ISUZU					
Pick Up / Luv 2300	LH	89-		8943667702-894366774	14.141
Pick Up / Luv 2300	RH	89-		8943667692	14.142
Faster Pick Up Tfr-Tfs 2WD	LH	89-	1605/1365	8943667700	12.911
Faster Pick Up Tfr-Tfs 2WD	RH	89-	1685/1445	8943667690	12.910
Faster Pick Up Tfr 2WD	LH	7/99-	1812/1640	522.523-97217149	12.749
Faster Pick Up Tfr 2WD	RH	7/99-	1872/1700	522.520-97174665	12.772
Faster Pick Up Tfr 2WD	Interm.	88-6/99	1778	522.619-94367286	12.738
Faster Pick Up Tfs 4WD	LH	7/99-	1798/1630	522.429-97111566	12.780
Faster Pick Up Tfs 4WD	RH	7/99-	2858/1700	522.428-97111565	12.791
Faster Pick Up Tfs 4WD	Interm.	88/6-99	1380/1325	4303489-94367287	12.796
KB 26 / C 190	Centr.	81-83	905/615	8942287450	12.146
KB 20 Pick Up	Rear	-76	4180/1415+1415	5461511300-94024105	12.267

LADA

Niva	Front		380	2121.3508068	10.158
Niva	Rear		2130/775+775	2121.3508180	10.159
Samara all	LH-RH		1625/1390	2108.3508180	11.675
2101/ 2105 1.2-1.3-1.5-1.6	Front		475	2101.3508068	10.110
2101/ 2105 1.2-1.3-1.5-1.6	Rear		2510/865+865	2101.3508180	10.157

LANCIA-AUTOBIANCHI

Y10	Rear	85-	2395/970+970	5972833	10.072
Y10	Rear	92-	2395/975+975	7757560	12.145
Y10 4WD	Rear	86-	2690/1035+1035	4406021	10.071
Y all	RH	96-	1415/1250	82487709	12.922
Y all	LH	96-	1395/1230	82487780	12.923
Ypsilon	Rear	03-	1425/1200	46813948	12.269
Lybra all	Front	99-	385	7773616	12.841
Lybra all	RH	99-	1222/900	46546713	13.904
Lybra all	LH	99-	1266/945	46546714	13.905
Musa	Rear	04-	1530/1305	51731443-51770286	14.098
Musa	Rear	04-	1555/1305	46847434-51770287	14.099
Musa	Rear	4/08-	1615/1430	51804860	14.790

BRAKE CABLES

Funi freno a mano Cables de frein Handbremsseile

APPLICATION	Remarks	Year	LENGTH	OEM/Compares with No.	Our Ref.
LANCIA-AUTOBIANCHI					
Phedra all	Front	6/02-	500/255	1487276080-4745.T5	12.829
Phedra all	RH	6/02-	2360/2220	1487275080-4745.T7-	14.095
Phedra all	LH	6/02-	1068/840	1487274080-4745.T6	14.096
Phedra all	Front	05-	500/305	1400813580-4746.22	10.952
Phedra all 2.0 Jtd disc brake	LH-RH	07-	1255/1114	1400204180	14.801
Zeta all	Front	95-	500/255	1472957080	12.829
Zeta all disc brake	RH	95-	2205/2080	1472958080	12.833
Zeta all disc brake	LH	95-	1255/1065	1472959080	12.832
Zeta all drum brake	RH	94-	2205/2080	1473321080	12.831
Zeta all drum brake	LH	94-	1065/770	1473322080	12.830
Kappa all	Front	95-	311	82488247	12.924
Kappa all	RH	95-	1300/1175	82488245	12.925
Kappa all	LH	95-	1345/1221	82488246	12.926
Delta / Prisma	Front	80-	595	82349790-82358459	10.168
Delta / Prisma	Front	86-	290	82416095	11.363
Delta	Front	93-	430	92323732-7609367	11.452
Delta / Prisma 1.3-1.5	Rear	80-	2885/1240+1240	82335639	10.169
Delta / Prisma 1.6-HF-Tds	Rear	83-	2510/1130+1130	82390483	10.170
Delta / Prisma 1.3-1.5	Rear	86-	3110/1400+1400	82416097	11.364
Delta / Prisma 1.6-HF-Tds	Rear	86-	2075/1230+1230	82416096	11.365
Delta Integrale/Prisma 4WD	Rear	86-	2885/1320+1320	82410629	11.366
Delta 1.4-1.6	RH	93-	1386/1025	7615326	11.305
Delta 1.4-1.6	LH	93-	1425/1063	7615327	11.306
Delta 1.8-2.0 16V	RH	93-	1440/1135	7615342	11.307
Delta 1.8-2.0 16V	LH	93-	1520/1175	7714822	12.857
Delta all	RH	7/08-	1760/1567	51808304	14.807
Dedra	Front	89-	420	92323732-7609367	11.452
Dedra 1.6	RH	89-	1385/1025	7615326	11.305
Dedra 1.6	LH	89-	1425/1063	7615327	11.306
Dedra 1.8-2.0-TD-1.6 Antiskid	RH	89-	1440/1135	7615342	11.307
Dedra 1.8-2.0-TD-1.6 Antiskid	LH	89-	1480/1175	7615343	11.308
Dedra 1.8-2.0-TD-1.6 Antiskid	LH	92-	1495/1160	7714822	12.857
Dedra Integrale	LH	91-	2415/790	82464806	12.276
Dedra Integrale	RH	91-	1190/800	82464807	12.277
Thema all	Front	11/84-	265	82399827	10.114
Thema all	Rear	11/84-	2970/1400+1260	82390671-82441688	10.097
Thema all (with prot.)	Rear	92-	2970/1400+1260	82481842	12.070
A112 all	Rear	74-	2625/1150+1150	4261127	10.160
Beta all	Rear	-10/79	2170/930+930	82291382-82334114	10.165
Beta / Trevi all	Rear	11/79-	2200/960+960	82370168	10.166
Beta Montecarlo	Rear		1990/735+710	4345206	11.460
Gamma all	Rear		2400/1040+1040	82306816	10.167
Flavia / Fulvia 5 speed	Rear		1940/670+670	81820868	10.163
Fulvia 5 speed (type 2)	Rear		1935/675+675	81305065	10.164

BRAKE CABLES

Funi freno a mano Cables de frein Handbremsseile

APPLICATION	Remarks	Year	LENGTH	OEM/Compares with No.	Our Ref.
MAZDA					
Mazda 3 all	Front	03-	345	BP4K44150C	12.371
Mazda 3 all	LH	03-	1830/1700	BP4K44420K	12.279
Mazda 3 all	RH	03-	1875/1745	BP4K44410L	12.280
Mazda 5 all	LH	05-	1828/1700	C23644420E	14.694
Mazda 5 all	RH	05-	1810/1680	C23644410E	14.693
Mazda 6 all	Rear	05-	1645/1432+ 1640/1432	GJ6A44410A/C	14.695
323 1.3-1.4		77-	1265/370	395844410	12.298
323 SW		77-	1350/835	856544410	12.299
323		81-8/85	2275/1520	B00144150/150D/150E	12.946
323 1.1-1.5	LH	9/85-	1410/825	B09244420D/A	12.948
323 1.1-1.5	RH	9/85-	1420/835	B09244410D/A	12.947
323 1.1-1.5	Front	9/85-	215	B09244150	12.949
323 BG 1.3-1.5-1.7	LH	89-94	1470/1280	B46744420D	12.950
323 BG 1.3-1.5-1.7	RH	89-94	1500/1330	B46744410D	12.951
323 BG 5 doors	LH	89-94	1505/1325	B45544420D/E	12.952
323 BG 5 doors	RH	89-94	1465/1275	B45544410D/E	12.953
323 BF Wagon	LH	86-88	1420/760	B21644420B/C	12.954
323 BF Wagon	RH	86-88	1420/760	B21644410B/C	12.955
323 BF disc brake	LH	85-89	1341/754	B10744420E	14.157
323 BF disc brake	RH	85-89	1333/754	B10744410E	14.156
323 BG	Front	89-96	280	B45544150	12.372
323 BG 4/5 doors 2/4 WD disc br.	LH	2/89-96	1404/1210	B46144420C	12.275
323 BG 4/5 doors 2/4 WD disc br.	RH	2/89-96	1404/1210	B46144410C	12.272
323 BA 4 doors	LH	4/94-98	1653/1450	BC1D44420B/C	12.284
323 BA 4 doors	RH	4/94-98	1653/1450	BC1D44410B/C	12.290
323 BA1 – 323 F 2.0i	LH	4/94-98	1519/1312	BC1E44420D	12.364
323 BA1 – 323 F 2.0i	RH	4/94-98	1516/1312	BC1E44410C	12.363
323 P 5 doors 1.3-1.5-Ds	LH	10/96-98	1545/1345	BC1B44420A	13.338
323 P 5 doors 1.3-1.5-Ds	RH	10/96-98	1545/1355	BC1B44410A	13.337
323 BJ all disc brake	LH	98-03	1693/1480	GE7C44420D	13.342
323 BJ all disc brake	RH	98-03	1715/1500	GE7C44410D	13.341
323 BJ all drum brake	LH	98-03	1640/1375	B25D44420B/C	12.278
323 BJ all drum brake	RH	98-03	1660/1394	B25D44410B/C	12.691
626 all	LH-RH	79-	1410/435	823944410	12.302
626 all	RH	83-87	1590/890	G03044410E/F	12.695
626 all	LH	83-87	1590/890	G03044420E/F	12.696
626 1.6-2.0	Front	82-87	235	G03044150B	12.956
626 1.6-2.0	Front	6/87-	255	GJ2144150	12.957
626 disc brake	RH	6/87-	1685/1510	G21344410A/C/E	12.958
626 disc brake	LH	6/87-	1700/1535	G21344420F	12.959
626 drum brake	RH	6/87-	1630/1420	G21744410C/F/G	12.960
626 drum brake	LH	6/87-	1650/1440	G21744420B/H	12.961
626 1.6-2.0 / MX6	LH	89-91	1640/1470	GJ2544420G/H/J	12.962
626 1.6-2.0 / MX6	RH	89-91	1630/1460	GJ2544410D/E/G	12.963
626 1.6-2.0 (OHC)	LH	9/87-	1585/1380	GJ2144420K	12.964
626 1.6-2.0 (OHC)	RH	9/87-	1575/1365	GJ2144410H	12.965
626 GT disc brake	LH	85-88	1585/995	G03744420E/G	12.966
626 GT disc brake	RH	85-88	1585/995	G03744410E/G	12.967
626 GE- MX6 all	Front	2/92-97	250	GA5R44150C	13.336
626 GE- MX6 all	LH	2/92-97	1655/1445	GA5R44420D	13.811
626 GE- MX6 all	RH	2/92-97	1655/1445	GA5R44410C	13.810
626- MX6 all	Front	98-		GD7A44150	14.146

BRAKE CABLES

Funi freno a mano Cables de frein Handbremsseile

APPLICATION	Remarks	Year	LENGTH	OEM/Compares with No.	Our Ref.
MAZDA					
626- MX6 all	LH	98-	1725	GD7A44420	14.148
626- MX6 all	RH	98-	1725	GD7A44410	14.147
626 4/5 doors drum brake	LH	98-	1665/1433	GE4T44420D/B	13.340
626 4/5 doors drum brake	RH	98-	1685/1453	GE4T44410D/B	13.339
626 4/5 doors disc brake	LH	98-	1693/1480	GE7C44420D/B	13.342
626 4/5 doors disc brake	RH	98-	1715/1500	GE7C44410D/B	13.341
626 all	LH	00-02	1764/1555	G14T44420B	14.696
626 all	RH	00-02	1777/1570	G14T44410B	14.697
MX3 all	LH	92-	1345	EA034420A	13.813
MX3 all	RH	92-	1340	EA034410A	13.812
MX5 all	LH	98-	1175/1002	NA0144420B	14.691
MX5 all	RH	98-	1175/1002	NA0144410B	14.692
929 - 929 SW	LH	74-79	1420/480	174544410	12.304
929		80-81	1700/440	859544410	12.305
929		82-	1395/480	H00144410H	12.308
929		84-	1350/485	H12044410	12.309
616 1.6		70-73	1365/300	230544410	12.300
616		9/73-78	1340/310	194244410A	12.301
E 1.8-2.0-2.2 Van/Wagon	LH-RH	84-	1900/1170	S08344410A/B/C	12.968
121	Front	96-	312	1004542-1079068	13.579
121	Rear	96-	1635/1582	1E0044410A	13.582
Pick Up B 1600 long body	LH	85-	2555/1338	UB7144420	14.150
Pick Up B 1600 long body	RH	85-	2739/1160	UB7144410	14.149
662/1200	Front	79-	2789/2557	075544150	14.153
662/1200	LH	79-	860/233	020844420	14.155
662/1200	RH	79-	598/257	020844410	14.154

MERCEDES

A Class all LWB long	Front	97-98	1153/665	168.420.2085	12.497
A Class 140-160-170D -ch.a000001	LH	98-	1062/498	168.420.0285	13.816
A Class 140-160-170D ch.a000002-	LH	98-	1065/505	168.420.1485	13.817
A Class 140-160-170D	LH	98-	1056/503	168.420.1785	14.197
A Class 140-160-170D	RH	98-	732/500	168.420.0585/1585	13.814
A Class ch. J016124-	RH	97-98	987/385	168.420.1385	12.499
A Class LWB short	Front	6/99-	987/385	168.420.1685	12.498
A Class 190/210 Evolution	LH	6/99-	1038/520	168.420.1985	13.357
A Class 190/210 Evolution	RH	6/99-	685/520	168.420.0785	13.358
A Class 190	LH	3/01-02	1046/520	168.420.0685	13.356
A Class all	Front	05-	1307/1105	169.420.0985	12.583
A Class all	LH	05-	587/476	169.420.1185	12.595
A Class all	RH	05-	1215/1065	169.420.1285	12.619

BRAKE CABLES

Funi freno a mano Cables de frein Handbremsseile

APPLICATION	Remarks	Year	LENGTH	OEM/Compares with No.	Our Ref.
MERCEDES					
B Class all	Front	05-	1307/1105	169.420.0985	12.583
B Class all	LH	05-	587/476	169.420.1185	12.595
B Class all	RH	05-	1215/1065	169.420.1285	12.619
C Class 180-200/220-250D-280	Front	94-	2570/2370	202.420.0887/.1685	12.971
C Class 180-200/220-250D-280	LH	94-	965/805	202.420.0185/.2285	12.972
C Class 180-200/220-250D-280	RH	94-	930/700	202.420.0285/.2385	12.973
C Class	Front	94-00	2555/2400	202.420.3285	13.359
C Class all-T mod. All	Front	94-00	2158/2005	203.420.0685	13.361
C Class Sport-Coupè/Clk	Front	94-00	2067/1933	202.420.3385	13.360
C Class Sport-Coupè/Clk	Front	00-	2735/2586	203.420.0185/.0985	13.362
C Class all	LH	00-	925/805	203.420.0285	13.363
C Class all	RH	00-	900/785	203.420.0385	13.364
E Class 200-220D-300-420D	Front	95-	2613/2423	210.420.1885/0885	14.184
E Class 200-220D-300-420D	LH	95-	1070/830	210.420.1085/1485	13.819
E Class 200-220D-300-420D	RH	95-	1050/810	210.420.1185/1585	13.818
E Class all	Front	02-	1433/1290	211.420.0585	13.365
E Class all	Front	02-	1950/1810	211.420.0185	13.366
E Class all	LH-RH	02	1725/1557	211.420.0285/0385	13.367
M Class Swb ML320-230-	Front	98-	1445/1276	163.420.0385	13.371
M Class Swb ML320-230-	Front	98-	1780/1600	163.420.0285	13.372
M Class Swb ML320-230-	LH	98-	2025/1868	163.420.0785-501.210.310E	13.373
M Class Swb ML320-230-	RH	98-	1930/1775	163.420.0885-501.210.311C	13.374
M Class ML320	LH-RH	05-	817/715	164.420.0385-164.420.2385	14.723
S Class all	Front	99-		220.420.0985	13.368
S Class all	LH	99-	992/814	220.420.2785	13.369
S Class all	RH	99-	978/800	220.420.2885	13.370
SLK 200/230	LH	97-	1005/837	170.420.0385	14.198
SLK 200/230	RH	97-	994/823	170.420.0485	14.199
SLK 200/280/350/55 AMG	LH	04-	760/646	171.420.0185	14.721
SLK 200/280/350/55 AMG	RH	04-	1004/780	171.420.0285	14.720
190 all	Front	84-	540	201.420.0485	11.457
190 SL	Front	84-	335	121.420.0085	11.458
190-190 E all	Rear	6/83-85	1060/808	201.420.0685/.1185	11.459
200D-230-250S	Centr.	68-	1685/1435	115.420.1685	12.975
200-200D-220/D-250-280	Rear	68-73	1510/850	115.420.2685	10.176
200/8-280/8	Rear	73-76	1500/825	115.420.2785	10.177
200/8-250/8-300D-300TD	LH	76-	1645/1235	123.420.0485	10.178
200/8-250/8-300D-300TD	RH	76-	1625/1330	123.420.0585	10.179
200D-220D-230-240D/TD	Centr.	76-	1740/1400	123.420.0285	12.327
280SEL-300SL (USA mod.)	Front	12/79-	2640/2445	126.420.0885	13.376
260-280-380-420-500	LH	12/79-	1090/880	126.420.1685	13.611
260-280-380-420-500	RH	12/79-	1110/900	126.420.1785	13.612
200-230-250-300 E/D/TE/TD	Front	85-	2515/1920	124.420.1085/.2685	11.896
230-300 CE	Front	85-	2430/1920	124.420.1285/.2585	11.897
200-230-250-260-300 all	Rear	85-	1070/835	124.420.1185	11.459
300-400-500-600 SE-SEL-3000 Turbo Ds	Rear	79-91	1121/911	140.420.1085/2085	14.186

BRAKE CABLES

Funi freno a mano Cables de frein Handbremsseile

APPLICATION	Remarks	Year	LENGTH	OEM/Compares with No.	Our Ref.
MERCEDES Commercial vehicle					
Vaneo 1.6/1.9 Cdi (414)	Front	02/02-	1463/860	414.420.0185	12.526
Vaneo 1.6/1.9 Cdi (414)	LH	02/02-	1038/520	168.420.1985	13.357
Vaneo 1.6/1.9 Cdi (414)	RH	02/02-	685/520	168.420.0785	13.358
L206-L207-L306-L307		73-	1200/750	603.420.0185/.0285	13.596
207D-208-210-308-310	Front	77-	210	601.420.1585	13.609
207D-208/10-308/10 Swb	Centr.	77-	830	601.420.1685	13.598
207D-208/10-308/10 Mwb	Centr.	77-	1130	601.420.1785	13.599
207D-208/10-308/10 Lwb	Centr.	77-	1480	601.420.1885	13.602
207D-208/10-308/10-601/2	Rear	77-	1800/930	601.420.1185	12.976
207D-310D	RH	86-	1860/950	601.420.3485/.4785	13.608
207D-310D	LH	86-	1860/950	601.420.3385/.4685	13.607
309B-309D / L408G	Rear		3965/650+650	309.420.1385/.1685	13.600
309B-309D / L408G	Rear	-89	5035/650+650	309.420.1485/1785	13.601
609-611-709-711-714-809-811/D	LH	86-94	1023/732	668.420.2885-668.420.4285	12.529
609-611-709-711-714-809-811/D	RH	86-94	1108/817	668.420.2985-668.420.4385	12.564
MB 100-120-140	Front	9/87-	1650/490	631.420.1985	13.597
MB 140-160-180	Front	9/87-	1420/490	631.420.2085	13.610
MB130	Front		1080	631.420.0185	13.343
MB150	Front		1330	631.420.0285	14.202
MB 100-120-140-160-180	LH-RH	9/87-	1440/1020	631.420.1285	12.974
MB130-150	LH		1535	631.420.0485	14.203
MB130-150	RH		1695	631.420.0585	14.204
Sprinter single wheels	Front	97-	1990/285	901.420.2185-2D0.609.701A	12.484
Sprinter double wheels	Front	97-	2440/285	904.420.0485-2D0.609.701D	13.375
Sprinter ch 3000-903663/01	Front	97-	1435/285	901.420.2085-2D0.609.701	13.344
Sprinter ch 3000-903663/06	Front	97-	1415/285	901.420.2785	13.345
Sprinter ch 3550-903663/02-4	Front	97-	1970/285	901.420.2180-904.420.0385-	13.346
Sprinter ch 4025-903663/03	Front	97-	2460/285	901.420.2285-2D0.609.701B	13.347
Sprinter ch 3000	LH-RH	97-	1515/1330	901.420.1885-2D0.609.721	13.348
Sprinter ch 3000 tel WDB903663 mod.701408/2/3	LH-RH	97-	1545/1360	901.420.2885	13.349
Sprinter ch 3550	LH	97-	1525/1350	904.420.0185-2D0.609.721A	13.350
Sprinter ch 3550 tel WDB903663 mod.701408/2.4T	RH	97-	1525/1350	904.420.0285-2D0.609.722	13.351
Sprinter ch 3550 tel WDB903663 mod.701408/05	LH	97-	1565/1390	904.420.0585	13.352
Sprinter ch 3550 tel WDB903663 mod.701408/05	RH	97-	1565/1390	904.420.0685	13.353
Sprinter mod.410/411/412	LH	97-	1680/1505	667.420.4685	13.354
Sprinter mod.410/411/412	RH	97-	1680/1500	667.420.4785	13.355
Sprinter all ch 3250	Front	06-	1468/365	906.420.2485-2E3.609.701A	14.706
Sprinter all ch 3250 cab. rib.	Front	06-	1375/271	906.420.2885-2E3.609.701R	14.709
Sprinter all ch 3665	Front	06-	1867/365	906.420.2285-2e0.609.721L	14.707
Sprinter all ch 3665 cab. rib.	Front	06-	1771/271	906.420.2685-2E0.609.701P	14.710
Sprinter all ch 4325	Front	06-	2522/365	2E0.609.701M	14.708
Sprinter all ch 4325 cab. rib.	Front	06-	2425/271	906.420.2785-2E0.609.701Q	14.711
Sprinter all pt 3t-3,2t-3,5t-4,6t	LH-RH	06-	1666/1407	906.420.2085-2E0.609.701J	14.712
Sprinter all pt 5t	LH-RH	06-	1394/1065	906.420.3085-2E0.609.701T	14.713
Sprinter all pt 5t double wheels	LH-RH	06-	1432/1112	906.420.3185-2E0.609.701AA	14.714

BRAKE CABLES

Funi freno a mano Cables de frein Handbremsseile

APPLICATION	Remarks	Year	LENGTH	OEM/Compares with No.	Our Ref.
-------------	---------	------	--------	-----------------------	----------

MERCEDES Commercial vehicle

V Class Van - Vito	Centr.	97-	2925/2720	638.420.0785	13.820
V Class Van - Vito	LH-RH	97-	1170/910	638.427.0338	13.821
Vito all	RH	06-	1152/903	639.427.0538	14.718
Vito all	LH	06-	1285/1037	639.427.0438	14.719
Vito all 4x4	Centr.	06-	2815/1750	639.420.1785	14.717
Vito all Compact/Long	Centr	06-	2432/1370	639.420.1485	14.715
Vito all Extralong	Centr	06-	2799/1733	639.420.1385	14.716
Vario mod.512D	LH	97-	1680/1505	667.420.4685	13.354
Vario mod.512D	RH	97-	1680/1500	667.420.4785	13.355

M.C.C.

Smart all	RH-LH		1000/805	204.220.047-4161V001/02	14.205
Smart Roadster	RH-LH		1035/865	0018975V001	12.478

MITSUBISHI

Pajero 2.6-Ds	RH	83-88	1185/990	MB140463-MB256340	12.324
Pajero 2.6-Ds	LH	83-88	1180/990	MB140462	13.591
Pajero Wagon	RH	85-	1435/1245	MB256372	12.325
Pajero Wagon	LH	85-	1435/1240	MB256371	13.592
Pajero/Shogun (66/77 kw)	Front	99-	220	MR128810	14.178
Pajero/Shogun (66 kw)	RH	99-	1387/1182	MR475598	14.179
Pajero/Shogun (66 kw)	LH	99-	1340/1135	MR475597	14.180
Pajero/Shogun (77 kw)	RH	99-	1559/1354	MR475604	14.181
Pajero/Shogun (77 kw)	LH	99-	1462/1256	MR475603	14.182
Colt 1.2-1.4 4 doors	LH-RH	79-83	1480/1265	MB004799-MB193974	12.319
Colt all	LH-RH	84-	1365/1190	MB256179	12.736
Colt all	LH	89-91	1485/1320	MB520341/341C	12.969
Colt all	RH	89-91	1490/1330	MB520342/342C	12.970
Colt all – Dodge Summit	LH-RH	92-	1510/1330	MB806051	14.170
Colt all disc brake	LH	89-02	1442/1312	MB520347	14.698
Colt all disc brake	RH	89-02	1446/1320	MB520348	14.699
Colt all 1.3/1.5/1.6	LH	95-99	1394/1222	MR129919	14.701
Colt all 1.3/1.5/1.6	RH	95-99	1349/1176	MR129920	14.700
Galant 1.6-1.8 Turbo-1.8D	LH	85-88	1630/1450	MB520200	13.594
Galant 1.6-1.8 Turbo-1.8D	RH	85-88	1660/1480	MB520201-MB256297	13.595
Galant EA2A-WA5A-EA2/3/5W	LH	97-	1851/1585	MR205491	14.175
Galant EA2A-WA5A-EA2/3/5W	RH	97-	1876/1610	MR205492	14.176

BRAKE CABLES

Funi freno a mano Cables de frein Handbremsseile

APPLICATION	Remarks	Year	LENGTH	OEM/Compares with No.	Our Ref.
mitsubishi					
Lancer / Celeste GT-GSR	LH	80-	1240/890	MT402434	12.321
Lancer / Celeste GT-GSR	RH	80-	1245/885	MT402435	12.322
Lancer / Celeste	LH-RH	80-	1245/920	MB004622	12.323
Lancer 1.2/1.3/1.5/1.6/1.8DS	LH-RH	84-88	1365/1190	MB216179	12.736
Lancer 1.3-1.5-Ds	LH	89-91	1485/1310	MB520341	14.171
Lancer 1.3-1.5-Ds	RH	89-91	1490/1317	MB520342	14.172
Lancer all disc brake	LH	89-02	1442/1312	MB520347	14.698
Lancer all disc brake	RH	89-02	1446/1320	MB520348	14.699
Lancer all 1.3/1.5/1.6	LH	95-99	1394/1222	MR129919	14.701
Lancer all 1.3/1.5/1.6	RH	95-99	1349/1176	MR129920	14.700
Carisma DA1A-DA2-DA4A	LH	5/96-	1511/1328	MB950335	14.173
Carisma DA1A-DA2-DA4A	RH	5/96-	1511/1328	MB950336	14.174
Space Wagon / Vista SW	LH-RH	85-90	1595/1400	MB256275-MB520446	13.906
Space Wagon	LH	00-	1917/1735	MR510573	14.177
L200 Pick-Up	Front	79-	1006/561	MB004848	14.183

NISSAN

Micra 1.0	RH	83-88	1360/1080	36400.05B10	12.366
Micra 1.0	LH	83-88	1000/750	36531.05B10	12.367
Micra N10-N12	LH	88-	1000/740	36531.21B00	12.979
Micra N10-N12	RH	88-	1355/1100	36400.21B00	12.980
Micra all	Front	93-	250	36402.70J10	12.981
Micra all	LH	93-	1410/1200	36531.4F100	12.982
Micra all	RH	93-	1435/1225	36530.4F100	12.983
Micra K11 1.5 Diesel disc brake	LH	2/98-8/99	1287/1070	36531.4F400	12.626
Micra K11 1.5 Diesel disc brake	RH	2/98-8/99	1310/1093	36530.4F400	12.624
Micra K12 all	Front	04-	200	36402.AX000	14.571
Micra K12 all	LH	04-	1287/1070	36530.AX601	11.940
Micra K12 all	RH	04-	1310/1093	36531.AX601	12.514
Almera all	Front		250	36402.50J10	12.994
Almera all	Front	7/95	230	36402.4M600	12.628
Almera all / Almera Tino	Front	01-	215	36402.BM600	14.245
Almera N15 GA 14DE/16DE CD20	LH	7/95-4/96	1660/1440	36531.0M010	13.822
Almera N15 GA 14DE/16DE CD20	RH	7/95-4/96	1663/1442	36530.0M010	13.823
Almera N15 GA 14DE/16DE	LH	7/95-	1680/1480	36531.0M810-36531.0N600	13.824
Almera N15 GA 14DE/16DE	RH	7/95-	1677/1475	36530.0M810-36530.0N600	13.825
Almera N16 1.5	LH	00-	1605/1430	36531.4M400	14.572
Almera N16 1.5	RH	00-	1610/1440	36530.4M400	14.422
Almera no Abs	LH	01-	1630/1450	36531.9M800	14.247
Almera no Abs	RH	01-	1640/1465	36530.9M800	14.246
Almera Abs	LH	01-	1650/1495	36531.BM700	14.248
Almera Abs	RH	01-	1665/1505	36402.27000-36530.BM700	14.241

BRAKE CABLES

Funi freno a mano Cables de frein Handbremsseile

APPLICATION	Remarks	Year	LENGTH	OEM/Compares with No.	Our Ref.
NISSAN					
Almera Tino	LH	01-	1660/1505	36531.BU000	14.250
Almera Tino	RH	01-	1665/1515	36530.BU000	14.249
Note all	LH	06-	1706/1494	365319U00A	14.726
Note all	RH	06-	1770/1555	365309U00A	14.725
Primera W10 Kombi	RH	7/90-	1610/1390	36530.70N00	14.214
Primera W10 Kombi	LH	7/90-	1582/1360	36531.70N00	14.215
Primera W10 Kombi Abs	RH	7/90-	1504/1307	36530.78N00	14.216
Primera W10 Kombi Abs	LH	7/90-	1476/1277	36531.78N00	14.217
Primera	Front	91-	250	36402.50J10-70J00-70J10	12.994
Primera 1.6-2.0 drum brake	LH	91-	1625/1420	36531.70J10	12.995
Primera 1.6-2.0 drum brake	RH	91-	1605/1395	36530.70J10	12.996
Primera 2.0 disc brake	LH	91-	1510/1340	36531.71J10	12.997
Primera 2.0 disc brake	RH	91-	1490/1315	36530.71J10	12.998
Primera P11 drum brake	LH	6/96-99	1620/1343	36531.2F000	14.219
Primera P11 drum brake	RH	6/96-99	1640/1360	36530.2F000	14.218
Primera P11 disc brake	LH	6/96-99	1632/1395	36531.2F200	14.221
Primera P11 disc brake	RH	6/96-99	1657/1426	36530.2F200	14.220
Primera P11 all	LH	6/99-	1642/1405	36531.9F000	14.208
Primera P11 all	RH	6/99-	1668/1432	36530.9F000	14.207
Primera P11	Front	01-	295	34602.2F000	14.244
Primera P11	LH	01-	1625/1415	36531.9F500	14.243
Primera P11	RH	01-	1665/1440	36530.9F500	14.242
Serena 1.6-Ds	LH	93-	1235/960	36531.9C005	13.001
Serena 1.6-Ds	RH	93-	1610/1335	36530.9C005	13.826
Serena 2.0	LH	93-	1600/1335	36531.9C104	13.002
Serena 2.0	RH	93-	1635/1365	36530.9C104	13.827
Serena LD23 1.6	RH	94-98		36530.9C006	14.254
Terrano II R20 Swb	LH	93-	1325/1115	36531.0F000/.0F001	13.614
Terrano II R20 Swb	RH	93-	1355/1150	36530.0F000/.0F001	13.615
Terrano II R20 Swb	LH	93-	1470/1265	36531.0F600/.0F601	13.616
Terrano II R20 Swb	RH	93-	1480/1270	36530.0F600/.0F601	13.617
D21 King Cab 2W reg.body KCTD25-Z20-SD23 KA24E-TD25-Z20S	LH	88-4/92	2323/1488	36531.08G10	14.238
D21 King Cab 2W reg.body KCTD25-Z20-SD23 KA24E-TD25-Z20S	LH	88-4/92	2026/1194	36530.08G10/.8B010	14.239
Patrol	RH		1150/1015	36402.G9501/.G9701	12.359
Patrol	LH		1050/915	36402.G9601	12.360
Patrol	RH		925/790	36402.G9600/.G9700	12.361
Patrol	LH		975/835	36402.G9604	12.362
Prarie N10 1.5	LH	83-85	1860/790	36531.01R00	13.003
Prarie N10 1.5	RH	83-85	1450/1100	36530.01R00	13.004
Prarie N10 1.5	LH	85-88	1855/780	36531.22R00	13.005
Prarie N10 1.5	RH	85-88	1445/1090	36530.22R00	13.006
Pulsar 1.4-1.6-Ds	LH	91-	1415/1220	36531.50Y10	12.990
Pulsar 1.4-1.6-Ds	RH	91-	1415/1220	36530.50Y10	12.991
Pulsar 1.6-2.0 Antiskid	LH	91-	1310/1140	36531.51Y10	12.992
Pulsar 1.6-2.0 Antiskid	RH	91-	1310/1140	36530.51Y10	12.993

BRAKE CABLES

Funi freno a mano Cables de frein Handbremsseile

APPLICATION	Remarks	Year	LENGTH	OEM/Compares with No.	Our Ref.
NISSAN					
Sunny N13	Front	-10/88	325	36402.D4000	12.984
Sunny N13	Front	11/88-	315	36402.51E00	12.985
Sunny Turbo 2.0i Abd mod.	Front	7/90-	250	36402.50J10	12.994
Sunny N13	LH	86-91	1450/1270	36531.50M01	12.986
Sunny N13	RH	86-91	1455/1280	36530.50M01	12.987
Sunny B11 SW	LH	89-91	1080/705	36531.25A01	12.988
Sunny B11 SW	RH	89-91	875/630	36530.25A01	12.989
Sunny 1.4-1.6-Ds	LH	91-	1415/1220	36531.50Y10	12.990
Sunny 1.4-1.6-Ds	RH	91-	1415/1220	36530.50Y10	12.991
Sunny 1.6-2.0 Antiskid	LH	91-	1310/1140	36531.51Y10	12.992
Sunny 1.6-2.0 Antiskid	RH	91-	1310/1140	36530.51Y10	12.993
B120 P/UP-Sunny	Front	71-	582/325	36402.G1000	14.233
B120 P/UP-Sunny	Rear	71-	1540/532	36400.G1400	14.234
Cherry 100A-Van	Front	70-77	525	36450.M0701	12.335
Cherry 100A-F11		70-77	1630	36451.M0200	12.336
Cherry 120A-140A	LH		930	36451.M6600	12.338
Cherry 120A-140A	RH		745	36450.M6600	12.339
Cherry	LH	77-	970	36451.M7102	12.340
Cherry	RH	77-	805	36450.M7101	12.341
Cherry N12	LH	83-	1100/730	36531.01A01	10.011
Cherry N12	RH	83-	900/680	36530.01A01	10.010
Bluebird	LH	80-84	1200/585	36531.W1200	12.353
Bluebird	RH	80-84	750/490	36530.W1200	12.354
Bluebird	LH	77-81	1210/565	36531.Q2104	12.977
Bluebird	RH	77-81	720/460	36530.Q2104	12.978
Bluebird W11 all	LH	84-86	1460/1608	36531.13E02	14.225
Bluebird W11 all	RH	84-86	1385/1304	36530.13E02	14.224
300 ZX	LH	84-89	977/727	36531.02P02	14.213
300 ZX	RH	84-89	1033/696	36530.02P02	14.212
X-Trail (T30 all)	LH	03-	1745/1608	36531.8H300	14.808
X-Trail (T30 all)	RH	03-	1770/1555	36530.8H300	14.809
620 P/up	Front	-79	1828/1381	34600.B5200	14.235
620 P/up	LH	-77	1500/935	36510.B5300	14.236
620 P/up	RH	-77	1643/937	36500.B5300	14.237
E20 1.8-2.0 Wagon L18/H20	Front		2518/2104	36401.B8400	14.240
G720 P/up 2WD reg. cab.	LH	9/79-86	1244/749	36531.04W00	14.227
G720 P/up 2WD reg. cab.	RH	9/79-86	1451/984	36530.04W00	14.228
G720 P/up 2WD king cab.	LH	9/79-	1475/986	36531.04W10	14.229
G720 P/up 2WD king cab.	RH	9/79-	1685/1214	36530.04W10	14.230
G720 P/up 4WD	RH	80-82	1772/1396	36530.44W10	14.231
G720 P/up 4WD	RH	82-84	1510/1152	36530.44W00	14.232

BRAKE CABLES

Funi freno a mano Cables de frein Handbremsseile

APPLICATION	Remarks	Year	LENGTH	OEM/Compares with No.	Our Ref.
-------------	---------	------	--------	-----------------------	----------

NISSAN commercial vehicle

Vanette	Front	87-92	2775/2610	36402.Y9503	12.357
Vanette	Front	87-92	2285/2120	36402.Y9504	12.358
Vanette	Rear	87-92	1870/1070	36400.Y9503	14.206
Kubistar all capacity 600 kg.	LH	97-	1415/1075	7700.311.698	13.633
Kubistar all capacity 600 kg.	RH	97-	1420/1085	7700.311.699	13.634
Kubistar all capacity 800 kg.	LH	97-	1430/1070	7700.311.700	13.635
Kubistar all capacity 800 kg.	RH	97-	1440/1080	7700.311.701	13.636
Interstar 2.5 Ds – 2.8 Dti	Front	10/97-	1175/495	3640200QAA-7700.311.216	13.853
Interstar 2.5 Ds – 2.8 Dti Swb	LH-RH	10/97-	1420/1048	3640000QAA-7700.311.217	13.854
Interstar 2.5 Ds – 2.8 Dti Lwb	LH-RH	10/97-	1737/1439	3640000QAB-8200.201.940	14.305
Primastar all	Front	01-	508/256	3640200QAB-7700.312.835	14.314
Primastar all	LH	01-	1603/1465	3653100QAC-8200.178.390	14.306
Primastar all	RH	01-	1503/1365	3653000QAC-8200.178.389	14.316
Primastar all Swb	Interm.	01-	1185	3651800QAA-7700.313.058	14.317
Primastar all Lwb	Interm.	01-	1585	3651800QAB/QAC-91165522-8200.008.473	14.318
Primastar all	LH	03-	1596/1465	3653100QAD-7700.312.836-8200.263.821	14.574
Primastar all	RH	03-	1496/1365	3653000QAS-7700.312.837-8200.263.819	14.573

OPEL

Corsa all	LH	11/82-	820/375	522.548-90125513	10.180
Corsa all	RH	11/82	1440/730+375	522.549-90125512	10.181
Corsa all	LH	85-	970	522.571-90193039	11.367
Corsa all	RH	85-	1415/765	522.572-90223404	11.368
Corsa all (ch.CN4052761-)	LH	91-92	1260/660	522.593	12.391
Corsa all (ch.CN4052761-)	RH	91-92	1040	522.594	12.392
Corsa B all	LH	93-	1375/750	522.615/643-90445985-	12.393
Corsa B all	RH	93-	1080	522.614/642-90445986-	12.394
Corsa C exc. Sport-Gsi	Front	01-	330	522.445-9127187	14.260
Corsa C drum brake	LH	01-	1095/763	522.448-90576453	14.262
Corsa C drum brake	LH	01-	1106/763	522.655-24443834	14.263
Corsa C drum brake	RH	01-	832	522.449-90576454	14.261
Corsa C drum br. with/no Abs	RH	01-	220	522.151/2-93170227/8	14.286
Corsa C disc brake	LH	01-	1425/760+365	522.447-9191578	14.265
Corsa C disc brake	RH	01-	1143/370	522.446-9191574	14.264
Corsa C all	LH	04-	1426/765+307	522.015-13138929	12.653
Corsa C all	RH	04-	1143/307	522.014-13138930	12.700
Corsa D 1.0-1.3 3 doors	Rear	06-	1476/1260+	522.040-13214179	10.961
Corsa D 1.0-1.3 Td 5 doors	Rear	06-	1492/1255+	522.039-13214178	10.962
Corsa D 1.6-1.7 Td	Rear	06-	1475/1307+	522.038-13214177	10.964
Agila all Abs	LH		1516/1302	4700358	14.278
Agila all Abs	RH	-00	1507/1291	4700357-9203995	14.281
Agila all Abs	LH	-00	1510/1300	4705708	10.714

BRAKE CABLES

Funi freno a mano Cables de frein Handbremsseile

APPLICATION	Remarks	Year	LENGTH	OEM/Compares with No.	Our Ref.
OPEL					
Agila all no Abs	RH	02-	1498/1285	4705707-9210312	14.279
Agila all no Abs	LH	02-	1510/1300	4705708	10.714
Agila all	LH	03-	1530/1290	4706689-9211156	14.283
Agila all	RH	03-	1530/1281	4706688-9211155	14.289
Tigra all	LH	93-	1375/750	522.615-522.643-90445985-90538700	12.393
Tigra all	RH	93-	1080	522.614-522.642-90445986-90538699	12.394
Tigra all	LH	04-	1426/765+307	522.015-13138929	12.653
Tigra all	RH	04-	1143/307	522.014-13138930	12.700
Meriva	Rear	03-	1610/1440+1610/1440	522.012-93318894	13.377
Meriva	Rear	04-	1615/1440+1615/1440	522.016-13159021	13.378
Signum	Rear	04-	1805/1633+1633	522.026/025-13162337/335	13.383
Astra all	Rear	92-	1275/700+1690/1100	522.603/641-90373923-90538698	12.389
Astra SW all	Rear	92-	1290/720+1400/830	522.600/640-90538629	11.463
Astra SW 2.0	Rear	94-	1170/720+1280/830	522.628-90496316	13.010
Astra 2.0 Gsi-Astra Cabrio	Rear	87-	1175/700+1575/1100	522.532/577-90373855-90279542	11.464
Astra G all	Front	00-	1593/1400+1400	522.003/440/651-9217791-24425108	14.257
Astra G all	Rear	99-	1680/1495+1495	522.002/004-24425112-9036102-9223133	14.258
Astra G all drum brake	Rear	00-	1254/1060+1060	522.656-24436451	14.284
Astra G all disc brake	Rear	02-	1592/1403+1403	522.007/528-24465148	14.271
Astra G all disc brake	Rear	04-	1587/1402+1402	522.453-13153654	13.379
Astra H all drum brake	Rear	04-	1326/1156+1293/1085	522.455-13157061	13.380
Astra H no SW disc brake	Rear	04-	1643/1460+1675/1491	522.456-13157062	13.381
Astra H SW	Rear	04-	1733/1548+1760/1578	522.027-13157063	13.382
Astra/Zafira/Vectra all	Front	98-	311	522.551-9127937	13.828
Astra/Zafira drum brake	Rear	98-	1252/1060+1060	522.650-9127787	13.829
Astra/Zafira drum brake	Rear	98-	182	522.653-9127518	13.830
Astra/Zafira drum brake	Rear	98-	182	522.654-9127527	13.831
Astra/Zafira disc brake	Rear	98-	1590/1400+1590/1400	522.001-9223129	13.832
Zafira 1.6-1.8 drum brake	Rear	01-	1355/1157+1157	522.558/153-90581267-24436467	14.259
Zafira 1.6-1.8-2.0 16v disc brake	Rear		1680/1495/1495	522.002-9223133	14.282
Zafira 1.8-2.0-Dti 2.0 disc brake	Rear	01-	1680/1495+1495	522.004-24425112-9036102-8223133	14.258
Zafira 1.8-2.0-Dti 2.0 disc brake	Rear	02-03	1680/1495+1495	522.008/529-13104993	14.272
Zafira 1.8-2.0-Dti 2.0 disc brake	Rear	04-	1667/1495+1495	522.454/13153656	14.287
Zafira 1.6-2.0-2.0/2.2 Dti disc brake	Rear	04-	1677/1495+1495	522.032-13153655	12.835
Zafira 1.6-2.0-2.0/2.2 Dti disc brake	Rear	06-	1749/1551+1774/1577	522.028/036-13157064-13237275	14.576

BRAKE CABLES

Funi freno a mano Cables de frein Handbremsseile

APPLICATION	Remarks	Year	LENGTH	OEM/Compares with No.	Our Ref.
OPEL					
Vectra 1.4-1.6-1.8-1.7D	LH	88-89	760	522.590/.569-90344899	11.465
Vectra 1.4-1.6-1.8-1.7D	RH	88-89	2100/1070	522.583/.588-90344447	11.467
Vectra 1.4-1.6-1.8-1.7D	LH	89-	755	522.597/.601-90421703	12.379
Vectra 1.4-1.6-1.8-1.7D	RH	89-90	2080/1030	522.596/.602-90421704	12.380
Vectra 1.4-1.6-1.8-1.7D	RH	90-	2120/1070	522.620-90334824-90495223	13.618
Vectra 2.0 (-ch.1055983)	LH	88-89	665	522.581-90297927	12.395
Vectra 2.0 (ch.1055984-)	LH	89-	665	522.589/.599-90375403	12.396
Vectra 2.0 all	RH	88-	2005/1060	522.582/.598-90375404	12.397
Vectra 2.0 all	RH	89-	2020/1070	522.621-90495224	13.009
Vectra 4X4 Calibra all (-ch.1092928)	Rear	89-	1350/950+1500/ 1110	522.585-90334462	11.469
Vectra 4X4 Calibra all (ch.1092929-)	Rear	90-	1365/965+1500/ 1110	522.595-90374902	12.381
Vectra all	Front	9/95-	315	522.409-90495463	13.620
Vectra all	Rear	9/95-	1455/1275+1455/ 1235	522.412-90468900	13.833
Vectra 1.8-2.0 disc brake	Rear	9/95-	130	522.410-90496487	13.621
Vectra 1.6 drum brake	Rear	9/95-	210	522.411/414-90496486-	13.622
Vectra 2.0 Td drum brake	Rear	95-02	218	522.417-90575127	12.836
Vectra all	Front	98-	311	522.551-9127937	13.828
Vectra all	Rear	98-	1460/1225+1225	522.524-24427061	13.833
Vectra benz. all-Ds-Tds	Rear	02-	1630/1454+1578/ 1397	522.451/452-24455114- 9191216	14.266
Vectra SW – Caravan	Rear	02-	1805/1633+1633	522.009/022/024-13106485	13.383
Sintra all	Front	97-	2583/2392	522.432-10405685	14.267
Sintra 2.2-2.2 Td-3.0	LH	97-	799/485	522.431-10403823	14.269
Sintra 2.2-2.2 Td-3.0	RH	97-	709/487	522.430/574-10408912	14.268
Frontera 4doors	LH	92-95	2160/1315	522.610-91143474	14.800
Frontera 4doors	RH	92-95	2100/1260	522.611-91143475	14.799
Frontera UD2 2doors	LH	99-	1500/1315	522.425-91152687	13.384
Frontera UD2 2doors	RH	99-	1500/1315	522.424-91152686	13.385
Frontera UD2 4doors	LH	99-	1936/1315	522.427-91152689	13.386
Frontera UD2 4doors	RH	99-	1936/1315	522.426-91152688	13.387
Omega	Rear	87-	1545/850+	522.575-90222437	12.387
Omega	Rear	88-	1550/855+ 1550/855	522.578/.592/.527-90335547- 90374841-24404062	11.682
Kadett B	Rear	-71	2570	522.507	10.184
Kadett B	Rear	71-	2575	522.522	10.185
Kadett C 1.0-1.2	Rear	73-	2460	522.525	10.186
Kadett C 1.6-1.9-2.0	Rear	74-	2460	522.526	10.187
Kadett D		9/79-	2880/990+800	522.539-522.553	10.188
Kadett D Diesel-Caravan	Rear	9/79-	2760/885+785	522.543/.547/.560/.561- 90184271-90193357	10.189
Kadett D Diesel-Caravan	Rear	83-	2755/750+750	522.556	12.388
Kadett E 1.2-1.3 (2 doors)	Rear	84-85	2835/950+800	522.559-90184270	10.190
Kadett E 1.2-1.3-1.6-1.8-D Caravan 1.3-1.6	Rear	84-	2760/885+785	522.560-522.561 90184271-90193357	10.189
Kadett E Combi	Rear	84-	3130/1400+1230	522.573-90216441	11.461
Kadett E all (2-4 doors)	Rear	86-	1270/700+1675/ 1100	522.568-90235948	11.462
Kadett E Caravan	Rear	87-	1285/720+1395/ 835	522.580-90335899	11.463

BRAKE CABLES

Funi freno a mano Cables de frein Handbremsseile

APPLICATION	Remarks	Year	LENGTH	OEM/Compares with No.	Our Ref.
OPEL					
Kadett E Caravan car.rinfor.	Rear	87-	1285/720+1395/ 835	522.579-90335900	13.889
Kadett E 2.0 Gsi	Rear	87-	1175/700+1575/ 1100	522.577-90279542	11.464
Ascona A / Manta	Rear	70-	2545/875+875	522.515-522.519	12.378
Ascona A / Manta Kadett 1.9	Rear	71-	2530/960+960	522.521	10.193
Ascona B / Manta	Rear	76-	2675	522.555	10.194
Ascona C all	LH	9/81-	865/330	522.545	10.195
Ascona C all	RH	9/81-	2035/1190+330	522.546	10.196
Ascona C all	LH	83-	870	522.551-522.562-90170751	10.197
Ascona C all	RH	83-	2040/1200	522.552-90170750	10.198
Ascona C all	LH	86-	760	522.569	11.465
Ascona C all	RH	86-	2035/1050	522.570-90189718	11.466
Rekord C	Rear	67-	2650/815+815	522.200	12.384
Rekord C	Rear	71-	2660/830+830	522.201	10.200
Rekord D	Rear	72-	2370/1045+1045	522.202	10.201
Rekord D Caravan	Rear	75-	2370/970+960	522.531	10.504
Rekord E all	Rear	77-	2990/1000+1000	522.537/.554-90095420	10.505
Rekord E	Rear	77-	2990/1045+990	522.544-90063457	10.203
Senator / Monza	Rear	78-	2920/970+905	522.535-90079050	12.385
Senator / Monza	Rear	80-	2935/905+905	522.538-90112028	12.386
Senator B	Rear	87-	1545/850+	522.575-90222437	12.387
Commodore B 2.8	Rear	75-	2370/970+960	522.531	10.504
Commodore C	Rear	77-	2990/1000+1000	522.537/.554-90095420	10.505
Commodore C	Rear	78-	3000/1050+1050	522.542-90112381	12.398
OPEL Commercial vehicle					
Bedford CF Swb	LH-RH	71-	1155/900	8829951-91106936	10.205
Bedford CF Lwb	LH-RH	71-	1835/900	8829950-91106935	10.206
Bedford CF2 Lwb	LH-RH	83-	1820/875	522.564-91106933	11.369
Bedford CF2	LH-RH	83-	1125/870	91106934	14.277
Bedford Midi	Front	85-	2640/2170	91133434	14.276
Bedford Midi	LH	85-	335	94233607	11.470
Bedford Midi	RH	85-	925	94233606	11.471
Bedford Midi		85-	2655/2200	94226685	11.472
Bedford Midi mod. 80	LH-RH	85-	900/549	91123067-91139077	14.275
Bedford Rascal		86-	1812/809+574	91122085	14.274
Bedford Rascal		86-	1990/865+820	91112648	11.473
Campo all 2 WD	LH	7/99-	1812/1640	522.523-97217149	12.749
Campo all 2 WD	RH	7/99-	1872/1700	522.520-97217149	12.772
Campo all 2 WD	Interm.	88-6/99	1815/1795	522.619-94367286	12.738
Campo all 4 WD	LH	7/99-	1798/1630	522.429-97111566	12.780
Campo all 4 WD	RH	7/99-	1858/1700	522.428-97111565	12.791
Campo all 4 WD	Interm.	88-6/99	1380/1325	4303489-94367287	12.796

BRAKE CABLES

Funi freno a mano Cables de frein Handbremsseile

APPLICATION	Remarks	Year	LENGTH	OEM/Compares with No.	Our Ref.
-------------	---------	------	--------	-----------------------	----------

OPEL Commercial vehicle

Corsa Combo	Rear	94-	1660/1320+ 1520/1180	522.618-90447335	13.011
Corsa C Combo	Front	01-	445	522.013-9225545	14.730
Corsa Combo	Rear	01-	1235/1040X2	522.450-24468130	14.285
Corsa C Combo all disc brake	Rear	01-	1582/1407x2	522017-13172730	12.702
Movano	Front	00-	1175/946	9160550-9111487	13.853
Movano	LH-RH	00-	1420/1048	9160551	13.854
Vivaro	Front	01-	502	91166639	14.314
Vivaro	Interm.	01-	1185	91165521	14.317
Vivaro	Interm.	01-	1585	91165522	14.318
Vivaro	RH	01-	1495/1365	91168672	14.316
Vivaro	LH	01-	1590/1465	91168673	14.306
Vivaro all rhd	Front	01-	600/355	91166640-820008472	13.302
Vivaro all	LH	03-	1596/1465	4414822-93852189- 8200263821	14.574
Vivaro all	RH	03-	1496/1365	4414821-93852188 8200263819-	14.573

PEUGEOT

106 all	LH-RH	91-	1290/1110	4745.89	12.424
106 all drum brake	LH-RH	96-	1445/1135	4745.H7-96209110	12.825
106 all disc brake	LH-RH	96-	1505/1240	4745.H8-96263856	12.826
206 all drum brake	LH-RH	98-	1638/1303	4745.N4	13.838
206 1.6-2.0 Gt	LH-RH	98-	1707/1425	4745.N5	13.844
207 all disc brake	LH-RH	06-	1907/1115	4745.Z4-9650902680	14.732
207 all drum brake	LH-RH	06-	1796/945	4745.Z3-9650902580	14.734
306 all drum brake	LH	92-	1655/1345	4745.97	12.429
306 all drum brake	RH	92-	1560/1260	4745.98	12.430
306 all disc brake	LH	92-	1695/1435	4745.99/A1-96190724	12.431
306 all disc brake	RH	92-	1615/1350	4745.A0/A2-96190725	12.432
306 all ABS drum brake	LH	92-	1615/1255	4745.A5/N9-9622434980	13.627
306 all ABS drum brake	RH	92-	1687/1331	4745.A4/N8-9617667980	13.626
306 Cabrio drum brake	LH	94-	1585/1270	4745.F8	12.116
306 Cabrio drum brake	RH	94-	1495/1350	4745.G1	12.115
306 Cabrio ABS drum brake	LH	94-	1620/1265	4745.F7-9614573980	12.827
306 Cabrio ABS drum brake	RH	94-	1530/1180	4745.G0-9614574080	12.828
306 Cabrio disc brake	LH	94-	1615/1350	4745.F6	12.117
306 Cabrio disc brake	RH	94-	1540/1270	4745.F9	12.118
307 all Berlina	LH-RH	02-	2035/1183	4745.T3-9636664680	14.291
307 all Break	LH-RH	02-	2115/1316	4745.T9-9641453080	14.292
308 all	LH-RH	07-	2033/1188	4746.31	14.734

BRAKE CABLES

Funi freno a mano Cables de frein Handbremsseile

APPLICATION	Remarks	Year	LENGTH	OEM/Compares with No.	Our Ref.
PEUGEOT					
406 all	Front	96-	1700/1410	4745.H0/H9-9616426480-9625818780	13.017
406 ch 8211-8575 high ch.	Front	99-	1610/1406	4745.P1/P2-9632426480	14.301
406 ch 8575- high ch.	Front	99-	1656/1310	4745.R7/R8	14.302
406 all disc brake	LH	96-	695/500	4745.H3-9616427180	13.018
406 all disc brake (-ch7475)	RH	96-	630/500	4745.H4-9616427580	13.019
406 all disc brake (ch7476-)	RH	97-	645/500	4745.L6	13.841
406 all drum brake	LH	96-	825/550	4745.H1-9623328980	13.020
406 all drum brake (-ch7475)	RH	96-	750/550	4745.H2-9623329080	13.021
406 all drum brake (ch7476-)	RH	96-	750/547	4745.L5-9630504580	14.294
406 all drum brake (-ch8512)	LH	04/00-	824/547	4745.R1	14.295
406 all drum brake (-ch8512)	RH	04/00-	750/547	4745.R2-9638603980	14.290
406 Coupè	LH	97-	705/510	4745.J6	13.843
406 Coupè	RH	97-	645/510	4745.J7	13.842
407 all	LH-RH	05-	2155/1330	4745.X4	13.298
607 all	Front	5/99-	2145/1675	4745.P7	14.298
607 all	LH	5/99-	724/386	4745.P8	14.299
607 all	RH	5/99-	713/386	4745.P9	14.300
607 all	LH	05-	815/474	4745.X6	13.301
607 all	RH	05-	794/474	4745.X7	13.229
806 all	Front	95-	500/255	4745.E9-1472957080	12.829
806 disc brake	LH	95-	1255/1065	4745.F4-1472959080	12.832
806 disc brake	RH	95-	2205/2080	4745.F5-1472958080	12.833
806 drum brake	LH	95-	1065/770	4745.F2-1473322080	12.830
806 drum brake	RH	95-	2285/2065	4745.F3-1473321080	12.831
806 drum brake only RHD	LH	00-	1300/1096	4745.R4-1483708080	14.069
806 drum brake only RHD	RH	00-	2105/1980	4745.R3	14.072
807 all	Front	6/02-	500/256	4745.T5	12.829
807 all	RH	6/02-	2360/2220	4745.T7/T8	14.095
807 all	LH	6/02-	1068/840	4745.T6	14.096
807 all	Front	05-	500/305	4746.22-1400813580	10.952
807 all drum brake	Rear	06-	1495/1275	4746.10-1400203780	10.831
807 all disc brake	Rear	06-	1613/1467	4746.11-1400203680	10.839
1007 all drum brake	RH-LH	5/05-	1610/800	4750.W3-4746.15-9680318880-9648084880	13.323
1007 all disc brake	RH-LH	5/05-	1700/935	4750.W4-4746.16-9680313780-9639346180	13.324
205 all exc. GTI	LH	83-	1410/1120	4745.55-4745.63	10.212
205 all exc. GTI	RH	83-	1430/1135	4745.56-4745.64	10.213
205 GTI	LH	87-	1425/1180	4745.67	11.700
205 GTI	RH	87-	1430/1185	4745.68	11.701
305 all exc. Break	LH-RH	-7/82	1590/965	4834.67-4834.71	10.214
305 all exc. Break	LH-RH	8/82-	1570/940	4834.80	10.215
305 Break	LH-RH	-7/82	1750/1080	4834.75	10.216
305 Break	LH-RH	8/82-	1670/1020	4834.85	11.699
309 all exc. GTI	LH	85-	1445/1170	4745.65	10.217
309 all exc. GTI	RH	85-	1470/1200	4745.66	10.218

BRAKE CABLES

Funi freno a mano Cables de frein Handbremsseile

APPLICATION	Remarks	Year	LENGTH	OEM/Compares with No.	Our Ref.
PEUGEOT					
309 GTI	LH	87-	1475/1230	4745.69	10.182
309 GTI	RH	87-	1495/1250	4745.70	10.183
405 all	Front	87-	1865/1560	4745.71	11.315
405 all drum brake	LH	87-	850/325	4745.73	11.316
405 all drum brake	RH	87-	570/330	4745.74	11.317
405 all disc brake	LH	87-	865/410	4745.75	11.318
405 all disc brake	RH	87-	560/410	4745.76	11.319
405 all 4x4	LH	87-		4745.77	13.388
405 all 4x4	RH	87-		4745.78	13.389
605 all	Front	91-	390	4745.81	12.433
605 all	Interm.	91-	1640/1500	4745.82	12.426
605 all	LH	91-	745/395	4745.83	12.427
605 all	RH	91-	630/400	4745.84	12.428
605 all	LH	93-	743/386	4745.F0	14.296
605 all	RH	93-	635/386	4745.F1	14.297
104 all	LH-RH		1445/815	4745.39/.41/.51	10.049
104 ZS Coupé	LH-RH		1260/700	4745.40	10.047
204	LH	-69	750/515	4834.36-4834.39	10.209
204	RH	-69	945/585	4834.15	10.210
204 / 304	LH-RH	70-	1555/920	4834.40-4834.66	10.211
404 all	Front	70-	980/670	4745.38	10.219
404 U6	Rear	9/68-70	4050/1320+1320	4834.43	11.783
404 U8-U10	LH-RH	-8/69	2040/1620	4834.37	11.784
404 U8-U10	Rear	69-70	4170/1620+1620	4834.44	11.785
404 U8-U10	Rear	70-	4090/1630+1630	4834.49	11.687
504 GL	Front	-72	1850/1525	4745.20-4745.33	11.688
504 Break	Front	-79	1050/625	4745.35	11.691
504 Break	Front	79-	1560/990	4745.45	11.694
504 Camionette	Front	79-	1245/725	4745.47	11.696
504 (UK model)	Front	84-	1310/830	4745.60	12.425
504 GL	LH-RH	-9/72	1045/820	4834.38	11.689
504 GL	LH-RH	72-76	1655/1130	4834.52	10.221
504 GL	LH-RH	76-77	1635/1110	4834.63	11.690
504 GL	LH-RH	77-	1595/990	4834.68	10.222
504 GL	LH-RH	7/73-	1700/1500	4834.58	10.223
504 Break	LH	-79	1410/1100	4834.46	11.692
504 Break	RH	-79	2315/1100	4834.47-4834.51	11.693
504 Break	LH-RH	10/72-	1775/1560	4834.57	10.224
504 GL (bench seats)	LH	7/73-	1320/990	4834.54	11.845
504 GL (bench seats)	RH	7/73-	2295/1320	4834.55	11.846
504 Break (bench seats)	LH	-79	1410/1100	4834.46	11.692
504 Break (bench seats)	RH	-79	2315/1100	4834.47-4834.51	11.693
504 Break (bench seats)	LH	80-	1410/1100	4834.46	11.692
504 Break (bench seats)	RH	80-	2320/1350	4834.74	11.695
504 L	LH	73-	1735/1540	4834.56	12.423
504 Camionette	LH	79-	1495/1090	4834.70	11.697
504 Camionette	RH	79-	1330/1030	4834.69	11.698

BRAKE CABLES

Funi freno a mano Cables de frein Handbremsseile

APPLICATION	Remarks	Year	LENGTH	OEM/Compares with No.	Our Ref.
-------------	---------	------	--------	-----------------------	----------

PEUGEOT

505 Break	Front	5/79-	1565/1335	4745.53	11.857
505 GR-SR-GLD-TD	LH-RH	5/79-	1630/1000	4834.72	10.225
505 TI-STI-GTI-TD	LH-RH	5/79-	1660/1140	4834.73	10.226
505 Break	LH-RH	5/79-	1800/1100	4834.77	10.227
505 Break (bench seats)	LH	5/79-	1190/430	4834.78	11.858
505 Break (bench seats)	RH	5/79-	1600/365	4834.79-4834.82	11.861
505 Break (bench seats)	LH	7/84-	1245/365	4834.81	11.862
604 all	LH-RH	9/77-	1720/1060	4834.65	11.865

PEUGEOT Commercial vehicle

J5 all	Front	81-	2355/2160	4745.54	10.118
J5 all	Front	81-	1620/1430	4745.52	10.119
J5 all	Rear	81-	2590/715+715	4834.76	10.105
Boxer all	Front	94-	1059/761	4745.G2-1308638080	12.858
Boxer all	Rear	94-	3025/810+810	4745.G3	12.859
Boxer Camping car	Rear	94-	3040/810+810	4745.G7	14.073
Boxer all	Front	01-	1078/761	4745.V6-1336889080	13.322
Boxer all ch16158428-	Rear	-01	2806/865+865	4745.V2-1330058080	11.777
Boxer 4x4 only UK	Front	-02	1170/843	4745.V7-1337455080	11.764
Boxer II all	Front	02-	1463/645	4745.W6-1338683080	11.706
Boxer II all disc brake	Rear	02-	955/782	4745.W7-1338691080	11.751
Boxer all disc brake	Rear	02-	2715/890+890	4745.V4-4745.W5-1339394080-1339676080	11.667
Boxer all drum brake	Rear	02-	2825/875+875	4745.V5-1337440080	11.702
Boxer III all 30-35 passo 3450	Front	06-	2295/2035	4746.27-1350313080	10.935
Boxer III all 30-33-35	LH-RH	06-	1385/1075	4746.17	10.903
Boxer III all 40	LH-RH	06-	1480/1170	4746.18	10.896
Boxer III p.3000/p. 3000 Fap mod.	Front	06-	1910/1650	4745.Z9-4746.47-1341023080-1359245080	14.634
Boxer III p.3800/p. 3800 Fap mod.	Front	06-	2645/2390	4746.29-4746.50-1350314080-1359247080	14.782
Boxer III p.4035/p. 4035 Fap mod.	Front	06-	2910/2650	4746.28-4746.49-1350305080-1359248080	14.635
Bipper all bz	LH	12/07-	1662/1407	4746.42	14.636
Bipper all bz	RH	12/07-	1695/1442	4746.43	14.637
Bipper all Ds 1.4 Hdi	LH	12/07-	1677/1402	4746.44	14.638
Bipper all Ds 1.4 Hdi	RH	12/07-	1710/1435	4746.45	14.639
J7 all	LH	68-73	925/685	4832.26	11.866
J7 all	RH	68-73	1170/1070	4832.27	11.867
J7 / J9 all	LH	9/73-	955/785	4832.28	11.871
J7 / J9 all	RH	9/73-	1365/1200	4832.29	11.873
Expert all	Front	95-	500/256	4745.E9	12.829
Expert 1.6-Ds drum brake	LH	95-	1063/770	4745.F2	12.830
Expert 1.6-Ds drum brake	RH	95-	2286/2063	4745.F3	12.831

BRAKE CABLES

Funi freno a mano Cables de frein Handbremsseile

APPLICATION	Remarks	Year	LENGTH	OEM/Compares with No.	Our Ref.
-------------	---------	------	--------	-----------------------	----------

PEUGEOT Commercial vehicle

Expert Td disc brake	LH	95-	1255/1066	4745.F4	12.832
Expert Td disc brake	RH	95-	2205/2080	4745.F5	12.833
Expert all drum brake	LH-RH	06-	1495/1275	4746.10-1400203780	10.831
Expert all Swb short - corto	LH-RH	06-	1613/1467	4746.11-1400203680	10.839
Expert all Lwb long – lungo	LH-RH	06-	1730/1590	4746.12-1400204880	10.850

POLSKI

126 P all	Rear	73-	2360/735+735	4273200	10.067
126 Bis	Rear	87-	2350/780+780	4345508	11.357
125 P / Polonez 1.3-1.5	Rear		2460/675+675	4294024	10.091

PORSCHE

Cayenne all	LH-RH	11/02-	1750/1640	95542414110	14.771

RENAULT

Clio all (drum brake)	LH-RH	90-	1460/1125	7700.802.685	11.703
Clio 16V (disc brake)	LH-RH	91-	1480/1190	7700.802.686	11.704
Clio 1.2-1.4 drum brake	RH	98-	1345/1090	7700.424.926	13.845
Clio 1.2-1.4 drum brake	LH	98-	1265/1000	7700.424.928	13.846
Clio 1.6-1.9 Ds disc brake	RH	98-	1355/1090	7700.426.005	13.847
Clio 1.6-1.9 Ds disc brake	LH	98-	1275/1005	7700.426.006	13.848
Clio 16v no Abs	RH	98-	1320/1000	8200.087.982	14.309
Clio 16v no Abs	LH	98-	1400/1080	8200.087.981	14.310
Clio 16v Abs	RH	98-	1340/1000	8200.087.979	14.311
Clio 16v Abs	LH	98-	1410/1085	8200.087.977	14.322
Clio 2.0 16V	RH	98-	1380/1173	6000.073.539	14.334
Clio 2.0 16V	LH	98-	1310/1103	6000.073.540	14.335
Clio 1.5 Dci – 2.0 16v	RH	7/01-	1450/1170	8200.228.260	14.738
Clio 1.5 Dci – 2.0 16v	LH	7/01-	1378/1101	8200.228.347	14.739
Clio III all disc brake	RH	05-	1587/1430	8200.298.383	13.491
Clio III all disc brake	LH	05-	1451/1292	8200.298.384	13.492
Clio III all drum brake	RH	05-	1451/1336	8200.270.181	14.577
Clio III all drum brake	LH	05-	1323/1209	8200.270.182	13.493
Megane 1.4-1.6	LH-RH	9/95-	1440/1080	7700.834.651-7700.424.470	13.032
Megane 1.4 exc 16V	LH-RH	9/95-	1365/1115	7700.424.469	13.037
Megane 2.0 16V	LH-RH	9/95-	1520/1215	7700.834.653	13.033
Megane TDS Classic	LH-RH	9/95-	1475/1115	7700.846.156-7700.420.314-7700.424.472	13.034

BRAKE CABLES

Funi freno a mano Cables de frein Handbremsseile

APPLICATION	Remarks	Year	LENGTH	OEM/Compares with No.	Our Ref.
RENAULT					
Megane Coach 1.6	LH-RH	9/95-	1335/1080	7700.834.652-7700.424.923	13.035
Megane Coach 2.0 8V	LH-RH	9/95-	1360/1120	7700.846.155-7700.424.469	13.037
Megane Coach 2.0 16V	LH-RH	9/95-	1410/1220	7700.834.654-7700.424.922	13.036
Megane Scenic all	LH-RH	96-	1475/1090	7700.834.655-7700.424.468	13.637
Megane SW/Break disc br.	RH	98-	1520/1205	8200.035.047	14.307
Megane SW/Break disc br.	LH	98-	1480/1165	8200.029.461	14.308
Megane SW/Break drum br.	LH-RH	98-	1455/1060	7700.421.024	14.313
Megane Scenic disc brake	RH	00-	1479/1175	7700.432.012	14.323
Megane Scenic disc brake	LH	00-	1508/1205	7700.432.266	14.324
Megane Scenic 4x4	LH-RH	00-	1467/1163	7700.423.013	14.325
Megane II all Berlina/Saloon	LH-RH	03-	2020/1080	8200.247.041	14.331
Megane II all Break/SW	LH-RH	03-	2070/1080	8200.247.043-8200229445-8200.243.673	14.332
Megane II all Coupè/Cabrio	LH-RH	03-	1940/1080	8200.247.042	14.333
Modus all exc. Abs drum brake	RH	04-	1387/1230	8200.269.350	13.425
Modus all exc. Abs drum brake	LH	04-	1497/1340	8200.269.348	13.304
Modus all Abs disc brake	RH	04-	1375/1262	8200.214.750	13.445
Modus all Abs disc brake	LH	04-	1275/1163	8200.214.752	13.439
Twingo all	LH-RH	93-	1435/1050	7700.824.636	12.480
Twingo all no Abs	LH-RH	98-	1460/1055	7700.424.929	13.851
Twingo all	LH-RH	98-	1445/1055	7700.427.498	13.852
Twingo II all	LH	4/07-	1273/958	8200.428.320	14.811
Twingo II all	RH	4/07-	1355/1043	8200.428.323	14.812
Espace (-ch.5829)	LH	84-86	1910/850	6025.000.831	10.267
Espace (-ch.5829)	RH	84-86	1185/850	6025.000.832	10.268
Espace (ch.5830-)	RH	86-	2010/850	6025.002.628	11.894
Espace (ch.5830-)	LH	86-	1045/820	6025.002.627	11.895
Espace ABS mod.	LH	-1/91	1320/1050	6025.007.115	12.468
Espace ABS mod.	RH	-1/91	1940/1050	6025.007.116	12.469
Espace (no ABS)	LH	1/91-	1285/1000	6025.105.919	12.482
Espace (no ABS)	RH	1/91-	1890/1015	6025.105.918	12.483
Espace 4X4	LH	1/91-	1075/790	6025.006.423	12.470
Espace 4X4	RH	1/91-	1700/790	6025.006.424	12.471
Espace short mod. drum brake.	LH-RH	96-	1583/1317	6025.370.468-6025.313.181+182	14.326
Espace short mod. disc brake	LH-RH	96-	1520/1376	6025.370.467-6025.304.630+631	14.327
Espace V6 SWB short mod. disc brake	LH-RH	96-	1695/1545+1640/1495	6025.371.373	14.813
Grand Espace exc 16V	LH-RH	96-	1583/1317	6025.370.468-6025.313.181+182	14.326
Grand Espace V6	LH-RH	96-	1520/1376	6025.370.467-6025.304.630+631	14.327
Grand Espace LWB disc br.	LH-RH	96-	1860/1710+1800/1650	6025.371.283	14.814
Grand Espace LWB drum br.	LH-RH	01-	1740/1535+1675/1468	6025.370.827	14.336
Grand Espace LWB disc br.	LH-RH	01-	1740/1535+1675/1468	6025.370.922	14.337
Supercinque all	LH-RH	84-	1330/1110	7700.754.882/.886	10.246
Supercinque GT Turbo	LH-RH	85-	1405/1220	6001.006.990	11.321

BRAKE CABLES

Funi freno a mano Cables de frein Handbremsseile

APPLICATION	Remarks	Year	LENGTH	OEM/Compares with No.	Our Ref.
RENAULT					
Laguna all (no ABS)	LH-RH	94-	1185/955	7700.823.689	13.027
Laguna all ABS mod.	LH-RH	94-	1245/1065	7700.823.690	13.632
Laguna SW-Break drum br.	LH-RH	94-	1190/930	7700.841.026	13.849
Laguna all ABS mod.	LH-RH	2/97-	1185/990	7700.422.532	13.850
Laguna II all	LH-RH	01-	2220/1235	8200.002.236	14.315
Safrane all (no ABS)	LH	92-	700/540	7700.812.520	13.028
Safrane all (no ABS)	RH	92-	955/790	7700.812.521	13.029
Safrane all ABS mod.	LH	92-	850/760	7700.812.524	13.030
Safrane all ABS mod.	RH	92-	1090/1010	7700.812.525	13.031
R4 all	LH	-10/66	1035/830	854.693.100	12.456
R4 all	RH	-10/66	1470/1275	854.693.200	12.457
R4 L-TL	LH	66-	1055/820	7701.348.035	10.230
R4 L-TL	RH	66-	1495/1265	7701.348.034	10.231
R4 L-TL	RH	75-	1590/1340	7700.571.740	10.232
R4 GTL-R4 F6	LH	76-	1075/825	7700.510.747	10.233
R4 GTL-R4 F6	RH	76-	1445/1235	7700.560.787-7700.571.739	10.234
R4 GTL-R4 F6	RH	-75	1530/1290	7700.510.748	10.235
R4 GTL	Front	83-	2470/740	7702.107.376	12.459
R4 GTL-R4 F6	RH	80-82	1585/1335	7700.571.741	11.474
R4 GTL-R4 F6	LH	83-	1040/920	7701.348.267	10.248
R4 GTL-R4 F6	RH	83-	1215/1090	7701.348.269	10.249
R4 GTL	LH-RH	84-	1525/1340	7704.001.812	10.242
R4 F6 Cargo	LH-RH	84-	1665/1480	7704.001.811	10.241
R5 L	Front	72-82	495/230	7700.539.993	10.236
R5 L	LH	72-79	2140/660	7700.539.991	10.237
R5 L	RH	72-79	900/670	7700.539.992	10.238
R5 L	LH	80-82	2180/650	7700.554.894	10.243
R5 L	RH	80-82	935/650	7700.554.896	10.244
R5 L	LH	83-	1665/1480	7704.001.811-7701.348.487	10.241
R5 L	RH	83-	1525/1340	7704.001.812-7701.348.486	10.242
R5 TL-LS-GTL	LH	72-79	1670/1485	7700.539.865/.994	10.239
R5 TL-LS-GTL	RH	72-79	1530/1345	7700.539.866/.995	10.240
R5 TL-TS-GTL	LH	80-	1665/1480	7704.001.811	10.241
R5 TL-TS-GTL	RH	80-	1525/1340	7704.001.812	10.242
R5 Alpine	LH-RH	-84	1590/1465	7701.022.736	11.475
R6 TL	Front	10/70-	2375/785	7701.348.270	10.247
R6 TL	LH	10/70-	1040/920	7701.348.267-7700.529.227	10.248
R6 TL	RH	10/70-	1215/1090	7701.348.269-7700.529.226	10.249
R6	LH	10/70-	1075/825	7700.510.747	10.233
R6	RH	-8/73	1530/1290	7700.510.748	10.235
R6	RH	9/73-	1590/1340	7700.571.739-7700.560.787	10.234
R9 / R11 all exc. Turbo	LH-RH	81-	1485/1260	7700.759.586-7700.760.876 7704.001.610	10.250
R9 / R11 Turbo	LH-RH	81-	1420/1240	7700.773.849	11.322
R12 L-TL-TS	Rear	10/72-	2150/565+565	7700.536.338	10.253
R12 TS	Rear	79-	2160/580+580	7701.348.283	10.254
R12 Break	Rear	78-	2210/560+560	7701.348.284	11.887
R14 all	LH	76-	1340/1070	7700.640.322/.323	10.255
R14 all	RH	76-	1295/1025	7700.614.407-7700.623.400	10.256

BRAKE CABLES

Funi freno a mano Cables de frein Handbremsseile

APPLICATION	Remarks	Year	LENGTH	OEM/Compares with No.	Our Ref.
RENAULT					
R15	Rear	72-	2150/565+565	7700.536.338	10.253
R15	Rear	79-	2160/580+580	7701.348.283	10.254
R16 all	Front	70-	2260/1800	7700.533.777	10.257
R16 all	LH	-74	1220/610	7700.590.218	10.258
R16 all	LH	74-	1170/575	7701.348.403	10.259
R16 all	RH	70-	960/600	7701.348.404	10.260
R17	Rear	73-78	2150/565+565	7700.536.338	10.253
R18 all	LH	78-	1180/580	7704.002.268	10.261
R18 all	RH	78-	950/580	7704.002.272	10.262
R18 TX-GTX-Turbo-Break	LH	78-	1210/570	7704.002.269/.271	10.263
R18 TX-GTX-Turbo-Break	RH	78-	990/570	7704.002.273/.275	10.264
R18 Break-Turbo	LH	81-	1260/725	7704.002.266	11.823
R18 Break-Turbo	RH	81-	1020/720	7704.002.267	11.822
Fuego TL-GTL	LH	80-	1180/580	7700.657.227	10.261
Fuego TL-GTL	RH	80-	950/580	7700.657.234	10.262
Fuego TS-GTS-TX-GTX	LH	80-	1210/570	7701.349.109	10.263
Fuego TS-GTS-TX-GTX	RH	80-	990/570	7701.349.110	10.264
Fuego Turbo	LH	80-	1260/725	7704.002.266	11.823
Fuego Turbo	RH	80-	1020/720	7704.002.267	11.822
R19 all (no ABS)	LH-RH	88-	1590/1290	7700.781.393	11.476
R19 ABS mod.-16V	LH-RH	89-	1570/1300	7700.781.394-7700.817.136	12.463
R19 Chamade	LH-RH	5/89-	1580/1290	7700.816.858	12.481
R20 all	LH-RH	76-	1030/810	7701.348.316	10.265
R21 TL/S-GTS-RS-TSE-TD	LH-RH	86-	1490/1260	7700.766.098	11.323
R21 RX-RXE	LH-RH	86-	1520/1260	7700.769.840	12.464
R21 Turbo ABS	LH-RH	86-	1605/1420	7700.777.520	12.465
R21 Nevada no ABS	LH-RH	86-	1670/1410	7700.769.842	11.324
R21 Nevada ABS mod.	LH-RH	86-	1750/1575	7700.785.543	12.466
R21 Nevada 4X4	LH-RH	90-	1515/1220	7700.785.175	12.467
R25 no ABS	LH-RH	84-	1030/810	7700.571.639-7701.348.316	10.265
R25 ABS mod.	LH-RH	84-	1090/970	7700.571.640-7701.348.781	10.266
R30 Turbo	LH-RH	80-	1030/810	7701.348.316	10.265
R30 TX-TS	LH-RH	84-	1090/970	7701.348.781	10.266

RENAULT Commercial vehicle

Kangoo all (pt.600kg)	LH	97-	1415/1075	7700.311.698	13.633
Kangoo all (pt.600kg)	RH	97-	1420/1085	7700.311.699	13.634
Kangoo all (pt.800kg)	LH	97-	1430/1070	7700.311.700	13.635
Kangoo all (pt.800kg)	RH	97-	1440/1080	7700.311.701	13.636
Kangoo 4x4	RH-LH	99-	1525/1235	8200.040.064/5	13.303

BRAKE CABLES

Funi freno a mano Cables de frein Handbremsseile

APPLICATION	Remarks	Year	LENGTH	OEM/Compares with No.	Our Ref.
RENAULT Commercial vehicle					
Express all	LH-RH	84-7/91	1350/1135	7700.754.882/886	10.246
Express Bz	LH-RH	8/91-	1590/1295	6006.000.595	12.472
Express Diesel	LH-RH	8/91-	1485/1105	6006.000.596	12.473
Trafic all	Front	81-87	685/485	7700.689.738	10.269
Trafic all	Front	88-	775/575	7700.748.744	11.898
Trafic all	Front	3/89-97	747/522	7700.307.717-7700.748.444	14.319
Trafic all	LH	81-87	1360/955	7700.689.739	10.270
Trafic all	RH	81-87	1430/1025	7700.689.740	10.271
Trafic all	LH	88-	1310/920	7700.732.030	11.900
Trafic all	RH	88-	1450/1065	7700.732.031	11.901
Trafic 2.4-2.5 Ds all	LH	3/89-	1295/935	7700.723.014	13.630
Trafic 2.4-2.5 Ds all	RH	3/89-	1390/1020	7700.723.015	13.631
Trafic all no Abs	LH	97-	1330/925	7700.307.720	14.320
Trafic all no Abs	RH	97-	1424/1020	7700.307.721	14.321
Trafic all	Front	01-	502	7700.312.835-91166639	14.314
Trafic all	LH	01-	1590/1465	8200.178.390-91168673	14.306
Trafic all	RH	01-	1495/1365	8200.178.389-91168672	14.316
Trafic all SWB	Interm.	01-	1185	7700.313.058-91165521	14.317
Trafic all LWB	Interm.	01-	1585	8200.008.473-91165522	14.318
Trafic all rhd	Front	01-	600/355	8200.008.472-91166640	10.977
Trafic all	LH	03-	1596/1465	8200.263.821-7700.312.836	14.574
Trafic all	RH	03-	1496/1365	8200.263.819-7700.312.837	14.573
Master Tr/Av ch.3,20	Front	81-	2695/1310	5000.387.617	11.477
Master Tr/Av ch.3,80	Front	81-	3260/1300	5000.388.497/.438	11.478
Master Tr/Av ch.3,20	Front	-88	2610/1260	5000.395.884	14.328
Master Tr/Av ch.3,80	Front	-88	3247/1260	5000.395.885	14.329
Master Tr/Av	LH-RH	-82	1765/965	5000.389.550-5000.387.975	11.479
Master Tr/Av	LH-RH	82-	1750/930	5000.395.882	11.902
Master Pr/Ar ch.3.80	Front	81-	3165/1885	5000.388.522	11.481
Master Pr/Ar	LH-RH	-82	1795/985	5000.388.538	11.482
Master Pr/Ar	LH-RH	82-	1800/970	5000.395.883	11.903
Master 2.5 Ds	Front	10/97-	1180/950	7700.311.216-8200.021.935	13.853
Master 2.5 Ds	LH-RH	10/97-	1420/1060	7700.311.217	13.854
Master 2.5 Ds-2.8 Dti LWB	LH-RH	10/97-	1735/1440	8200.021.940	14.305
SG 2	Front		435	23272270	12.477
SG 4	LH-RH		3120	23272264	12.479

ROVER

25 all drum brake 200 series II all drum brake ZR105-120-160-2.0 Tds	RH	99- 95-00 99-	1700/1495	GVC902387-SPB000340	13.391
25 all drum brake 200 series II all drum brake ZR105-120-160-2.0 Tds	LH	99- 95-00 99-	1735/1520	GVC902386-SPB000350	13.392
25 all disc brake 200 series II all disc brake ZR105-120-160-2.0 Tds	RH	99- 95-00 99-	1812/1591	GVC902383-SPB000370	13.393
25 all disc brake 200 series II all disc brake ZR105-120-160-2.0 Tds	LH	99- 95-00 99-	1782/1565	GVC902382-SPB000360	13.395

BRAKE CABLES

Funi freno a mano Cables de frein Handbremsseile

APPLICATION	Remarks	Year	LENGTH	OEM/Compares with No.	Our Ref.
ROVER					
400 series drum brake	LH	95-	1510/1345	GVC902376	12.940
400 series drum brake	RH	95-	1485/1320	GVC902375	12.941
400 series disc brake 45 all	LH	95-	1630/1450	GVC902389-SPB100730- SPB101120	14.163
400 series disc brake 45 all	RH	95-	1655/1469	GVC902388-SPB100720	14.162
45 MG ZS all disc brake ch4D632464-	LH	6/99-	1640/1450	SPB000590	12.373
45 MG ZS all disc brake ch4D632464-	RH	6/99-	1665/1478	SPB000580	12.374
45 MG ZS all drum brake ch4D633174-	LH	6/99-	1487/1295	SPB000570	12.399
45 MG ZS all drum brake ch4D633174-	RH	6/99-	1512/1323	SPB000560	12.377
75 all ch 3D280038-	Front	99-	275	SPB101413	12.445
75 all	LH-RH	99-	1570/1426+1426	GVC902399	13.394
600 series	LH	93-	1870/1640	GVC902372	12.897
600 series	RH	93-	1870/1640	GVC902371	12.898
100 all	Rear	4/90-	2185/415x2+114	GVC1059	12.932
100 all Cat. mod.	Rear	92-	2185/415x2+114	GVC1060	12.933
213-216	RH	-88	1495/1310	GVC1048-DBP7202/3674	12.934
213-216	LH	-88	1495/1310	GVC1047-DBP7203/3675	12.935
214-216-218 no ABS drum brake 414-416-418	RH	89-	1530/1355	GVC1057-902357	12.235
214-216-218 no ABS drum brake 414-416-418	LH	89-	1505/1330	GVC1054/1058-902358- SPB10015EVA	12.874
214-216-218 ABS mod. drum brake 414-416-418	RH	89-	1680/1480	GVC1055-902355	12.875
214-216-218 ABS mod. drum brake 414-416-418	LH	89-	1655/1450	GVC1056-902356	12.939
820 all	RH	11/88-	1815	GVC1049-902149	13.586
820 all	LH	11/88-	1875	GVC1052	13.587
Metro all	Rear	80-84	2075/445x2+940	GVC1033-FAM7314	10.173
Metro all	Rear	84-89	2210/445x2+114	GVC1027-NAM5725	11.677
Metro all	Rear	4/90-	2185/415x2+114	GVC1059	12.932
Maestro all	Front	3/83-	630	NAM3608-GVC1013	11.880
Maestro / Montego	Centr.	3/83-	1400/710	NAM6474-GVC1037	11.881
Maestro / Montego	Rear	3/83-	550/345	FAM8560-GVC1032	11.888
Montego all	Front	4/84-	695	NAM4600-GVC1046	11.889
Montego Estate	Centr.	4/84-	1460/745	NAM5604-GVC1028	11.890
Montego Estate	Rear	4/84-	610/425	NAM5603-GVC1029	11.891
Acclaim	RH	81-84	700	BNP2431	11.892
Acclaim	LH	81-84	580	BNP2432	11.893
Mini Mkl	Rear	-76	1575	21A2224	10.172
Mini Mkl Estate	Rear	-76	1670	21A1706	10.171
Mini MkIII all	Front	76-	640	FAM7314-GVC1035	11.877
Mini MkIII Clubman	Front	76-	740	FAM625	11.878
Mini MkIII all	Rear	76-	1805	FAM2903-GVC1034	11.676
SD1 2.0-2.6-3.5D	Rear	77-87	1925/1170+1540	CRC2701	12.694

BRAKE CABLES

Funi freno a mano Cables de frein Handbremsseile

APPLICATION	Remarks	Year	LENGTH	OEM/Compares with No.	Our Ref.
-------------	---------	------	--------	-----------------------	----------

ROVER

Maxi 1.5-1.7	Rear	69-82	1835/1525	21H37-GVC1023	12.931
Allegro all	Front	73-82	870	31G5047-GVC1064	10.174
Allegro all	Rear	73-82	1040/830	31G5051-GVC1001	10.175
Marina 1.3-1.5-1.7-1.8	Rear	75-80	2090/1070	FAM2655	12.929
Morris-Riley-Wolseley all	Rear	63-74	1900	31G1141	11.879
Sherpa Lwb	Front	82-	1103	AAR1246	12.944
Sherpa Elwb	Front	82-	1523/600	AAR1810-AAR5486	12.945
Land Rover 90/110		83-90			
Range Rover 2.4-2.5 TD-3.5i		86-89	1148/936	NRC5089	13.589
Defender 90/110 2.5-3.5 Ds/Td		83/90			
Defender 110 inc. Van		90-95	1124/927	NTC3480	14.166
Discovery 2.0-3.5-3.9-2.5Tds		90-	1194/1012	NTC9400	14.167
Range Rover 3.9i		89-	1070	NRC4329	13.590
Freelander 1.8 all	RH	97-	1568/1286	SPB101300	14.164
Freelander 1.8 all	LH	97-	1568/1286	SPB101301	14.165
Commercial vehicle					
LVD 300/400 LWB	Front	89-96	1103	AAR1246	12.944
LVD 300/400 ELWB double wh.	Front	89-96	1523/600	AAR5486	12.945

SAAB

900 all	LH-RH	79-	1920/1690	8937898	12.507
900 all	LH-RH	88-	1650/1500	9101445	12.508
900 Spyder	LH-RH	88-91	1645/1485	9104134	12.697
900 all	LH	91-	1630/600+870	4105789	13.038
900 all	RH	91-	1650/600+890	9196163	13.039
900 SE all	LH	93-	780	4241311	13.040
900 SE all	RH	93-	2105/1240	4241329	13.041
900 SE all	Rear	94-	2178/1612+ 1435/859	4543104	13.396
900 all 9-3	Rear	94- 98-	2180/1680+ 1420/860	4839874	13.397
9-5 all	LH-RH	98-05	1410/940+ 1410/940	4908356-5059829	11.019
9000 all	LH	-86	2040/1640	8964348	12.509
9000 all	RH	-86	1885/1490	8964363	12.510
9000 all	LH	87-	2040/1645	8967481	12.511
9000 all	RH	87-	1905/1520	8967499	12.512
9000 all	RH	88-	1910/1570	8970733	12.513

BRAKE CABLES

Funi freno a mano Cables de frein Handbremsseile

APPLICATION	Remarks	Year	LENGTH	OEM/Compares with No.	Our Ref.
-------------	---------	------	--------	-----------------------	----------

SAAB

99 all	LH-RH	69-74	1755/1550	8927700	12.505
99 all	LH-RH	75-80	1890/1670	8927816	12.506
95-95 V4-96-96 V4		56-	1890/850	7199227	12.737
9-5	Front	98-05	340	4905980	14.810

SEAT

Altea all	LH-RH	10/03-	1443/805	1K0.609.721/AA/S/T	13.903
Altea all	LH-RH	04-	1450/810	1K0.609.721Q	14.389
Ibiza/Cordoba drum brake	LH-RH	93-94	1505/945	6K0.609.721	13.042
Ibiza/Cordoba disc brake	LH-RH	93-94	1600/1050	6K0.609.721A/B	13.043
Ibiza/ Cordoba drum brake	LH-RH	94-	1530/945	6K0.609.721C	13.044
Ibiza/Cordoba disc brake	LH-RH	94-	1600/1050	6K0.609.721D	13.045
Ibiza/Cordoba disc brake	LH-RH	96-	1625/1130	6K0.609.721E/F	13.046
Ibiza/ Cordoba drum brake	LH-RH	99-	1531/954	6N0.609.721K	13.873
Ibiza/Cordoba disc brake	LH-RH	99-	1641/1132	6N0.609.721M/H	14.385
Ibiza/Malaga/Ronda	Front	4/83-	925	SE022167315A-X039607270	11.904
Ibiza/Malaga/Ronda	Rear	4/83-	2290/800+800	SE022167320A	10.273
Toledo disc brake	LH-RH	91-	1620/1230	191.609.721F	11.629
Toledo drum brake	LH-RH	91-	1530/1085	191.609.721E	11.630
Toledo all/Leon all	LH-RH	98-	1691/1073	1J0.609.721E	12.815
Toledo all/Leon all	LH-RH	00-	1693/1083	1J0.309.721AC/AD/K/T	14.383
Leon all	LH-RH	10/03-	1443/805	1K0.609.721/AA/S/T	13.903
Alhambra all	LH-RH	96-	1295/1135	7M0.609.701B-	13.584
Alhambra all	Interm.	96-	655	7M0.711.472A-1013482	13.801
Arosa all	LH-RH	97-	1395/800	6X0.609.721C/721F	13.868
Arosa all Abs mod.	LH-RH	98-	1505/975	6X0.609.721D	13.869
Marbella all	Rear	86-	2690/1035+1035	SE141167358A	10.071
Ritmo all	Front	-3/83	890	RF16731500	10.108
Ritmo all	Rear	-3/83	2165/805+805	RF16732000	10.082
124 all	Rear	-77	2200/760+760	FA16735800	10.089
127 / Fura all	Rear		2315/845+845	HB16735800	10.073
133 all	Rear		1575/270+270	EA16735800	10.070

SEAT Commercial vehicle

Terra all	Rear	86-	3170/1270+1270	SE024167358A	11.905
Inca all	LH-RH	96-	1670/1130	6K9.609.721	13.641

BRAKE CABLES

Funi freno a mano Cables de frein Handbremsseile

APPLICATION	Remarks	Year	LENGTH	OEM/Compares with No.	Our Ref.
-------------	---------	------	--------	-----------------------	----------

SKODA

Octavia all	LH-RH	96-	1690/1080	1J0.609.721E	12.815
Octavia all disc brake	LH-RH	00-	1700/1070	1J0.609.721K/721AC	14.383
Octavia all drum brake	LH-RH	96-	1620/944	1J0.609.721S/J	14.343
Octavia all drum brake	LH-RH	98-	1620/940	1J0.609.721D	13.399
Octavia all drum brake	LH-RH	-03	1620/940	1J0.609.721D-1J0.609.721G	14.747
Octavia all	LH-RH	03-	1445/805	1K0.609.721Q	14.389
Octavia all	RH	10/03-	1440/805	1K0.609.721T	14.390
Favorit / Felicia all	LH-RH	89-	1775/1480	115332750/51-11523390750	12.543
Felicia all	LH-RH	12/92-	1755/1450	115.520.117	14.339
Felicia pick-up	LH-RH	12/92-	1752/1441	6U7.609.721	14.342
S110	LH-RH	77-	1485/1220	113332750/51	12.542
S110		-76	1330/1075	111332750	12.541
S105 / S120	LH-RH		1480/1200	113332752	13.638
Fabia all drum brake Fabia all drum brake Fabia cross drum brake	LH-RH	99- 07- 06/06-	1580/918	6Q0.609.721B/D/H/J/M/N 6K0.609.721M 6K0.609.721M-6Q0.609.721M	14.340
Fabia all disc brake Fabia all disc brake	LH-RH	99- 07-	1640/1043	6Q0.609.721C/F/G/L/K 6K0.609.721M	14.341
Superb all	LH	02-	1985/1815	3BD.609.721C	11.032
Superb all	RH	02-	1985/1820	3BD.609.722C	11.035
Superb all	LH-RH	03/08-	1585/780	3T0.609.721	14.839
Roomster all disc brake	LH-RH	07-	1882/1070	6Q7.609.721C-721E	14.750
Roomster all drum brake	LH-RH	07-	1800/945	6Q0.609.721C-721E	14.751

SUBARU

Forester	LH	97-06	1605/1340	26051FC030	14.745
Forester	RH	97-06	1590/1321	26051FC020	14.746

SUZUKI

Vitara all 3 doors	RH	90-	1400/1190	54410A60A01	13.055
Vitara all 3 doors	LH	90-	1345/1135	54420A60A01	13.056
Vitara all 3 doors	RH	90-	1398/1170	54410A60A60	13.860
Vitara all 3 doors	LH	90-	1345/1115	54420A60A60	13.861
Vitara all 5 doors	RH	90-	1685/1475	5441056B60	13.858
Vitara all 5 doors	LH	90-	1630/1420	5442056B60	13.859
Granvitara all 3 doors	RH	98-05	1390/1145	5441065D00	14.758
Granvitara all 3 doors	LH	98-05	1336/1098	5442065D00	14.759

BRAKE CABLES

Funi freno a mano Cables de frein Handbremsseile

APPLICATION	Remarks	Year	LENGTH	OEM/Compares with No.	Our Ref.
-------------	---------	------	--------	-----------------------	----------

SUZUKI

Granvitara all 5 doors	RH	98-05	1575/1337	5441065D10	14.762
Granvitara all 5 doors	LH	98-05	1628/1385	5442065D10	14.763
Santana SJ410/413Japan mod.	LH-RH		1270/1060	54640A80010/11	12.551
Samurai/Santana SJ410/13	RH	-89	1015/785	54640A70A00	13.047
Samurai/Santana SJ410/13	LH	-89	1030/785	54660A83310	13.048
Samurai/Santana SJ410/13	RH	-89	1240/985	54640A70A10	13.049
Samurai/Santana SJ410/13	LH	-89	1315/1065	54681A83600	13.050
Samurai SJ413	LH-RH	90-	1340/1175	4504000000-4504100000	13.051
Samurai SJ413 ie	RH	90-	1445/1275	4506800000-4506884C00	13.052
Samurai SJ413 long body	RH	90-	1565/1395	4504800000	13.053
Samurai SJ413all	LH	98-	1345/1165	4509694C00	14.757
Swift 3 doors	LH-RH	89-	1375/1190	5440060B00	13.057
Swift 5 doors	LH-RH	89-	1435/1285	5440062B00	13.058
Swift GTI	LH-RH	89-	1330/1135	5440064B00	13.059
Alto SS40	Rear	82-86	2620/1110+1110	5441078020/81110	12.550
Alto all	LH-RH	97-81	3135/1364+1379	54400M70F10	14.764
Alto all	RH	02-	1472/1263	54401M79G10	14.760
Alto all	LH	02-	1477/1268	54402M79G00	14.761
Baleno 3dr. drum brake	RH	99-	1499/1285	5440162G00	14.344
Baleno 3dr. drum brake	LH	99-	1550/1340	5440264GA0	14.345
Baleno 4/5dr. drum brake	RH	99-	1573/1356	5440160G00	14.346
Baleno 4/5dr. drum brake	LH	99-	1656/1442	5440264G00	14.347
Baleno 4/5dr. disc brake	RH	99-	1475/1721	5440160G10	14.348
Baleno 4/5dr. disc brake	LH	99-	1557/1352	5440260G10	14.349
Jimny	RH	00-	1588/1375	5441081A01	14.350
Jimny	LH	00-	1570/1370	5442081A01	14.351
Ignis all	RH	02-	1523/1276	5441086G00	12.869
Ignis all	LH	02-	1532/1285	5442086G00	12.848
Wagon R all	RH	99-	1507/1921	5441083E20-5440178F02	14.281
Wagon R all	LH	99-	1505/1302	5442083E00	12.849
Wagon R all	LH	01-	1510/1294	5440278F10/11	12.885

TALBOT-SIMCA

Samba all	LH-RH	81-	1385/705	97501753-97501780	10.274
Horizon all	Rear	78-	3060/665+665	52152860-57388G	10.279
Rancho	Rear	77-	3000/605+605	13216400	11.906
Sunbeam 1.0-1.1 (UK only)		76-	1485/1040	20325100	10.280
1307-1308-1510 / Solara	Rear	75-	3230/660+660	17090300-48096W	10.278
1000	Rear	61-	2260/760+760	54783300-22264Y	10.275

BRAKE CABLES

Funi freno a mano Cables de frein Handbremsseile

APPLICATION	Remarks	Year	LENGTH	OEM/Compares with No.	Our Ref.
-------------	---------	------	--------	-----------------------	----------

TALBOT-SIMCA Commercial vehicle

Express Van	Rear	81-	2590/715+715	4834.76	10.105
Express Van Lwb	Front	81-	2630/2445	5970619-4745.58	12.693
Express Van Swb	Front	81-	1890/1650	4745.57	12.692

TOYOTA

Corolla	Front	72-77	280	4641014020-4641016020	12.581
Corolla KE30	Front	80-83	280	4641012070	12.582
Corolla AE80-CE80	Front	8/83-	300	4641020210-4641002040- 4641020230/300-94857010 4641012160/210-4641010030	12.575
Corolla KE20	LH-RH	70-79	1300/820	4642012051	12.585
Corolla KE30	RH	75-	1230/850	4642012090-4642012091	12.587
Corolla KE70	LH	80-	1330/835	4643012110-4643012111	12.588
Corolla KE70	RH	80-	1320/735	4642012210-4642012211	12.589
Corolla KE70 SW	LH	80-	1315/900	4643013010-4643013011	12.590
Corolla KE70 SW	RH	80-	1300/885	4642013010-4642013011	12.591
Corolla TE72 1.8	LH	80-	1355/840	4643012130	12.592
Corolla TE72 1.8	RH	80-	1340/735	4642012230	12.593
Corolla AE80-82	Front	83-87	305	4641012150-4641020420	13.078
Corolla AE80-82	LH-RH	83-87	1480/1150	4643012210-4642012310	12.594
Corolla AE82GT-FX	Rear	85-88	1336/1985	4642012330	14.374
Corolla AE90-CE90	LH	87-	1570/1250	4643012240	12.620
Corolla AE90-CE90	RH	87-	1560/1245	4642012340	12.621
Corolla CE70 Van Diesel	LH	83-85	1330/900	4643013031	13.074
Corolla CE70 Van Diesel	RH	83-85	1320/890	4642013031	13.075
Corolla AE92 GT	LH	87-91	1440/1190	4643012260	13.079
Corolla AE92 GT	RH	87-91	1430/1180	4642012360	13.080
Corolla AE95 4WD	LH	87-95	1447/882	4343012281	14.375
Corolla AE95 4WD	RH	87-95	1468/798	4642012371/12200	14.376
Corolla AE100-CE100-E100/1-Sedan SW-Geo Prizm	Front	91-	300	4641020210-4641002040- 4641020230/300-4641010030 4641012160/210-94857010	12.575
Corolla AE100/1-CE100-EE100/101	Front	91-93	360	4641012190	13.120
Corolla AE100/101-CE100-EE100/101	LH	91-	1585/1290	4643012300 - 4643002040	13.076
Corolla AE100/101-CE100-EE100/101	RH	91-	1600/1310	4642012400 - 4642002040	13.077
Corolla E11 Liftback all	RH	99-01	1460/1218	4642012390	14.840
Corolla all	Front	11/01-	398	4641012270	13.145
Corolla Verso	Front	11/01-	276	464100F010	13.161
Corolla all (ZZE120-12)	LH	11/01-	1615/1425	4643012400	14.819
Corolla all (ZZE120-12)	RH	11/01-	1688/1500	4642012490	14.820
Corolla all E12 Hatchback	LH	6/04-9/06	1640/1394	4643012441-4643002090- 4643002111	14.841
Corolla all E12 Hatchback	RH	6/04-9/06	1698/1453	4642012541-4642002090- 4642002111	14.821
Avensis Sedan-SW	Front	98-	330	4641005020	13.862
Avensis Sedan-SW	RH	98-	1789/1478	4642005020	13.863
Avensis Sedan-SW	LH	98-	1829/1522	4643005020	13.864
Avensis all disc brake	RH	00-	1760/1493	4643020600	14.352
Avensis all disc brake	LH	00-	1805/1534	4642020480	14.353
Avensis Verso	Front	3/01-	317	4641044050	13.025

BRAKE CABLES

Funi freno a mano Cables de frein Handbremsseile

APPLICATION	Remarks	Year	LENGTH	OEM/Compares with No.	Our Ref.
TOYOTA					
Avensis all disc brake	RH	00-01	1825/1574	4642020640	13.023
Avensis all disc brake	LH	00-01	1867/1617	4643020640	13.024
Avensis all disc brake	RH	3/03-3/04	1823/1530	4642005030	14.818
Avensis all disc brake	LH	3/03-3/04	1770/1473	4643005030	14.817
Avensis all disc brake	RH	4/04-07	1823/1530	4642020570	14.842
Avensis all disc brake	LH	4/04-07	1770/1473	4643020680	14.843
Aygo all	LH	05-	1486/1243	464300H010-4745Y3	11.005
Aygo all	RH	05-	1478/1235	464200H010-4745Y2	11.006
Auris all	Front	10/06-	335	4641012280	14.844
Yaris all	RH	99-	1545/1355	4642052010	13.865
Yaris all	LH	99-	1502/1310	4643052010	13.866
Yaris all disc brake	RH	02-	1685/1511	464200D060	13.901
Yaris all disc brake	LH	02-	1642/1468	464300D060	13.902
Yaris all drum brake	RH	00-	1600/1363	464200D050	11.025
Yaris all drum brake	LH	00-	1556/1320	464300D050	14.580
Yaris F all disc brake	RH	02-	1552/1347	464200D010	13.352
Yaris F all disc brake	LH	02-	1582/1377	464300D010	13.649
Yaris Verso all	RH	00-02	1625/1435	4642052050	14.373
Yaris Verso all	LH	00-02	1686/1495	4643052050	14.372
Yaris Verso all	RH	02-	1475/1345	4642052080	13.403
Yaris Verso all	LH	02-	1520/1390	4643052080	13.404
Yaris Verso disc brake	RH	02-	1602/1470	4642052070	13.726
Yaris Verso disc brake	LH	02-	1685/1511	4643052070	13.770
Rav 4 all	Front	7/94-00	260	4641042010	13.194
Rav 4	RH	7/94-	1335/1060	4642042010	13.892
Rav 4	LH	7/94-	1345/1060	4643042010	13.893
Rav 4	Front	5/00-	408	4641042040	14.364
Rav 4 all 3 doors	RH	5/00-	1310/1040	4642042100	14.828
Rav 4 all 3 doors	LH	5/00-	1310/1040	4643042100	14.829
Rav 4 all 5 doors	RH	94-00	1540/1255	4642042020	14.830
Rav 4 all 5 doors	LH	94-00	1644/1255	4643042020	14.831
Rav 4 all 5 doors	RH	5/00-	1460/1190	4642042090	14.826
Rav 4 all 5 doors	LH	5/00-	1425/1190	4643042090	14.827
Rav 4 all 5 doors	RH	5/00-	1425/1190	4642042070	14.825
Rav 4 all 5 doors	LH	5/00-	1425/1190	4643042070	14.824
Carina / Celica	LH	70-76	1465/830	4643014020	12.600
Carina / Celica	LH	76-78	1400/800	4643014021	12.602
Carina / Celica	RH	76-78	1380/780	4642014021	12.603
Carina / Celica	LH	78-	1835/890	4643014070	12.604
Carina / Celica	RH	78-	1025/815	4642014070	12.605
Carina / Celica SW	RH	78-80	795/615	4642015050	12.607
Carina / Celica SW	LH	80-82	1340/920	4643014200	12.608
Carina / Celica SW	LH	82-	1415/890	4643014210	12.610
Carina / Celica SW	RH	82-	1400/800	4642014170	12.602
Carina / Celica	Front	8/83-	300	4641020210-4641002040-	12.575
Carina / Celica	LH-RH	83-85	1570/1180	4643029015-4642039015	12.625
Carina II AT151	LH-RH	85-87	1570/1180	4643029016-4642039016	12.627
Carina II AT171 1.6-Ds	LH	88-92	1625/1320	4643029045	12.629
Carina II AT171 1.6-Ds	RH	88-92	1660/1350	4642029035	12.630
Carina II ST171 2.0	LH	88-92	1610/1310	4643029055	12.631
Carina II ST171 2.0	RH	88-92	1645/1340	4642029045	12.632

BRAKE CABLES

Funi freno a mano Cables de frein Handbremsseile

APPLICATION	Remarks	Year	LENGTH	OEM/Compares with No.	Our Ref.
TOYOTA					
Carina E all	Front	93-97	340	4641020380	13.097
Carina E all	LH	93-	1780/1500	4643020361	13.081
Carina E all	RH	93-	1725/1445	4642020351	13.082
Celica AT160	LH	8/85-	1580/1200	4643029025	13.083
Celica AT160	RH	8/85-	1585/1210	4642029015	13.084
Celica AT162	RH	8/85-	1565/1210	4642029025	13.085
Celica AT162	LH	8/85-	1565/1200	4643029035	13.639
Celica GTS MA61-RA63	Front	83-85	325	4641024010	13.086
Celica GTS MA61-RA63	RH	83-85	1290/920	4642014200	13.088
Celica all ZZT23	Front	8/99-	385	4641020450	13.109
Celica all ZZT23	RH	8/99-	1707/1480	4642020460	14.581
Celica all ZZT23	LH	8/99-	1665/1455	4643020580	13.857
Celica all	Front	9/93-	310	4641012150-4641020420	13.078
Celica all exc. 4WD	LH	9/93-	1665/1410	4643020520	13.090
Celica all exc. 4WD	RH	9/93-	1625/1360	4642020440	13.091
Celica all exc. 4WD	RH	98-	1650/1350	4642020410	14.354
Camry SV10	LH	82-	1535/1150	4643039025	12.618
Camry SV10	RH	82-	1570/1180	4642039015	12.625
Camry SV11-25ELC-2.0	LH	84-86	1538/1144	4642033041	13.069
Camry 1.8-2.0	LH	87-	1670/1330	4643039045	13.064
Camry 1.8-2.0	RH	87-	1705/1365	4642039045	13.065
Camry SV21-2VZ ABS	LH	88-91	1645/1320	4643039055	13.066
Camry SV21-2VZ ABS	RH	88-91	1680/1360	4642039055	13.067
Camry 3VZ-FE-5SFE ABS	LH	91-94	1720/1425	4643033041	13.068
Camry 3SFE 2.0 Wagon	LH	86-91	1675/1310	4643039065	13.070
Camry 3SFE 2.0 Wagon	RH	86-91	1715/1350	4642039065	13.071
Camry SXV10-VCV10 MT-SSFE-3VZFE	LH	86-91	1750/1420	4643033010	13.072
Camry SXV10-VCV10 MT-SSFE-3VZFE	RH	86-91	1770/1440	4642033010	13.073
Camry 3VZ-FE-5SFE Abs	RH	91-94	1735/1433	4642033041	13.087
Camry all	Front	95-98	355	4641033070	14.582
Camry all	LH	95-98	1790/1450	4643033060	14.583
Camry all ACV-MCV30	Front	8/01-	1735/1490	4641033120	14.766
Camry all ACV-MCV30	RH	8/01-	1632/1423	4642033100	13.096
Camry all ACV-MCV30	LH	8/01-	1623/1423	4643033100	13.026
Starlet	Front	78/84	300	4641020210-4641002040- 4641020230/300-4641010030 4641012160/210-94857010	12.575
Starlet all	Front	84-	245	4641010050	12.576
Starlet all	LH	78-84	1325/770	4643010060-4643010061	12.577
Starlet all	RH	78-84	1295/750	4642010070-4642010071	12.578
Starlet all	LH	84-	1515/1230	4643010070	12.579
Starlet all	RH	84-	1525/1240	4642010080	12.580
Starlet all	Front	96-	260	4641042010	13.194
Starlet all	RH	96-	1518/1203	4642018030	13.251
Starlet all	LH	96-	1484/1177	4643018030	13.225
Tercel	LH	79-82	1455/1180	4643016011	12.596
Tercel	RH	79-82	1450/1175	4642016020	12.597
Tercel	LH	82-	1545/1255	4643016040	12.598
Tercel	RH	82-	1530/1240	4642016040	12.599
Tercel AL25-4WD	LH	7/82-	1445/860	4643016060	12.622
Tercel AL25-4WD	RH	7/82-	1425/745	4642016060B	12.623
Corona MkII-RX	LH	73-	1295/1025	4643022030	12.615
Corona MkII-RX	RH	73-	1330/850	4642022110	12.616
Corona RX 17-27-28-MX 27 SW	LH-RH	76-	1335/870	4642023060	12.617

BRAKE CABLES

Funi freno a mano Cables de frein Handbremsseile

APPLICATION	Remarks	Year	LENGTH	OEM/Compares with No.	Our Ref.
-------------	---------	------	--------	-----------------------	----------

TOYOTA Commercial vehicle

Hi-Lux 20	Front	75-	2440/1775	4641026091	12.633
Hi-Lux 30	Front	75-	2730/1975	4641026110	12.634
Hi-Lux 30/40 Lwb-Swb D	Front	79-83	1210/820	4641026111	12.635
Hi-Lux LN166	Front		2180/1710	4641035830	13.022
Hi-Lux 2.2 4x4	Front	86-	1720/1015	4641035270	14.845
Hi-Lux Pick-up	Front	79-	1030/625	4641035051-4641035100	14.846
Hi-Lux YN-LN 50/51	RH	83-88	1730/1055	4642035240	13.105
Hi-Lux YN-LN 50/51	LH	83-88	1700/1210	4643035210	13.106
Hi-Lux YN-LN 55/56/57	RH	83-88	1955/1200	4642035230	13.107
Hi-Lux YN-LN 55/56/57	LH	83-88	1940/1110	4643035200	13.108
Hi-Lux YN-LN 51 Swb	RH	90-	1735/955	4642005735	13.110
Hi-Lux YN-LN 51 Swb	LH	90-	1730/1050	4643005735	13.111
Hi-Ace 2.0-1.6-Pick Up Van-RH22	Front	77-82	2710/1950	4641026080	13.101
Hi-Ace 1.8-2.0 YH50/1-60/1	Front	82-85		4641026190	13.640
Hi-Ace LH-YH 50/60	Front	8/85-	2840/2100	4641026230	12.739
Hi-Ace	LH	75-	1600/655	4643026040	12.636
Hi-Ace	RH	75-	970/660	4642026040	12.637
Hi-Ace LH-YH 50	LH-RH	82-	1890/810+505	4642026080-4642026082	12.740
Hi-Ace LH-YH 60 Lwb	LH-RH	83-	2070/970+490	4642026090	13.098
Hi-Ace LH-A Swb	LH-RH	10/89-	2280/1280+470	4642026310	13.099
Hi-Ace LH-B Swb	LH-RH	10/89-	2535/1540+470	4642026320	13.100
Hi-Ace 2.2 Panel Van	LH-RH	88-90	2665/560+560	4642005620	13.103
Hi-Ace 2.2 Panel Van	LH-RH	91-	2655/560+500	4642005621	13.104
Hi-Ace all	Front	4/98-	1215/835	4641026450	13.166
Hi-Ace Van all	LH	95-99	1586/1285	4643026430	14.847
Hi-Ace Van all	RH	95-99	2454/2148	4642026600	14.848
Hi-Ace Van all	LH	95-99	1550/1220	4643026260	14.822
Hi-Ace Van all	RH	95-99	1375/1010	4642026410	14.823

VAUXHALL

Cavalier Estate	LH	84-	845/215	92019440	13.113
Cavalier Estate	RH	84-	2020/1150+210	92019439	13.114
Chevette	Rear	74-	2445	8982053-522.526	10.187
Chevette	Rear	79-	2465	91054311-522.541	13.112
Astra Caravan	Rear	86-91	1400/820+	90369711	12.649
Viva / Firenze	Front	70-	2025/1135	2682327	13.115
Viva / Firenze	Rear	70-	1415	7202006	13.116

VAUXHALL Commercial vehicle

Rascal 1/80	Front	86-	1980/1837	91112646-91139130	13.834
Rascal 1/70	Front	86-	2283/2145	91112647-91139131	14.273
Rascal 1/80		86-	1964/828+725	91112648	11.473
Rascal 1/70		86-	1812/809+574	91122085	14.274

BRAKE CABLES

Funi freno a mano Cables de frein Handbremsseile

APPLICATION	Remarks	Year	LENGTH	OEM/Compares with No.	Our Ref.
-------------	---------	------	--------	-----------------------	----------

VAUXHALL Commercial vehicle

Midi all	Front	85-	2624/2165	91133434	14.276
Midi	RH	85-	313	94233607	11.470
Midi	LH	85-	908	94233606	11.471
Midi		85-	2645/2170	94226685	11.472
Midi (mod.80)	LH-RH	85-	900/549	91123067-91139077	14.275
CF Swb	LH-RH	71-	1155/900	8829951-91106936	10.205
CF Lwb	LH-RH	71-	1835/900	8829950-91106935	10.206
CF 2	LH-RH	83-	1125/867	91106934	14.277
CF 2	LH-RH	83-	1821/864	91106933-522.564	11.369
Brava	RH	97-6/99	1684/1438	94366769	12.910
Brava	LH	97-6/99	1606/1358	94366770	12.911
Brava p/up Tfr all 2WD	Interm	88-6/99	1778	522.619-94367286	12.738
Brava p/up Tfr all 2WD	RH	7/99-	1872/1700	522.520-97174665	12.772
Brava p/up Tfr all 2WD	LH	7/99-	1812/1640	522.523-97217149	12.749
Brava p/up Tfr all 4WD	Interm	88-6/99	1380/1325	4303489-94367287	12.796
Brava p/up Tfr all 4WD	RH	7/99-	1858/1700	522.428-97111565	12.791
Brava p/up Tfr all 4WD	LH	7/99-	1798/1630	522.429-97111566	12.780
Arena all	Front	01-	747/522	9108241	14.319
Arena all	LH	01-	1330/925	9108242	14.320
Arena all	RH	01-	1424/1020	9108245	14.321
Arena all	LH	01-	1295/935	9108243	13.630
Arena all	RH	01-	1390/1020	9108247	13.631

VOLKSWAGEN

Polo / Derby	Front	74-84	800	861.609.729	10.156
Polo / Derby	Rear	-8/78	1960/630+370	861.609.721	10.290
Polo / Derby	Rear	9/78-	1990/635+385	861.609.721A/B	10.291
Polo / Derby	Front	85-	1610/1100	867.609.721	11.948
Polo / Derby	Rear	85-	660/395	867.609.701	11.370
Polo all	LH-RH	9/94-	1510/965	6N0.609.721B/E/G	13.118
Polo all no Abs ch6NWW130000-6WY220000	LH-RH	9/96-	1515/955	6N0.609.721F/J	13.872
Polo all drum brake Polo Abs ch6NWW130001-6WY220001	LH-RH	9/97-	1515/955	6N0.609.721K	13.873
Polo all disc brake	LH-RH	99-	1641/1132	6N0.609.721C/F/G/L/K	14.385
Polo all drum brake	LH-RH	01-	1580/918	6Q0.609.721B/D/H/J/M/N	14.340
Polo all disc brake	LH-RH	01-	1645/1045	6Q0.609.721C/F/G/L/K	14.341
Lupo all drum brake	LH-RH	98-	1395/800	6X0.609.721F	13.868
Lupo all disc brake	LH-RH	98-	1505/975	6X0.609.721D/E	13.869
Golf / Scirocco	LH-RH	-7/75	1740/515	171.609.721	10.292
Golf / Scirocco / Jetta	LH-RH	8/75-	1705/1050	171.609.721B/C-175.609.721	10.293
Golf / Jetta all drum brake	LH-RH	9/83-	1760/1120	191.609.721	10.295
Golf all drum brake	LH-RH	88-91	1525/1100	191.609.721E	11.630
Golf II Syncro drum brake	LH-RH	85-91	1570/1080	191.609.721C	13.874
Golf II Syncro disc brake	LH-RH	85-91	1655/1195	191.609.721H-K	14.384

BRAKE CABLES

Funi freno a mano Cables de frein Handbremsseile

APPLICATION	Remarks	Year	LENGTH	OEM/Compares with No.	Our Ref.
VOLKSWAGEN					
Golf III/Vento drum brake	LH-RH	9/91-95	1500/935	1H0.609.721-1HM.609.721	12.656
Golf III/Vento/Corrado 1.8 disc brake	LH-RH	9/91-95	1605/1100	1H0.609.721A-1HM.609.721A 535.609.721A	12.657
Golf GTI / Jetta GLI	LH-RH	9/83-	1800/1180	191.609.721A	10.294
Golf GTI / Jetta GLI	LH-RH	87-	1850/1255	191.609.721D-321.711.345	11.483
Golf GTI / Jetta GLI	LH-RH	90-91	1625/1230	191.609.721F	11.629
Golf III GTI 16V	LH-RH	9/91-	1580/1180	1GM.609.721	12.658
Golf Syncro	LH-RH	93-	1582/935	1H0.609.721B	13.405
Golf III Syncro disc brake	LH-RH	93-	1600/995	1H0.609.721C	14.390
Golf III/Vento disc brake	LH-RH	95-97	1616/1096	1H0.609.721E	13.870
Golf III Variant drum brake	LH-RH	95-97	1500/940	1H0.609.721D	13.871
Golf IV all	LH-RH	98-	1690/1055	1J0.609.721E	12.815
Golf IV all	LH-RH	98-	1690/1052	1J0.609.721H	14.388
Golf IV/Bora	LH-RH	9/99-	1700/1070	1J0.609.721K/T/AC/AD	14.383
Golf IV/Bora Syncro	LH-RH	98-	1273/1090	1J0.609.721R/L	14.019
Golf V all	LH-RH	10/03-	1450/810	1K0.609.721Q	14.389
Golf V 4 motion-Golf V plus GOLF VI all	RH-LH	10/03- 08-	1443/805	1K0.609.721AA/S/T	13.903
Passat / Dasher	Rear	-7/76	2230/500+490	321.609.721	10.296
Passat / Dasher	Rear	8/76-81	2255/460+460	321.609.721A	10.023
Passat / Santana 4 cyl.	Rear	81-	2590/1070+1070	321.609.721C	11.371
Passat / Santana 5 cyl.	LH-RH	81-	1340/1185	321.609.721E	11.372
Passat 1.6-1.8-TD drum br.	LH-RH	88-	1640/1050	357.609.721	11.484
Passat 1.8-2.0 disc brake	LH-RH	88-93	1750/1180	357.609.721A/D/E	11.485
Passat Syncro	LH-RH	89-	1718/1165	357.609.721C	13.875
Passat 1.8-2.0 disc brake	LH-RH	93-	1725/1040	3A0.609.721A/C	13.121
Passat 1.8-1.9 Tdi drum b.	LH-RH	93-	1625/900	3A0.609.721/721B	13.122
Passat all	LH	96-	1890/1577	3B0.609.721F/L	14.386
Passat all	RH	96-	1890/1577	3B0.609.722F/K	14.387
Passat T 4 motion	Rear	96-	1835/1660	3B0.609.721K/AA	14.584
Scirocco	Rear	84-92	1730/1100	533.609.721	13.408
Sharan all	Interm.	97-	655	7M0.711.472A	13.801
Sharan all	LH-RH	97-	1295/1135	7M0.609.701B-5VW2A603AC	13.584
Touran 1.6/2.0/1.9 Tdi T9G-TG58-T72	LH-RH	03-	1558/900	1T0.609.721F/G	13.406
Touran PR-TGO	LH-RH	03-	1558/900	1T0.609.721H/J	13.407
Touran all 2.0 Ecofuel	LH-RH	07-	1610/940	1T0.609.721M	14.849
Touareg all	LH-RH	11/02-	1750/1640	7L0.609721A	14.771
New Beetle	LH-RH	99-	1700/1070	1J0.609.721K/T	14.383
New Beetle	LH-RH	98-	1691/1055	1J0.609.721E-H	12.815
1200 Beetle	LH-RH	-64	1755/535	113.609.721F	10.281
1200 Beetle	LH-RH	65-7/66	1800/550	113.609.721K	10.283
1200 Beetle	LH-RH	-7/67	1790/550	113.609.721L	10.284
1200-1300 Beetle	LH-RH	8/67-	1780/520	113.609.721M	10.285
1302 Beetle	LH-RH	70-72	1830/550	113.609.721J	10.286
1303 Beetle	LH-RH	-8/72	1755/550	133.609.721	10.287
1303 Beetle	LH-RH	9/72-	1765/555	133.609.721A	10.288
1500-1600 (type 3)	LH-RH	8/68-	1790/660	311.609.721C	10.289

BRAKE CABLES

Funi freno a mano Cables de frein Handbremsseile

APPLICATION	Remarks	Year	LENGTH	OEM/Compares with No.	Our Ref.
VOLKSWAGEN Commercial vehicle					
Caddy	LH-RH	75-83	1705/1050	171.609.721B/C	10.293
Caddy	Rear	9/83-	2035/1370	179.609.721	11.907
Caddy	LH-RH	96-	1670/1130	6K9.609.721	13.641
Caddy II all	Rear	06-	1713/549	2K0.609.721E	14.777
Caddy all	Rear	08-	2025/755	2K3.609.721B/C	14.833
Crafter 50 pt. 5t	LH-RH	06-	1394/1065	2E0.609.701T-906.420.3085	14.713
Crafter 50 pt. 5t double wheels	LH-RH	06-	1432/1112	2E0.609.701AA-906.420.3185	14.714
Crafter all ch.3250	Front	06-	1468/365	2E3.609.701A-906.420.2485	14.706
Crafter all ch.3250 cab. rib.	Front	06-	1374/271	2E3.609.701R-906.420.2885	14.709
Crafter all ch.3665	Front	06-	1867/365	2E0.609.701L	14.707
Crafter all ch.3665 cab. rib	Front	06-	1771/1271	2E3.609.701P-906.420.2685	14.710
Crafter all ch.4325	Front	06-	2522/365	2E0.609.701M	14.708
Crafter all ch.4325 cab. rib	Front	06-	2425/271	2E3.609.701Q-906.420.2785	14.711
Crafter all pt 3t-3,2t-3,5t-4,6t	Front	06-	1666/1407	2E3.609.701J-906.420.2085	14.712
Transporter 1.2-1.5	LH-RH	-7/71	3435/380	211.609.701L	10.300
Transporter 1.6	LH-RH	71-7/72	3435/380	211.609.701P	10.301
Transporter 1.7	LH-RH	8/72-	2955/380	211.609.701T	10.302
Transporter	LH-RH	71-	3160/530	211.609.701J	10.304
Transporter	LH-RH	72-	3445/540	211.609.701Q	10.305
Transporter 1.6-2.0	LH-RH	80-90	1480/1030	251.609.701/A/B/C	10.306
Transporter all	LH-RH	91-96	845/520	701.609.701	12.661
Transporter all	LH-RH	97-	935/720	7D0.609.701	13.876
Transporter all	LH-RH	97-	938/718	7D0.609.701A/B/D/F	13.877
Transporter Syncro	LH	79/90	1415/960	251.609.701D	13.879
Transporter Syncro	RH	79/90	1375/920	251.609.702	13.880
Transporter Syncro T2	LH	85/90	1400/980	251.609.701F	13.920
Transporter Syncro T2	RH	85/90	1415/100	251.609.721E	13.919
Transporter T5 all exc 4x4	RH-LH	03-	1297/1005	7H0.609.721D	14.289
Transporter T5-Caravelle 2.5 Td	RH-LH	03-	1270/1000	7H8.609.701G	14.775
Transporter T5 all cab. 4x4	RH-LH	07/04-	2010/1645	7J3.609.701	14.772
Transporter T5 all Lwb 4x4	RH-LH	07/04-	2015/1648	7H3.609.701H	14.773
Transporter T5 all Swb 4x4	RH-LH	07/04-	1650/1285	7H1.609.701F	14.774
LT 31 single wheels	LH	75-	1050/730	281.609.701B	11.373
LT 31 single wheels	RH	75-	1710/1310	281.609.702B/C/D	11.374
LT 35-40-45 twin wheels	LH	75-	980/695	291.609.701A	11.375
LT 35-40-45 twin wheels	RH	75-	1490/1130	291.609.702A	11.376
LT 35-50 short ch.-twin wheels	LH	75-	1010/685	291.609.701B/D	11.486
LT 35-50 short ch.-twin wheels	RH	75-	1550/1150	291.609.702B/D	11.487
LT 45-55	LH-RH	83-	1410/1155	291.609.701C	11.488
LT 28-55 2.4D-Tds	RH	85-86	950/680	291.609.701F	13.642
LT 28-55 2.4D-Tds	LH	85-86	1485/1140	291.609.702G	13.643
LT 40-45-50-55 (ch.3650)	LH-RH	12/82-	1400/1127	293.609.701E	13.644
LT 46	Front	97-	2440/285	2D0.609.701D-9044200485	13.375
LT 28-30 ch 3000	Front	97-	1435/285	2D0.609.701-9014202085	13.344
LT 35 ch. 3550 double wheels	Front	97-	1970/285	2D0.609.701C	13.346
LT 28 ch. 3550 single wheels	Front	97-	1970/285	2D0.609.701A-9014202185	12.484
LT 35	Front	97-	2460/285	2D0.609.701B-9014202285	13.347
LT 28	LH-RH	97-	1515/1330	2D0.609.721-9014201885	13.348
LT 46	RH	97-	1525/1350	2D0.609.721A-9044200185	13.350
LT 46	LH	97-	1525/1350	2D0.609.722-9044200285	13.351

BRAKE CABLES

Funi freno a mano Cables de frein Handbremsseile

APPLICATION	Remarks	Year	LENGTH	OEM/Compares with No.	Our Ref.
VOLVO					
C30 all	LH-RH	08/05-	1816/1702+ 1860/1745	30742642-31257680	14.480
C70 Coupè/Spyder	Rear	98-04	1695/1515	8600755-9475286	10.204
XC70	Rear	01-04	1993/1912	9485316	10.452
S40-V40 all	Front	96-04	245	3345598	10.228
S40-V40 all	LH	96-	1585/1470	30850022	13.840
S40-V40 all	RH	96-	1585/1740	30850023	13.839
S40	LH	00-	1615/1470	30884537	13.409
S40	RH	00-	1615/1470	30884538	13.410
S40 all	Rear	04-	1875/1745+ 1830/1700	30714215-4N512A603BA	10.229
S40 all	LH-RH	08/05-	1816/1702+ 1860/1745	30742642-31257680	14.480
S60 all exc. AWD	LH-RH	11/00-	1923/1847	30665093-9173146-30714831	13.412
S60 Awd	Rear	01-04	1955/1875	8646151-30793821	10.416
S60 Bi-fuel	Rear	01-04	2005/1935	8666266	10.422
S70-V70 all exc. AWD	LH-RH	98-	1680/1450	35464905-9209756	13.129
S70-V70 AWD	Rear	98-	2170/1890	9157684-9209757	13.878
S70-V70	Rear	01-	1960/1890	3524199	13.411
S80 exc. Bi-Fuel	Rear	99-04	1993/1912	9434192-9485316	10.452
S80 Bi-Fuel	Rear	99-04	2060/1990	8666264-9492645	10.447
S80 all Awd	Rear	98-06	2024/1934	3524200	14.834
V50 all	Front	04-	245	3345598	10.228
V50 all	Rear	04-	1875/1745+	30714215-4N512A603BA	10.229
V70 – V70 Awd	Rear	01-04	1993/1912	9485316-30793820	10.452
V70 Bi-Fuel	Rear	00-04	2035/1960	8666265	10.553
XC70 all	Rear	01-04	1993/1912	9485316-9434192	10.452
XC70 all – XC90 all	LH	03-	2160/2087	30681684	14.835
XC90 all	RH	03-	2180/2114	30636224-30681683-30793828	12.024
850 all (-ch.47065)	LH-RH	91-	1620/1380	35466648	13.130
850 all (ch.47066-)	LH-RH	94-	1680/1450	35465905	13.129
850 AWD	Rear	91-	2170/1890	9157684-9209757	13.878
740-760 all	LH	82-	2205/1610	12297834-13298336	11.379
740-760 all	RH	82-	845	12297859	11.380
740-760 / 940-960 all	LH	87-	2210/1615	13877873-3530621	11.910
740-760 / 940-960 all	RH	87-	910	13877881-3530622	11.911
940-960 all	LH	94-	2200/1390	91409805	13.645
940-960 all	LH	97-	2065/1825	91409790	14.392
940-960 all	RH	97-	750/360	9157231	14.394
740-940 Multilink mod.	Front	84-	2080/1790	13879370-68190313	13.126
740-940 Multilink mod.	LH	84-	530/365	13872569-68190321	13.127
740-940 Multilink mod.	RH	84-	755/370	13872577-68190339	13.128
440 GL-GLT-Turbo	Front	88-	225	3343698-3410648	11.489
440 GL	Rear	88-	1400/1150	34301853	11.491
440 GLT-Turbo / 480	Rear	87-	1455/1245	3414613-3456981-3456984	11.492

BRAKE CABLES

Funi freno a mano Cables de frein Handbremsseile

APPLICATION	Remarks	Year	LENGTH	OEM/Compares with No.	Our Ref.
-------------	---------	------	--------	-----------------------	----------

VOLVO

440/460 drum brake	Rear	91-	1340/1085	34572297-3457227	13.882
340 B14 all	Front	76-82	736	3266492	14.391
340 B14 all	Front	83-	740	3286094	10.312
340-360 B19 all	Front	83-	235	32860504	11.909
340 B14	LH-RH	76-	1035/800	32715773	11.908
340-360 all	LH	81-	1285/1080	32938060	10.313
340-360 all	RH	81-	1380/1170	32938078	10.314
340-360 D16	Front	84-	220	3213055	13.123
340-360 D16	LH	84-	1425/1240	3560082	13.124
340-360 D16	RH	84-	1555/1370	3560083	13.125
240-260 all	LH-RH	75-	1935/1565	12057436	10.310
245-265 all	LH-RH	75-	2635/2270	12296869	10.311
140-164 all	Rear	71-74	2470/780+780	684586	10.308
PV544-Amazzon		59-70	1310/800	682921	12.701

ZASTAVA

128	Rear		2030/765+765	4261121/2	10.077
1300	Rear		2770/760+760	4060599	10.092
Yugo 45	Rear	83-	2745/1190+1190	4402683-4402688	10.315
Florida / Miami	Rear	89-	3190/1390+1390	46617663-46617666	11.912

ACCELERATOR CABLES

Comandi acceleratore a pedale Cables d'accelerateur Vergaserzuge

APPLICATION	YEAR	LENGTH	OEM/Compares with No.	OUR REF.
ALFA ROMEO				
155 all	92-	940/760	60557449	12.075
156 1.6 TS	98-	659/519	60653544	13.772
156 1.8-2.0-TS	98-	907/720	60622696	13.773
166 2.0 TS	99-	937/721	60651739	13.774
164 Twin Spark	88-	630/455	60511688	11.528
164 Turbo 2.0	88-	695/545	60511545	11.955
164 Turbodiesel	88-	1280/1070	60510138-60542561	11.956
164 3.0 V6	90-	650/390	60563884	12.077
75 1.6-1.8-2.0	83-	780/620	11701.44051.02-60523120	11.525
75 TD	85-	735/595	16104.31054.01-60528459	11.527
75 Twin Spark	87-	895/755	16224.31054.01-60534138	11.954
75 2.5-3.0	87-	810/665	16218.31054.00-60533984	11.529
75 Turbo Evoluzione	87-	610/470	60518349	12.074
90 1.8-2.0	83-	780/620	11701.44051.02-60523120	11.525
90 2.0 IE	85-	1200/1055	11713.44051.02-60703269	11.523
90 TD	-84	750/615	16206.04056.00-60742180	11.526
90 TD	85-	745/615	11702.39051.00-60734859	11.524
90 TD	85-	735/595	16104.31054.01-60528459	11.527
Spyder	89-	990/840	60562135	12.078
GTV 6	84-	455/320	60701677	11.957
33 all (single carb.)	83-	890/785	542776	10.552
33 all (twin carb.)	83-	720/600	536577	10.549
33 1.7	86-	715/565	549491-60537915	11.951
33 1.7 IE	88-	1155/1005	60537971	11.952
33 1.8 TD	86-	925/750	60537910	11.953
Arna 1.2	83-	650/550	542545	10.550
Arna TI	83-	580/485	542659	10.551
Alfetta / Giulietta 1.6-1.8-2.0	83-	780/620	11701.44051.02-60523120	11.525
Alfetta / Giulietta 2.4 TD	83-	745/615	11702.39051.00	11.524
Alfetta	83-	790/615	11701.44051.01	11.522
Alfetta 2.0 IE		1200/1055	11713.44051.02	11.523
Alfasud N-5 speed	70-	815/715	530751	10.545
Alfasud Super 1.2-1.3-1.5	76-	810/720	533299	10.546
Alfasud TI-Sprint	72-	1000/890	530631	10.547
Alfasud TI-Sprint	76-	990/890	533354	10.548
Alfasud TI-Sprint	81-	720/600	536577	10.549
Alfetta/ GTV /Spyder 2.0 (USA mod.)	72-84	410/205	10550.44051.01-60715011	12.079

ACCELERATOR CABLES

Comandi acceleratore a pedale Cables d'accelerateur Vergaserzuge

APPLICATION	YEAR	LENGTH	OEM/Compares with No.	OUR REF.
ARO				
Dacia			6001.543.275	13.413

AUDI

A3 all (exc.1.8 T) A3 1.8 20V A3 1.6	97- -97 -97	1750/1510	1J0.721.555Q 1J1.721.555J	13.135
A3 1.8 T	96-	1280/1035	1J0.721.555D/T	13.646
80 GL-GLS 1.6	9/78-79	810/580	811.721.555D	10.558
80 GL-GLS 1.6	9/79-81	860/665	811.721.555C	11.382
80 GLS 1.6-1.9	8/81-	1035/805	811.721.555AL/AD	10.559
80 1.6	86-	900/680	811.721.555AA	11.530
80 1.8-Quattro / 90 Quattro	-87	905/530	811.721.555AM	11.958
80 2.2	86-	960/565	811.721.555AB	11.531
80 Diesel-Turbodiesel		740/530	811.721.555AE-321.721.555R	10.560
100 1.6	76-	1100/870	431.721.555K	12.091
100	78-	1165/755	431.721.555C	10.563
100 1.9-2.2	8/80-	1300/1055	431.721.555J	10.564
100 2.2 5 cyl.	78-83	1180/780	431.721.555L	11.959
100 2.2 5 cyl. (autotrans)	78-	690/405	431.723.555D	13.134
100 Diesel	77-	660/465	431.721.555N	10.565
200 Turbo	91-	1270/935	447.721.555	12.092
50	75-	485/300	861.721.555A	10.554
50	75-79	490/300	861.721.555	10.826
50	79-	550/350	861.721.555F	11.402

BMW

315		800/620	3541.1153.166	12.095
316-318-320 (4 cyl.)	-80	650/455	3541.1116.161	10.566
316-318i (4 cyl.)	80-	600/490	3541.1152.684	10.567
316	-9/83	570/420	3541.1154.282	12.096
316	10/83-87	600/420	3541.1154.823	12.097
316i	10/87-	765	3541.1154.625	12.098
316-318i	88-	785	3541.1160.526	14.407
316-318i autotrans	90-	795/566	3541.1160.938	14.408
320 M60 (6 cyl.)	-82	800/670	3541.1120.357	10.568
320i (4 cyl.)	82-	640/490	3541.1116.187	11.532
320i (6 cyl.)	82-	640/400	3541.1154.285	11.533
323i (6 cyl.)	-82	615/490	3541.1121.007	10.569
324 D	85-	825/580	3541.1156.094	11.534
518-520 (4 cyl.)	-80	680/490	3541.1116.090/1186.090	10.570

ACCELERATOR CABLES

Comandi acceleratore a pedale Cables d'accelerateur Vergaserzuge

APPLICATION	YEAR	LENGTH	OEM/Compares with No.	OUR REF.
BMW				
520 (6 cyl.)	-82	835/685	3541.1120.358	10.571
520i (6 cyl.)	-82	635/495	3541.1116.468	10.572
518 4 cyl.	82-	822/601	3541.1154.821	14.410
520i	83-	640/415	3541.1153.859	11.535
524 Td	85-	845/560	3541.1154.508	11.536
525i-528i-535i-M535i	81-93	745	3541.1153.001	13.647

CITROEN

AX all 5 cv	86-	1320/1180	95636403	11.538
AX all 6 cv	87-	1230/1065	95636402	11.539
AX 1.0-1.1-1.4 GT	88-	1060/905	96016640	11.962
AX Sport	88-	1190/1020	95638604-96060371	12.123
AX Diesel	88-	1110/985	96016641	11.963
AX 1.4 (ch.3949-4192)	8/87-5/88	1030/850	96016639	13.136
Axel all	85-	560/345	95495918	11.383
BX 1.4	82-	1120/825	95496078-95496127	10.588
BX 1.6	82-	1355/1080	95496079	10.589
BX Diesel	83-	1440/1230	95605660	10.590
BX Sport	86-	1370/1210	95612286	11.541
C1 all 1.0	05-	1330/1135	1629.G4	14.781
CX 2.0-2.2	74-	835/620	5463299-75492153	10.591
CX Diesel-Rotodiesel	9/82-	985/820	5490877-75492623/24	11.741
CX Diesel Bosch	9/82-	860/750	5490627	11.384
CX 2.5 IE-Turbo	86-	1640/1415	95496467	11.542
CX Diesel 2.5	86-	1105/1015	95495730	11.543
XM (exc.24V)	90-	1510	96080638	13.137
Visa Special Club 652 cc	79-	600/475	75492030/31	10.574
Visa Super 1.1	79-82	970/690	75492213/14	10.576
Visa Super 1.1	82-84	500/310	95494610	11.540
Visa 950-1.1	84-	560/460	95496866-95600210	11.961
Visa GTI	84-	1470/1320	95610422-95605369	11.537
Visa Diesel	84-	1015/830	95595357	10.577
GS all (carb. Solex)	76-	650/475	GX5458422-5490019	10.585
GSA (carb. Weber)	80-	740/510	75491096	10.586
GSA (carb. Solex)	80-	560/350	75492244	10.587
LN-LNA	79-	600/475	75492030/31	10.574
Dyane 6 / 2CV / Acadyane	77-	770/610	5491447S	10.573
Mehari	78-	650/495	75492414/15	11.960

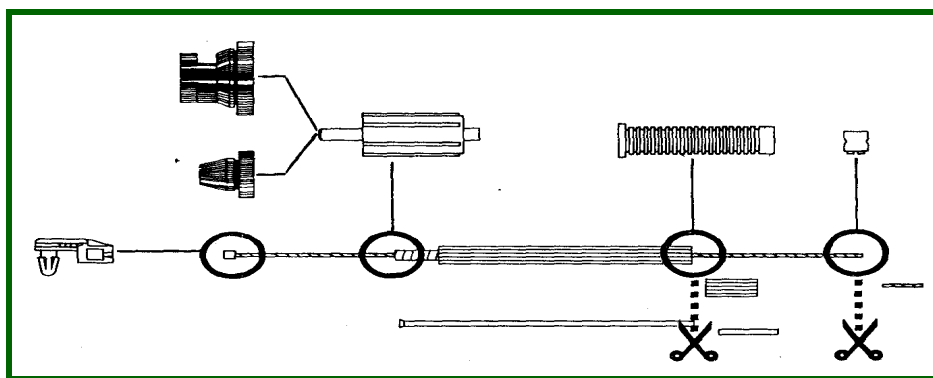
ACCELERATOR CABLES

Comandi acceleratore a pedale Cables d'accelerateur Vergaserzuge

APPLICATION	YEAR	LENGTH	OEM/Compares with No.	OUR REF.
-------------	------	--------	-----------------------	----------

CITROEN

KIT LNA 11-AX	83-		95656497	14.412
KIT Visa-BX-CX-ZX-C15	89-		95656496	14.413
KIT AX-BX-CX-ZX-Visa-C15			1629.86	10.575
KIT Saxo	97-		1629.A7	13.138
KIT Xantia	96-		1629.C6	13.139
KIT Xantia-XM-Xsara-Berlingo	97-		1629.E8	13.672
KIT Xsara-Picasso	00-		1629.G0	13.427
KIT Evasion			5894946	13.140
KIT C3 – Saxo			1629.F9	13.428
KIT C5			1629.F8	13.429
Commercial vehicle				
C15 Benz.	88-	560/450	95496866-95600210	11.961
C15 Diesel	84-	1015/830	95595357	10.577
C25 Benz .	83-	1150/900	ZF4477021	10.654
C25 Diesel	83-	780/645	ZF05929979	10.656
C25 Diesel		770/615	5929982	13.141
C 25			ZF07618342	14.411
C32 Diesel	-9/80	1060/865	5441578	10.592
C32-C35 Benz.		895/700	5436394	11.965
C32-C35	10/80-	1290/1130	95492680	10.593
Jumper 2.0 Bz	94-	1018/777	1629.C0-1305031080	13.170
Jumper DS 1.9-TDS 1.9	94-	1107/921	1629.D0-1302854080	13.168
Jumper DS 2.5	94-	1230/1012	1629.D1-1305051080	13.951
Jumper TDS 2.5	94-	1130/911	1629.D2-1309896080	13.952
KIT C25 – Jumper 2.0/1.9 Ds- 2.5 Ds	94-		1629.E6	10.625

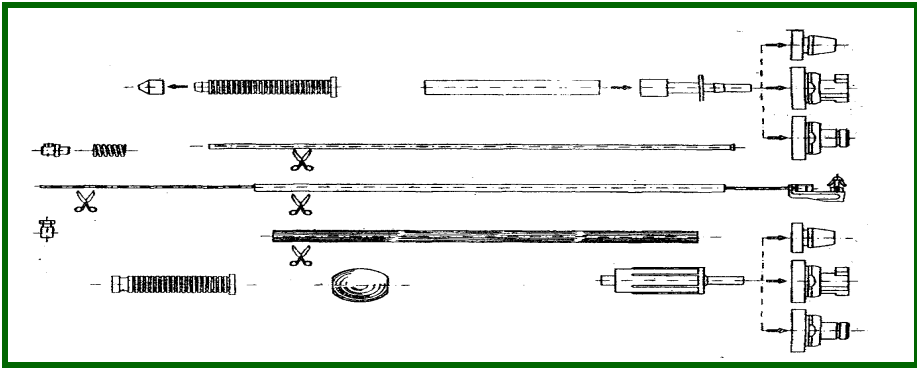
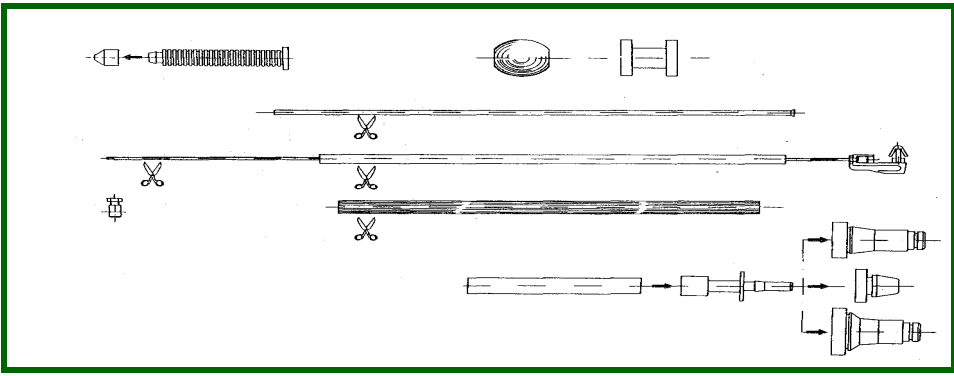
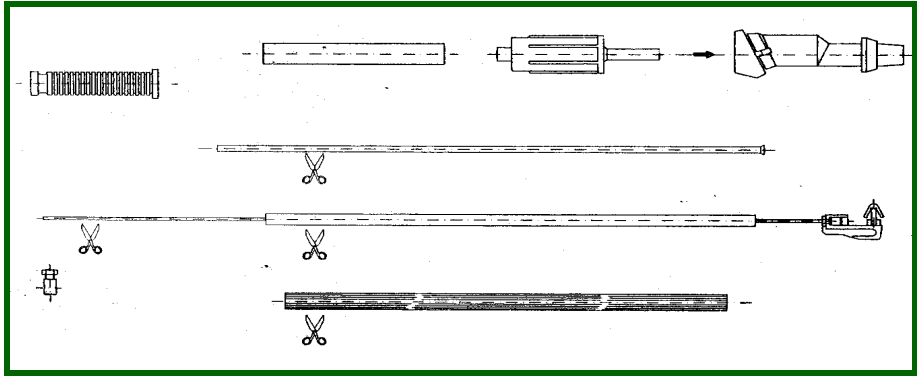
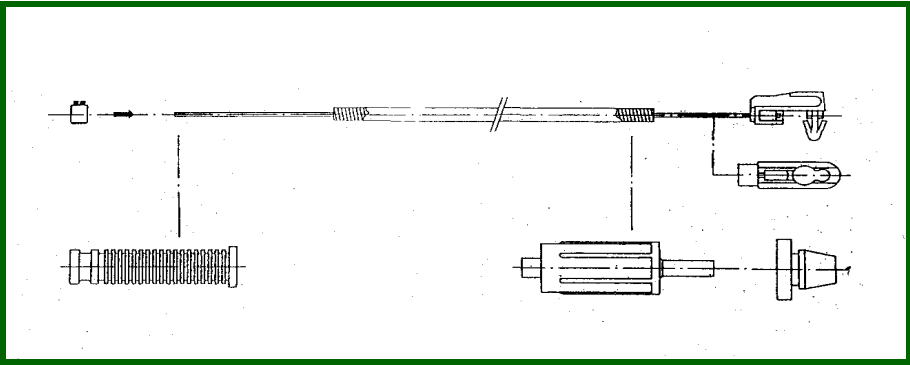


14.413

ACCELERATOR CABLES

Comandi acceleratore a pedale Cables d'accelerateur Vergaserzuge

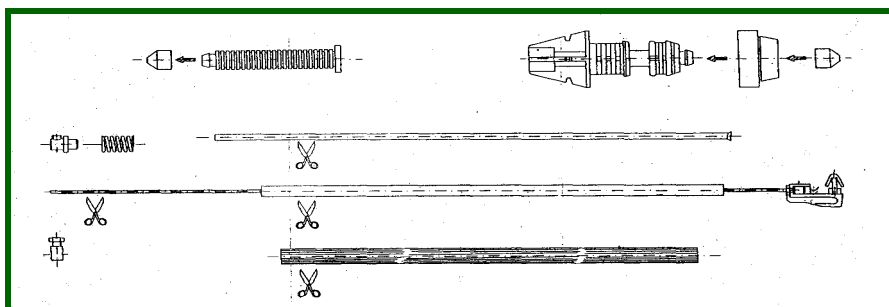
APPLICATION	YEAR	LENGTH	OEM/Compares with No.	OUR REF.
				10.575
13.138				
13.139				13.139
13.672				



ACCELERATOR CABLES

Comandi acceleratore a pedale Cables d'accelerateur Vergaserzuge

APPLICATION	YEAR	LENGTH	OEM/Compares with No.	OUR REF.
FIAT				
Punto 55-60-75	11/93-	830/700	7736507	12.171
Punto 6 speed	11/93-	850/720	7775116	12.172
Punto GTI	11/93-	720/560	7722083	12.173
Punto Diesel	11/93-	1185/1015	7739541	12.174
Punto 55-60-75	97-	880/720	7780024	13.650
Punto 6 speed	97-	890/630	7780032	13.651
Punto 85 1.2 16V	97-	730/490	46473223	13.652
Punto 1.4 Racing	97-	940/760	46467449	13.653
Punto Diesel	97-	1105/920	7780028	13.654
Punto 1.2 8V-Spi	99-	800/640	46749873-46749874	14.418
Punto 1.8 HGT 16V	99-	865/695	46540245	13.775
Bravo / Brava 1.4	95-	605/470	46431041	13.149
Bravo / Brava 1.6	95-	605/355	46463149	13.151
Bravo / Brava 1.6 (autom.)	95-	625/450	7776549	13.150
Bravo / Brava 1.8	95-	1220/1055	46446692	13.152
Bravo / Brava Diesel-Turbodiesel	95-	1045/845	7777663	13.157
Bravo / Brava TD 100cv	96-	705/520	46469731-46410902	13.154
Bravo / Brava TD 75cv	96-	910/730	46475311-46468658	13.155
Bravo 2.0 20V	95-	695/500	7772034	13.153
Marea 1.4	95-	605/470	46431041	13.149
Marea 1.6	95-	605/355	46463149	13.151
Marea 1.6 (autom.)	95-	625/450	7776549	13.150
Marea 1.8	95-	1220/1055	46446692	13.152
Marea 1.8	96-01	1225/945	46469068	13.658
Marea 2.0 20V	95-	695/500	7772034	13.153
Marea TD 75cv	96-	910/730	46475311-46468658	13.155
Marea TD 100cv	96-	705/520	46469731-46410902	13.154
Cinquecento 700cc	2/92-	640/460	7699064	11.968
Cinquecento 700cc cat.	93-	565/410	7709408	12.153
Cinquecento 900cc	2/92-	750/585	7700305	11.969
Cinquecento 900cc cat.	2/92-	660/490	7700172	11.970
Cinquecento Sporting	95-	835/685	46406434	13.142
Seicento 900	98-	708/530	7749741	13.940
Seicento 900 Antiskid	3/98-		46737306	13.414
Seicento 1100 Sporting Antiskid	3/98-		46737307	13.416
Seicento 1108 cc	3/98-	835/685	46406434	13.142
Seicento 1100 Sporting	00-		46557485-46841644	13.415
Ulysse all (KIT)	94-		5894946	13.140



13.140

ACCELERATOR CABLES

Comandi acceleratore a pedale Cables d'accelerateur Vergaserzuge

APPLICATION	YEAR	LENGTH	OEM/Compares with No.	OUR REF.
FIAT				
Premio		1200	7509509	13.175
Premio 1.5/1.6		1230/1060	7667718	13.148
Palio TD70	97-	1050/880	46440558	13.655
Palio 70 1.2	97-	965/820	46449119-46449120-46470590	13.656
Palio 100 1.6	97-	575/230	46419108	13.648
Palio / Palio extra Europa	97-02	1025/875	46523140	13.421
Palio all 1.2	04-	915/775	46740789	14.652
Multipla 100 all		705/485	46510552	13.909
Barchetta all		1406/1126	47300129-46724231	13.660
Coupè 2.0 – 2.0 Turbo	94-	580/340	46412580-46426742	13.657
Coupè 1710 16V (-mot. 0331796)	95-	1221/1050	46446692	13.152
Coupè 1710 16V (mot. 0331796-)	95-	1225/945	46469068	13.658
Coupè 1750 16V-2.0 16V	96-	615/420	46458212	13.659
Coupè 2.0 20V Turbo	96-	1120/545	46460618	14.417
Doblò 1.2 all	01-	750/550	46796027	14.651
Panda 30	80-	655/485	4414598	10.599
Panda 45	80-	535/420	4406533	10.600
Panda 750 Young	87-			
Panda 45 Super	10/82-	800/650	5960963	10.601
Panda 900 Dance	89/91			
Panda 750-1000-4X4-4x4 Fire	86-	950/720	7562094-7639374	10.602
Panda 750-1000 IE	88-	880/700	7618770	11.545
Panda Diesel	86-	750/560	7583539	11.393
Panda 750-1000-4x4 Fire	90-	855/735	7699907-7737766	11.742
Panda Dance	92-93	875/745	7687765	12.176
Panda all – Panda 4x4	92-	815/560	46783014	12.927
Panda Dance-Regimental (cat.)	93-	635/505	7739999	12.169
Panda 1.1 SPI	93-94	550/430	7724754	12.170
Panda 1.1 SPI	94-	690/825	7740732-7760314	13.143
Nuova Panda	03-	765/605	46800470-51739117-51733652	13.422
Uno 45	83-	800/650	5960963	10.601
Uno Sting	-89			
Uno Trend 903 cc	89-			
Uno 45 (mot. Fire)	5/85-	1120/880	7556948	10.622
Uno 55-70 all	83-	1220/1100	5944272	10.620
Uno 60-70 all	85-	1295/1040	7563347	11.392
Uno Turbo IE	85-87	1180	7551997	10.621
Uno Turbo IE 1.3	89-			
Uno Turbo IE (funne con snodo)	85-	125	7565759	11.549
Uno 1.5 IE Bosch	88-	940/820	7615151	11.548
Uno Turbo IE	87-	1155/975	7620591	11.550
Uno 1.1-1.3	85-86	1180/990	7566908-92322818	11.749
Uno CS-Trend 1116 cc (mot.Brasil)	89-	1080/775	7606511-7665628	11.388
Uno CS	88/91	90/660	5963186	11.561
Uno Diesel all	83-	780/580	5970581	10.623
Uno Turbodiesel	86-	1050/880	7596797-7586797	11.387
Uno Turbo IE 1.4	89-	1325/1075	7578874	11.743
Uno IE 1.4 Bosch	89-	650/555	7625388	11.744
Uno 1.4	89-	640/460	7656628	12.713

ACCELERATOR CABLES

Comandi acceleratore a pedale Cables d'accelerateur Vergaserzuge

APPLICATION	YEAR	LENGTH	OEM/Compares with No.	OUR REF.
FIAT				
Uno Diesel 1.7	89-	1020/850	7671678	11.745
Uno 60-Trend	-5/90	1060/940	7711510-7719939/2	14.416
Uno 1.0-1.1 (mot. Fire)	90-	830/720	7706323-7748536	11.746
Uno 1.1 (mot. Fire cat.)	92-	1005/830	7732285	12.175
Uno Sting 903 cc-Trend	92-	875/745	7687765	12.176
Uno Diesel 1.7 all	92-	995/785	7764057	13.144
Uno 1.0	93-	1090/770	7520131	13.147
Duna 60-70	87-	1080/775	7606511-7665628	11.388
Duna Diesel	87-	1025/860	7588302	11.389
Duna	86-90	790/660	5963186	11.561
Tipo 1.1	88-	875/720	7598787	11.555
Tipo 1.4-1.6	88-	710/545	7599345-7715247	11.556
Tipo 1.4 IE	89-	675/645	7633255	11.747
Tipo 1.6 IE	89-	670/490	7623490	11.748
Tipo 16V	89-	660/550	7658744	10.625
Tipo Diesel-Turbodiesel	88-	1065/890	7601050	11.390
Tipo Diesel-Turbodiesel (Bosch)	91-	1080/915	7697822	12.160
Tipo Diesel (Cav)	91-	1000/825	7658763	12.161
Tempra 1.4-1.6	88-	710/545	7599345	11.556
Tempra 1.4 IE	89-	675/645	7633255	11.747
Tempra 1.6 IE	89-	670/490	7623490	11.748
Tempra 1.8	90-	610/485	7630757	11.583
Tempra Diesel	90-	1065/890	7601050	11.390
Tempra Turbodiesel (Bosch)	91-	1080/915	7697822	12.160
Croma 1.6	1/86-	830/665	82412187-82450970	10.647
Croma CHT	1/86-	1120/830	82427767	11.385
Croma CHT	-88	1410/1235	82428747	11.564
Croma CHT	88-	1420/1235	82439532	11.557
Croma CHT	91-	1455/1260	82450872	12.162
Croma IE-Turbo IE	1/86-	695/550	82402398-82415444	10.648
Croma IE-Turbo IE	88-	700/520	82437904	11.558
Croma IE-Turbo IE	91-	1180/960	82446865	12.179
Croma 2.0 IE	89-91	705/465	82446859	12.165
Croma Diesel 2.0 ID	88-	1195/1010	82444423	11.560
Croma Diesel 2.0 ID	93-	1180/960	82484339	13.165
Croma Diesel-Turbodiesel	86-	1155/990	82390039-82427765	11.386
Croma Diesel-Turbodiesel	87-	1140/975	82439691	11.559
Croma Diesel-Turbodiesel	88-	1170/970	82437902-82448444	12.166
Croma Diesel-Turbodiesel (1930 cc)	93-	1370/1135	82473850	12.167
Croma Turbodiesel 2.5	89-92	1140/970	82446863	12.168
Croma 2.0	86-	1095/780	82421616	13.417
Regata 70-85 1.3-1.5	9/83-	1140/930	4479233	10.611
Regata 85 S 1.6	9/83-	1180/920	5955246	10.644
Regata 70 1.3	5/85-	1200/950	7562689-92322817	10.616
Regata 100 1.6	9/83-85	695/590	4468518	10.612
Regata 100 1.6	5/85-	570/400	7542417	10.645
Regata 1.6 (air cond. model)	87-	1180/990	7606109-92513025	11.972
Regata 1.6	87-	1250/965	7606108-7578735	11.552
Regata 1.6 IE	87-	875/675	7585115	11.553

ACCELERATOR CABLES

Comandi acceleratore a pedale Cables d'accelerateur Vergaserzuge

APPLICATION	YEAR	LENGTH	OEM/Compares with No.	OUR REF.
FIAT				
Regata (cambio automatico)	9/83-	855/690	4413988	10.615
Regata 2.0	87-	670/480	7606105	11.971
Regata Diesel	9/83-	945/780	5960778	10.619
Regata Diesel	85-	525/360	7550278	10.646
Regata Turbodiesel	86-	1030/860	7568755	11.554
Ritmo 60-65 all	-2/79	400/280	4392879	10.609
Ritmo 60 L	3/79-81	655/510	4394605	10.610
Ritmo all	4/81-	1140/930	4479233	10.611
Ritmo 60-70	5/85-	1200/950	7562689-92322817	10.616
Ritmo 75 (cambio automatico)	78-	855/690	4413988	10.615
Ritmo 100-105 TC	81-	695/550	4468518	10.612
Ritmo 125 TC	81-	485/355	4472632	10.613
Ritmo 130 TC Abarth	82-	890/740	5981882	10.614
Ritmo 130 TC Abarth	5/85-	930/725	5995379	10.617
Ritmo Diesel all	80-	880/720	4431959-5945752	10.618
Ritmo Diesel all	10/82-	945/780	5960778	10.619
Ritmo Turbodiesel	86-	490/320	7584158	11.551
Argenta 1.6	81-	990/800	4431113	10.637
Argenta 2.0 IE	81-	1130/920	4441279	10.638
Argenta Diesel (Bosch)	81-	550/430	4472295-5947342	10.641
Argenta Diesel (Cav)	81-	455/335	4472361	10.642
Argenta Turbodiesel	84-	505/375	5964001	10.643
Argenta 2.0 Vx	84-	745/580	5973415	13.164
500 all	64-	2140/860	4127902-4130875	10.594
500 Giardiniera all	64-	2400/960	4127153-4132151	10.595
126 all		2140/860	4127902-4130875	10.594
126 Bis	87-	2460/1260	7557124	11.544
127 900 cc	6/77-	410/340	4365648	10.603
127 900 cc	10/82-	950/820	5932425	10.604
127 900 cc 5 doors		475/365	3921303	10.605
127 1050 cc-Sport	6/77-	665/530	4364354	10.606
127 Panorama / 147 Brasil	81-	665/540	4359989	10.607
127-127 Panorama Diesel	81-	685/490	4471188-5928954	10.608
131 1.3-1.6	-3/78	580/425	4322386-4347291	10.627
131 L-CL 1.3-1.6	4/78-4/81	560/470	4406514	10.628
131 CL 1.3-1.6	5/81-	710/540	4445320	10.631
131 Supermirafiori 1.3-1.6	9/79-	1325/1165	4460586	10.630
131 L-CL (cambio automatico)	78-	1125/990	4357123	10.632
131-Brava-Superbrava (USA mod.)	81-	630/430	4441592	12.710
131 Diesel (Bosch)	79-	450/320	4378341-4473012	10.633
131 Diesel (Cav)	79-	387/260	4421015-4473024	10.634
132 all	-79	410/290	4361082-4409438-4357121-4413866	10.636
132 1.6-2.0	80-	990/800	4431113	10.637
132 2.0 IE	80-	1130/920	4441279	10.638

ACCELERATOR CABLES

Comandi acceleratore a pedale Cables d'accelerateur Vergaserzuge

APPLICATION	YEAR	LENGTH	OEM/Compares with No.	OUR REF.
FIAT				
132 Diesel (Bosch)	81-	575/450	4414195	10.639
132 Diesel (Cav)	81-	480/360	4421010	10.640
124-124 Special	66-	350/250	4162231-4291977	10.624
124 ST 1.6	72-	650/550	4291979	10.626
124 Spyder	75-	510/300	4354211	12.157
124 Spyder Europa 2.0	82-	600/400	4442438	12.164
600 D	63-	3300/455	4130053-4062360	10.596
850 all	65-	3300/1015	4103422/25-4127153	10.597
X1/9 (complete)	-78	1980/770	4264546-4418706	10.662
X1/9 (complete)	79-	1930/880	4425017	10.663
X1/9 (guaina-conduit only)	77-79	720	4418708	14.415
X1/9 (interno.inner only)	-77	1980	4264548-4366101-4418706	14.414
500-126-600-850-900T inner only				10.598
Commercial vehicle				
Ducato Benzina	81-	1150/900	4477021	10.654
Ducato Diesel	81-	1000/885	4398035	10.655
Ducato Diesel (mot.Citroen)	81-	780/635	5929979	10.656
Ducato Diesel (mot.Citroen)		770/615	5929982	13.141
Ducato Diesel-Tds / Talento	87-	1065/900	7594596	11.563
Ducato Diesel 2.0	94-	1045/870	1300680080	13.168
Ducato Diesel 2.5	94-	1150/950	1305134080	13.169
Ducato Benzina	94-	1020/850	1305031080	13.170
Ducato Diesel 2.0 (ch.5057672-)	96-	1120/920	1315770080	13.661
KIT Ducato	94-		1629.E6	10.625
Scudo (kit)	96-	1185/1018	5894946	13.140
Talento R90 benz.	90/94	1150/900	4477021	10.654
Talento R90 diesel	90/94	1065/900	7594596	11.563
Fiorino 900 cc	82-	970/820	5932425	10.604
Fiorino 1.1 cc	88-	790/660	5963186	11.561
Fiorino 1.5 cc	88-	1010/890	7616814	11.562
Fiorino 1050 cc (Brasil mod.)	81-	665/540	4359989	10.607
Fiorino Diesel	82-	685/490	4471188-5928954	10.608
Fiorino Diesel	88-	1025/860	7588302-7661142	11.389
Fiorino 1.3	89-	1068	7665628-7606511	11.388
Fiorino 1.4-1.6 cat.	93-	595/475	7745824	13.167
Fiorino Ds (pompa Cav)	93-	945	7790828	13.418
Fiorino Tds	93-	1020	50009572-50012521	13.419
Fiorino Ds 1300		695/560	7657314	13.420
Daily / Grinta (Bosch)		1090/890	93802790	10.657
Daily / Grinta (Cav)		1145/890	93803172	10.658

ACCELERATOR CABLES

Comandi acceleratore a pedale Cables d'accelerateur Vergaserzuge

APPLICATION	YEAR	LENGTH	OEM/Compares with No.	OUR REF.
FIAT Commercial vehicle				
Daily / Grinta	85-	1250/1020	93803066	11.391
Daily 30.8-35.8-40.8	91-	1135/855	93813566	12.177
Daily 35.10-45.10-49.10	91-	1080/850	93810251	12.178
New Daily		1120/870	93814095	12.715
New Daily		1050/860	93814089	12.716
Campagnola Diesel	80-	440/310	4436995	10.653
242 Diesel	-79	1060/865	5441578	10.592
242 E Diesel	79-	1300/1140	5492679/80	10.593
600 D	63-	3300/220	4062360-4076032	12.159
600 T / 850 T / 900 T		3500/965	4062432-4130996	10.649
600 type III-600 Multipla		3300/220	984814-978721	12.180
850T		3760/2615	4062432	10.650

FORD

Fiesta 900-1.1	76-	735/600	6048102-77FB9C799FB	10.667
Fiesta 1.1	6/89-	960/810	6168454-89FB9C799CB	11.566
Fiesta 1.1i	6/89-	915/810	6168457-89FB9C799GA	11.974
Fiesta 1.3	76-83	1060/870	6049458-78FB9C799AA	10.668
Fiesta 1.3	83-86	920/720	6049459-78FB9C799BA	11.567
Fiesta 1.4	86-89	1105/915	1640735-86FB9C799	11.568
Fiesta 1.4	6/89-	1380/1255	6168458-89FB9C799HA	11.569
Fiesta XR2i-Turbo	6/89-	1240/1010	6197972-89FB9C799LC	11.975
Fiesta Diesel	84-86	1100/910	6116226-84FB9C799BA	10.669
Fiesta Diesel	86-	1120/920	6159660-86FB9C799EA	11.565
Fiesta Diesel (Cav)	-89	1060/940	6168498-89FB9C799VA	11.976
Fiesta Diesel (Bosch)	89-	15210/1355	6201858	13.171
Fiesta 1.8 Ds	95-9/98	1165/1030	1018293	14.778
Fiesta 1.8 Ds	10/98-	1155/1030	1075712-1149532	14.779
Ka	97-	1560	1032225	13.663
Mondeo Diesel	93-	1185/1020	6898849	13.173
Escort MK1	-75	670/535	1483036	10.670
Escort MK2	75-80	670/560	6020567-75AB9C799BA	10.671
Escort MK3 / Orion	80-84	1240/1080	6068106-81AB9C799AA	10.672
Escort / Orion 1.3-1.6	4/84-	1185/1045	6129816-83AB9C799AA	11.394
Escort / Orion 1.1-1.3	-86	900/810	6096579	11.570
Escort / Orion 1.6i	-86	2040/1940	1613154-6129815	11.571
Escort 1.6i	86-	1470/1330	1634938	11.572
Orion 1.4i-1.6i	86-	1420/1320	6159903-86AB9C799AC	11.573
Escort / Orion 1.3	9/90-	1022/850	6200944-91AB9C799AB	11.977
Escort / Orion 1.4-1.6	9/90-	1440/1310	6560809-91AB9C799KB	11.978
Escort / Orion 1.4i	9/90-	1380/1190	6608429-91AB9C799JF	11.979
Escort / Orion 1.6i	9/90-	1310/1160	1664685-6630810	11.980

ACCELERATOR CABLES

Comandi acceleratore a pedale Cables d'accelerateur Vergaserzuge

APPLICATION	YEAR	LENGTH	OEM/Compares with No.	OUR REF.
INNOCENTI				
Elba S-Weekend	86-	790/660	5963186	11.561
Elba 1.6L	91-	1230/1060	7667718	13.148
Elba 1.5L Weekend	91-	1090/770	7520131	13.147
Elba Cs		1200	7509509	13.175
Mini Minor-Cooper	65-	810/635	38822124-39922108	10.693
Mini 90-120	76-	465/335	5382.21103	10.695
Minitre 650		1020/880	5583.00204	11.757

LANCIA-AUTOBIANCHI

Y10 Touring-Turbo	3/85-	850/660	5987925	10.699
Y10 Fire 1.0-1.1	3/85-	830	7532672	10.700
Y10 Fire 1.0-1.1	6/90	855/735	7699907-7737766	11.742
Y10 LX IE-4WD IE	89-	880/700	7618770	11.545
Y10 1.3	89-	765/585	7621081	11.581
Y10	94-	825/690	7760314	13.143
Y 1.2	96-	860/700	46454010	13.159
Y 1.2 ECVT (TA)	96-	900/738	46454012	13.424
Y 1.4	96-	590/410	46430821	13.160
Y 1.4	97-	800/620	46455495	13.666
Y all	00-03	803/540	46742243	12.271
Y 1.2	03-	760/575	46813931	12.270
Zeta all (KIT)	94-		5894946	13.140
Kappa 2.0	94-	840/590	60603127	13.180
Kappa Turbo 16v	95-	770/495	7798474	14.426
Lybra 1.6	99-	792/500	46524128	13.911
Lybra 1.8	99-	1070/894	46764471	13.912
Delta 1.3-1.5	80-82	1215/1050	82356324	10.709
Delta / Prisma 1.3-1.5	86-	1200/1060	82426140	11.761
Delta 1.6 GT / Prisma 1.6	83-	970/860	82384902	10.712
Delta 1.6-2.0-4WD / Prisma 1.6-2.0	86-	640/435	82421754	11.396
Delta / Prisma 1.6 IE	86-	850/690	82427081	11.762
Delta 2.0 4WD 16V	89-	640/500	82448036	12.281
Delta TD / Prisma Diesel-TD	85-	670/535	82399609	10.713
Delta 1.4-1.6	93-	670/520	7730030	12.717
Delta 1.8	93-	660/460	7744338	13.163
Delta 2.0	93-	580/380	82474154	13.162
Thema 2.0 IE-Turbo IE	84-88	700/550	82402398	10.648
Thema 2.0 IE	88-89	700/520	82437904	11.558
Thema 2.0 IE	89-	705/470	82446859	12.165
Thema 2.8 V6	84-	1370/1155	82399762	11.763
Thema 2.0 16V	89-	685/500	82437900	11.585
Thema 2.0 16V	90-	665/450	82446861	13.665

ACCELERATOR CABLES

Comandi acceleratore a pedale Cables d'accelerateur Vergaserzuge

APPLICATION	YEAR	LENGTH	OEM/Compares with No.	OUR REF.
NISSAN				
Micra 1.0-1.3	93-	1225	18201.5F200/5F700/5F701	13.185
Primera 1.6 (GA 16 DS)	91-	1283/1037	18201.99J02	13.186
Primera 2.0 (CD 20)	91-	1330/1165	18201.99J11	13.187
Primera 2.0 (SR 20 JD1)	91-	1395/1240	18201.93J01	13.188
Primera 2.0 (SR 20 DE)	91-	2039/1834	18201.94J01	13.189
Primera P11		1980/1700	18201.9F610	14.435
Primera P11 drum brake		1345/1110	18201.2F010/2F070	14.436
Primera P11 disc brake		2030/1780	18201.2F210/2F270	14.437
Primera W10/W10 Kombi		1335/1080	18201.81N00	14.438
Sunny Turbo 2.0l Abd mod.		1655/1470	18201.65C00	14.440
Almera GA14DE-GA16DE	7/95-	1344/1105	18201.1M200	14.428
Almera CD20	7/95-	1338/1160	18201.60J01	14.429
Almera – Tino			18201.BN000	14.434
300 ZX		1295/1120	18201.30P00	14.441
Pick Up 620	72-74	505	18200.B5500-A8200.B5500	13.192
Serena		3000/2800	18201.9C600	14.432
Serena		2240/2010	18201.9C700	14.433
Commercial vehicle				
Vanette		2310/2115	18201.Y9504	14.430
Vanette		2690/2470	18201.Y9600	14.431

OPEL

Corsa 1.0-1.2	11/82-	740/570	848.713	13.196
Corsa 1.3 (-ch. 4002669)	11/82-	750/570	848.854	10.735
Corsa 1.3 (ch. 4002670-)		720/555	848.948-848.974	13.195
Corsa B 1.2-1.4	93-	840/645	847.061-90411031	12.404
Corsa B 1.4 (82 cv)	93-	780/570	847.065-90411035	12.405
Corsa 1.6 GSI	93-	1025/825	847.067-90448575	12.406
Corsa 1.5 Diesel-Turbodiesel	93-	1190/980	847.060-90411040	12.407
Astra 1.4	9/91-	750/560	847.022	11.824
Astra 1.4i-1.6i	9/91-	750/520	847.051	12.401
Astra 1.7 Diesel	9/91-	1240/970	847.049	12.402
Astra 1.7 Turbodiesel	92-	700/490	847.029	12.403
Astra 1.2	98-	671/403	847.166-90530802	13.835
Astra 1.4-1.6-1.8-2.0	98-	602/362	847.168-90530808	13.836
Astra 1.6 8v (no Italy)	98-	795/538	847.172-90530812	13.837

ACCELERATOR CABLES

Comandi acceleratore a pedale Cables d'accelerateur Vergaserzuge

APPLICATION	YEAR	LENGTH	OEM/Compares with No.	OUR REF.
OPEL				
Tigra 1.4	93-	780/570	847.065-90411035	12.405
Tigra 1.6	93-	1025/825	847.067-90448575	12.406
Vectra 1.4-1.6-1.8	88-	750/560	847.022	11.824
Vectra 1.6-1.8 (cat.)	88-	775/580	847.018	11.986
Vectra 2.0	88-	780/590	847.015	11.987
Vectra 2.0 IE	88-	995/740	847.011	11.988
Vectra 1.7 Diesel	88-	1235/1020	847.007	11.989
Vectra 1.6 8V (SZR mot.)	9/95-	800/600	847.100-90500412	13.668
Vectra 1.6 16V all	9/95-	710/520	847.113-90500196	13.667
Vectra 1.6-2.0 8V	9/95-	790/540	847.104-90500183	13.669
Vectra 1.8-2.0 16V all	9/95-	645/410	847.118-90500187	13.670
Kadett D 1.0-1.2	9/79-	715/490	848.696	10.719
Kadett D 1.3	9/79-	570/340	848.695	10.720
Kadett D 1.3 S	9/79-	495/315	848.694	10.721
Kadett D 1.3 S	9/81-	500/310	848.698	10.722
Kadett D 1.3 S (automatic gear)	9/79-	520/335	848.832	10.723
Kadett D-E 1.6	9/79-	1020/825	848.826-848.836	10.725
Kadett D-E Diesel	82-	1220/1010	848.838-848.852	10.729
Kadett E 1.2 S OHV-OHC (84-)	9/81-	770/570	848.830-848.860-848.705	10.726
Kadett E 1.3 S	84-	745/570	848.964	10.727
Kadett E 1.8 IE	84-	505/350	848.958	10.728
Ascona B 1.2	75-	545/340	848.688	10.730
Ascona B / Manta 1.6		720/525	848.704	10.731
Ascona B / Manta 1.9	75-	750/570	848.683	10.737
Ascona B / Manta 2.0	76-	900/670	848.677	13.197
Ascona B Diesel	-81	730/570	848.685	10.733
Ascona C 1.3	9/79-	570/340	848.695	10.720
Ascona C 1.3 S	9/81-	500/310	848.698	10.722
Ascona C 1.6	9/81-	770/570	848.830/705-90231916	10.726
Ascona C 1.6-1.6 S	9/79-	1020/825	848.826-848.836	10.725
Ascona C Diesel	82-	1220/1010	848.838-848.852	10.729
Rekord C 1.7		725/510	848.714	10.738
Rekord D 1.7-1.9	77-	750/520	848.737	10.740
Rekord D 2.0	77-	695/485	848.740	10.741
Rekord D Diesel		755/600	848.719	10.742
Rekord E		710/500	848.754	10.743
Rekord E 1.8 S		1505/1300	848.944-90190805	13.199
Rekord E 2.0 S		700/480	848.742	10.744
Rekord E Diesel		815/645	848.748	10.745
Omega 1.8/2.0	87/93	895/655	848.987-90231928	14.442
Omega Diesel	87-93	885/625	848.988	14.443
OPEL Commercial vehicle				
Bedford CF (mot. Perkins)		970	2705198	10.746
Bedford CF (mot. Opel)		400/250	91050832	10.747

ACCELERATOR CABLES

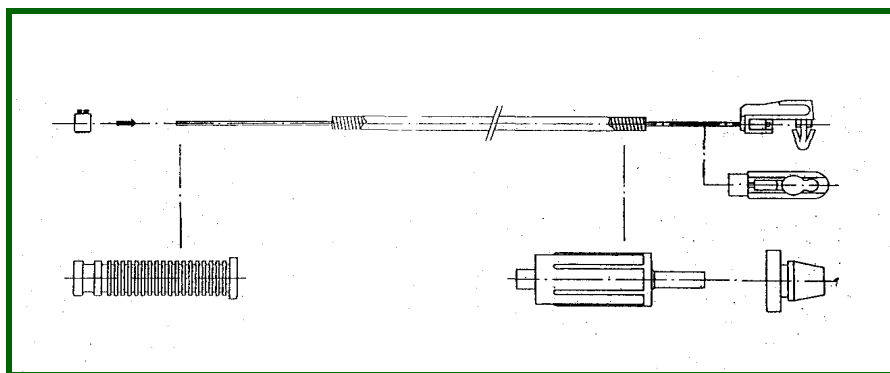
Comandi acceleratore a pedale Cables d'accelerateur Vergaserzuge

APPLICATION	YEAR	LENGTH	OEM/Compares with No.	OUR REF.
PEUGEOT				
104 all (exc. S/ZX mod.)	84-	590/465	1629.12	11.588
106 all	91-	1320	1629.A5	12.434
205 950-1124 cc	83-	775/580	1630.99	10.750
205 GT (XYB motor)	83-	500/280	1629.01	10.751
205 SR 1360 cc-GTI (XY6B motor)	83-	1125/900	1629.02-1629.17	10.752
205 Rally (TU motor)	87-	1485/1355	1629.72	11.591
205 950-1.1-1.4 (TU24 motor)	87-	1040	1629.66	11.592
205 1.6	85-	925	1629.28	10.765
205 Diesel	84-	980/805	1629.09	10.753
206		2680/3080	1629.C6	13.427
305 GT	79-82	1235/1050	1630.96	10.757
305 all	83-	915/580	1630.95	10.758
305 1.3-1.5	85-	880/670	1629.34	11.593
305 1.6	85-	920	1629.39	11.765
305 Diesel Rotodiesel	9/80-	570/420	1630.84	10.762
305 Diesel	85-	970/880	1629.35	11.600
309 GL 1.1 (E1 mot)-GR 1.3 (G1 mot)	85-	880/770	1629.32	10.764
309 GR-SR 1.6 (XU51C mot.)	85-	925	1629.28	10.765
309 GTI 1.6i	83-	1125/900	1629.02-1629.17	10.752
309 GT 1.6i	88-	1420/1275	1629.46	11.594
309 GT 1.9 (XU92C mot.)	85-	1275/1110	1629.30	11.766
309 Diesel (XUD7 mot.)	84-	980/805	1629.09	10.753
405 GL 1.3	87-	1010/800	1629.57	11.595
405 GL-GR 1.6	87-	990/795	1629.61	11.596
405 GR-SR 1.9 (without cat.)	87-	985/765	1629.55	11.597
405 GRI-SRI 1.9	87-	1135/915	1629.68	11.598
405 MI 16	87-	1035/815	1629.63	11.599
405 GR-SR 1.9L	7/88	1110/1360	1629.56	13.891
504 GLD	77-	810/635	1630.44	11.990
505 GL-GR-SR (Zenit carb.)	80-	710	1630.56	10.766
505 GL-GR-SR (Solex carb.)	80-	710/455	1630.58	10.767
505 Break (XN1 mot.)	80-	830/555	1630.93	10.768
505 TI	80-	990/780	1630.60	10.769
505 GR-SR 1.8	85-	1680/1360	1629.31	10.759
505 TI-STI-Turbo	85-	770/530	1629.04	11.767
505 Diesel Rotodiesel	80-	730/555	1630.66	10.770
505 Diesel Bosch	80-	780	1630.64-1630.78	10.771
505 Diesel Bosch	85-	1645/1365	1630.79-1630.68	10.749
KIT 106 all	96-	1510/1210	1629.A7	13.138
KIT 106	02-	1600/1410	1629.F9	13.428
KIT 107 all	05-	1330/1135	1629.G4	14.781
KIT 306 all	94-	1995/1790	1629.C5	13.203
KIT 405	94-	1652/1430	1629.C3	13.671
KIT 406 all	95-	2677/2490	1629.C6	13.139
KIT 806 all	95-	1185/1018	1629.D7	13.140
KIT 106-206-306-605-Partner-Ranch	96-	2710/2500	1629.E8	13.672
KIT 104 (83-)-205-305 XU-309-405			1629.86	14.444

ACCELERATOR CABLES

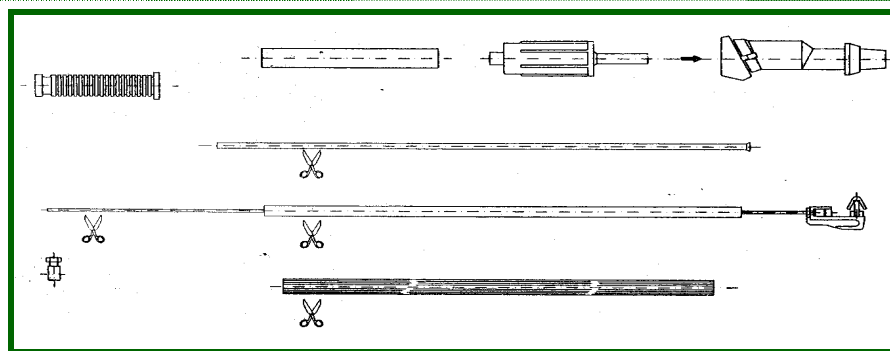
Comandi acceleratore a pedale Cables d'accelerateur Vergaserzuge

APPLICATION	YEAR	LENGTH	OEM/Compares with No.	OUR REF.
PEUGEOT				
104-204-304-404-504-604		1150/985	1630.37-1644.34-1647.08	10.748
104-504-505-604		1365/1645	1630.68	10.749
Commercial vehicle				
J5	83-	1150/900	1630.91	10.654
J5 Diesel	83-	775/635	1630.90	10.656
J7-J9		1150/985	1630.37-1644.34-1647.08	10.748
J7-J9		1365/1645	1630.68	10.749
KIT Boxer 2.0/1.9 Ds/2.5 Ds - J5	94-		1629.E6	10.625

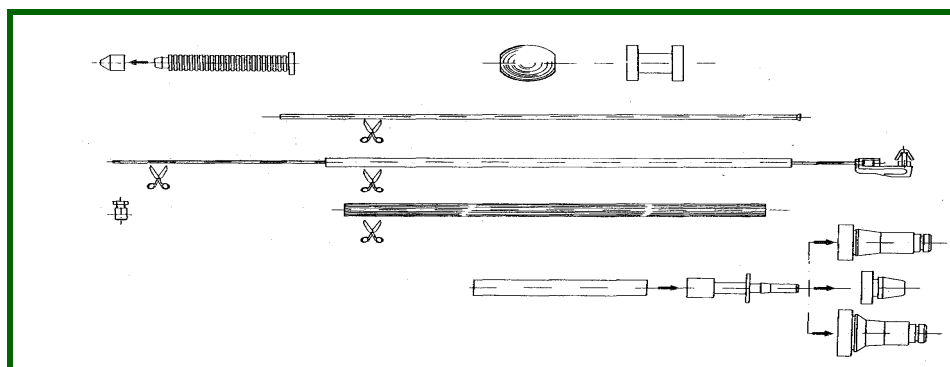


10.575

13.0138

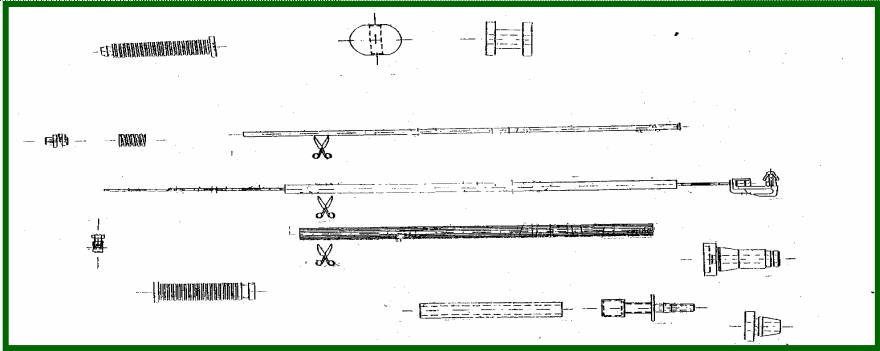
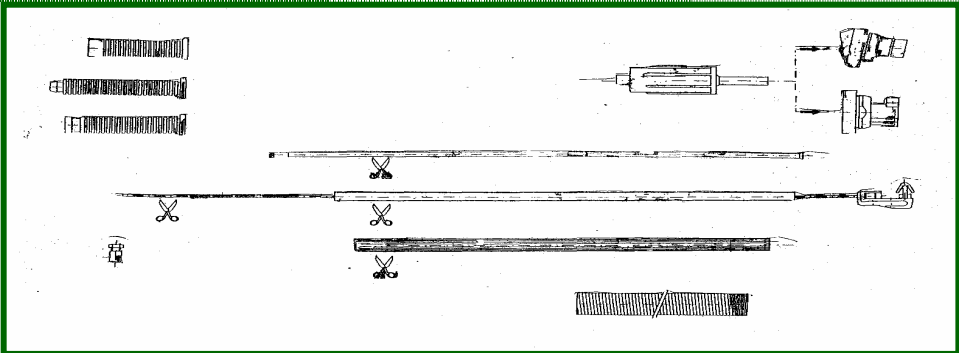
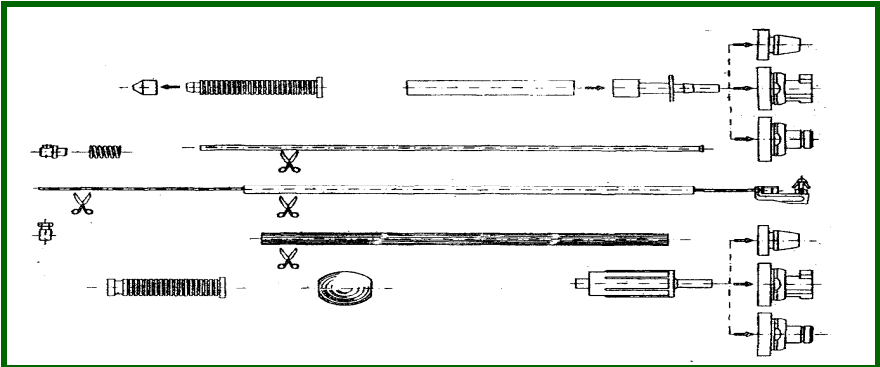
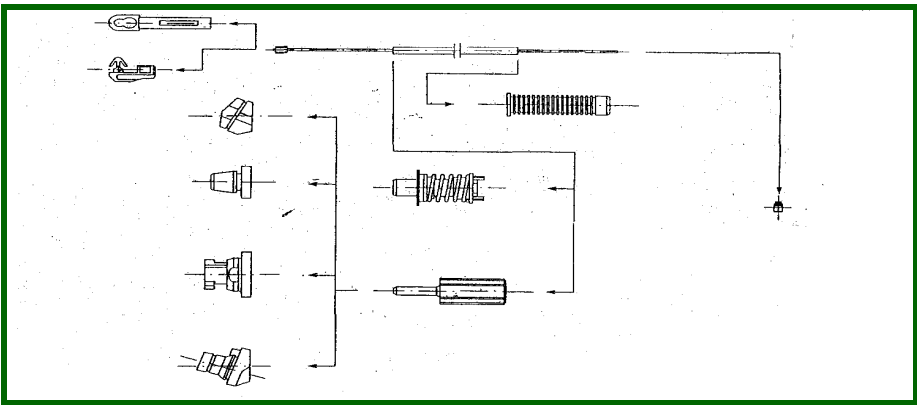


13.139



ACCELERATOR CABLES

Comandi acceleratore a pedale Cables d'accelerateur Vergaserzüge

APPLICATION	YEAR	LENGTH	OEM/Compares with No.	OUR REF.
<p>13.203</p>				
<p>13.671</p>				
<p>13.672</p>				
<p>14.444</p>				

ACCELERATOR CABLES

Comandi acceleratore a pedale Cables d'accelerateur Vergaserzüge

APPLICATION	YEAR	LENGTH	OEM/Compares with No.	OUR REF.
13.140				

POLSKI

126 P		2140/860	4127902-4130875	10.594
126 Bis	87-	2460/1260	7557124	11.544
Polonez 1.3-1.5		1060/880	4389184	10.772
Polonez 1.5S	92-	277		14.445

RENAULT

Clio 1.1	91-	750	7700.802.684	12.488
Clio 1.2	91-	1200	7700.802.693	12.489
Clio 1.4	91-	1270	7700.814.767	12.486
Clio 16V	92-	760	7700.802.691	12.490
Clio Diesel	91-	950	7700.802.692-7700.831.505	12.491
Clio 1.7 (exc. Italy)	91-	1240	7700.802.690	12.485
Clio 1.2 / Kangoo 1.2	98-	693/436	7700.416.622-7700.427.379	13.673
Clio 1.4-1.6	98-	938/475	7700.429.598	13.744
Clio 1.9 Ds	98-	1122/535	7700.429.400-7700.425.600	13.745
Megane 1.4	96-	1365/1000	7700.843.189	13.674
Megane 1.6 Coach-Scenic	96-	970/760	7700.843.190	13.675
Megane 2.0 Coach-Scenic	96-	995/790	7700.843.194	13.676
Megane Ds-Tds-Scenic	96-	1020/820	7700.843.197	13.677
Twingo	93-	1260/1020	7700.823.051	13.204
Twingo	95-	1275/1020	7700.847.796	14.446
Espace all	85-	960/690	6025.000.129	11.399
Espace all	85-	950/680	6025.002.330	11.605
Espace Diesel	84-	755/610	6025.002.332	11.400
Supercinque	82-	900/690	7701.349.422	10.782
Supercinque	83-	970/800	7704.001.782	10.783

ACCELERATOR CABLES

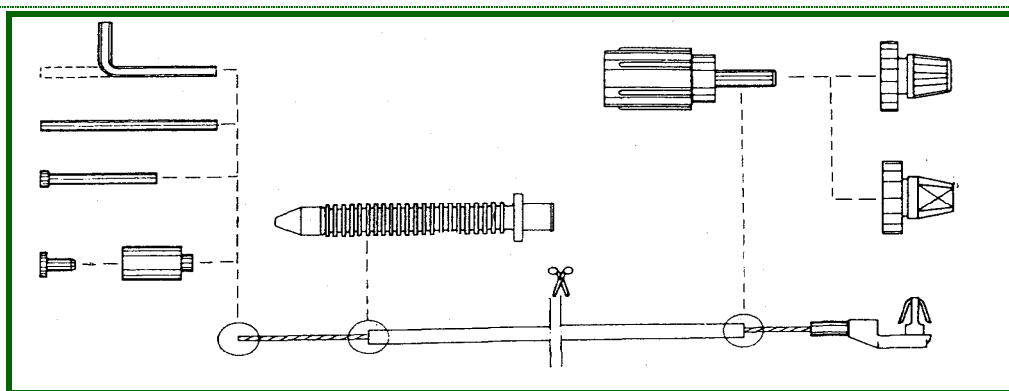
Comandi acceleratore a pedale Cables d'accelerateur Vergaserzuge

APPLICATION	YEAR	LENGTH	OEM/Compares with No.	OUR REF.
RENAULT				
Laguna 1.8	94-	1200	7700.824.077	13.216
Laguna 2.0	94-	500	7700.825.601	13.217
Laguna Tds	94-	1520	7700.824.071	13.218
Safrane RN-RT 2.0-2.2i	92-	1300/970	7700.813.928	13.220
Safrane RXE	92-	1240/975	7700.813.982	13.221
Safrane Ds 2.5	92-	1670/1440	7700.813.985	13.222
Safrane DT		1670/1450	7700.834.530	14.447
R4	-70	840/460	0855.675.800	10.773
R4-R4 Cargo	70-74	790/440	7701.348.066	10.774
R4 L-GTL-Cargo	75-	500/220	7701.348.381-7700.525.564	10.775
R4 GTL-Cargo F6	76-	920/510	7701.348.617-7700.625.845	10.776
R4 L-TL-Cargo F4	84-	1095/685	7700.755.025	10.777
R4 GTL-Cargo F6	84-	1010/550	7700.755.027-7701.349.814	10.778
R5 L-TL-GTL	75-	1010/670	7700.584.431-7701.348.134	10.780
R5 Alpine		820/550	7701.348.657	10.781
R6	76-	500/220	7700.525.564-7701.348.381	10.775
R9 all	-82	720/480	7704.001.509	10.787
R9 GTS-TSE	81-	515/390	7704.001.513	10.788
R9	82-	900/690	7701.349.422	10.782
R9 Diesel	83-	970/800	7704.001.782	10.783
R9 (Colombia-South America mod.)		1060	7700.763.232	13.206
R11	82-	900/690	7701.349.422	10.782
R11 Diesel	83-	970/800	7704.001.782	10.783
R12	-74	1010/725	7700.544.065-7701.348.072	10.790
R12	75-	890/710	7700.630.601-7700.637.536	10.791
R18 L-TL (1400 cc)	77-	730/480	7700.641.401	10.797
R18 GTS (1600 cc)	77-	645/460	7700.641.399	10.798
R18 GTS (1600 cc 5 speed)	82-	670/420	7700.688.117	11.993
R18 / Fuego		1390/1120	7701.348.894	10.796
R18 Diesel / Fuego Diesel-Turbodiesel	82-	900/720	7704.002.293	10.800
R19 TL-TS-TSE	88-	1370/1050	7700.789.191	11.601
R19 TXE	88-	1360/1135	7700.787.473	11.602
R19 Chamade GTX-TXE	9/90-	1220	7700.806.995	12.492
R19 16V	92-	760	7700.790.104	12.436
R19 TBD-TDX	91-	970	7700.812.042	12.437
R19 1.4i	92-	1290/940	7700.813.980	13.209
R19 1.7i	92-	750	7700.271.055	13.210
R19 1.8i	92-	1290	7700.815.820	13.211
R20 Diesel		1000	7700.701.436	13.212
R21 TL-TS-GTS-RS-TSI	86-	600	7700.765.884	11.603
R21 TXE-RX	86-	970/680	7700.765.885	11.604
R21		1330	7700.797.422	13.213
R25 GTS	84-	1200	7700.767.945	11.994
R25 Diesel	84-	945/800	7700.759.758	11.996
R25 V6	84-	1190/900	7700.759.761	13.215

ACCELERATOR CABLES

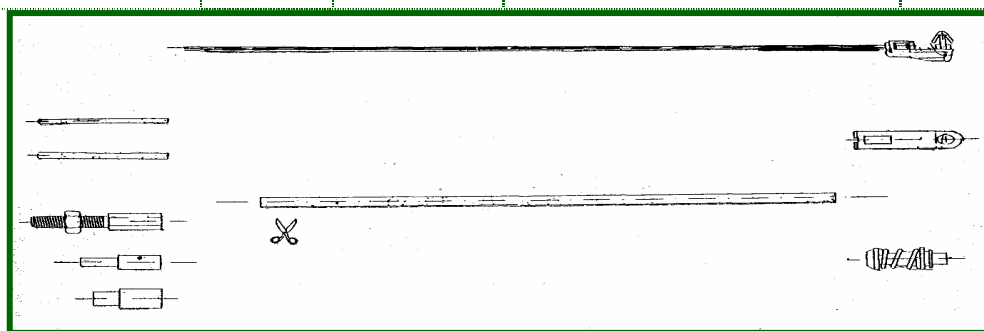
Comandi acceleratore a pedale Cables d'accelerateur Vergaserzuge

APPLICATION	YEAR	LENGTH	OEM/Compares with No.	OUR REF.
RENAULT				
KIT R12 / R14/ R15/ R17/ R20/ R30		1400/1010	7701.348.890	10.794
KIT R4 all	-84		7701.349.843	11.999
KIT R5/R9/R11/R18/R19/R21/R25			7701.349.815	11.998
KIT Clio -97/Twingo/R19/Safrane		1560/1310		13.855
KIT Clio 98-/Megane/Laguna		1560/1310		13.856

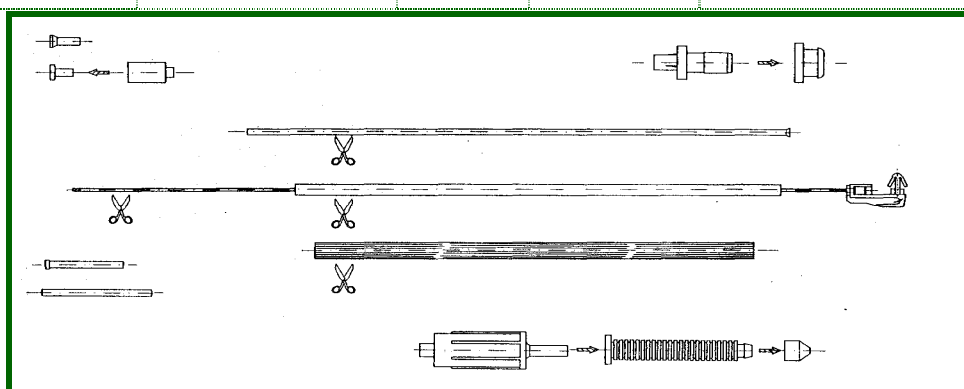


11.998

11.999



13.855



ACCELERATOR CABLES

Comandi acceleratore a pedale Cables d'accelerateur Vergaserzuge

APPLICATION	YEAR	LENGTH	OEM/Compares with No.	OUR REF.
13.856				

RENAULT Commercial vehicle

Kangoo 1.2	98-	696/436	7700.416.622-7700.429.379	13.673
Kangoo 1.4	98-	938/475	7700.416.623	13.744
Kangoo 1.9 D	98-	1122/535	7700.425.600-7700.429.400	13.745
Express	82-	900/690	7701.349.422	10.782
Express Benzina	85-91	1560/1305	7701.349.815	11.998
Express Diesel	83-	970/800	7704.001.782	10.783
Trafic (mot. 847)	81-	900/690	7701.349.422	10.782
Trafic Diesel (mot. 852-2068 cc)	81-	1340/1190	7704.002.206	11.401
Trafic Diesel (mot. SBU-2445 cc)	81-	970	7704.002.210	12.001
Trafic TR 2.1 Ds (mot. 829)	81-	1450/1250	7701.349.423-7701.388.321	12.002
Trafic P/AR Ds	7/85-	1560/1305	7701.349.815	11.998
Master TR 2.4-2.5 Diesel	86-3/89	1780	5000.394.950	12.494
Master TR 2.4-2.5 Diesel	4/89-	1770	7700.732.603	12.495
Master PR-AR Diesel	81-	1760	5000.387.500	11.607

RENAULT DACIA

Logan Bz	04-	950/680	8200.215.959-6001.546.868	14.740
----------	-----	---------	---------------------------	---------------

ROVER

Mini all		810/635	21A2445	10.693
Mini Cooper		800/470		10.694
Metro	81-85	740/550	FAM8697	10.717
Metro	85-	840/610	FAM8698-NAM2978	11.587

ACCELERATOR CABLES

Comandi acceleratore a pedale Cables d'accelerateur Vergaserzuge

APPLICATION	YEAR	LENGTH	OEM/Compares with No.	OUR REF.
ROVER				
Allegro 1.1-1.3	76-	850/685	FAM8981	10.716
Marina 1.3-Diesel		600/465	CHM49	12.310
Land Rover		500/320	598852	10.718
Range Rover	70-86	610/420	577356	12.311

SAAB

900	79-85	790/480	8335986	12.517
900i	79-85	760/485	8339996	12.518
99-900	75-	810/550	8315624	12.515

SKODA

Favorit		770/600	115.522.740	13.226
Favorit new model		775/600	115.522.747	13.678
Favorit / Felicia 1.3 MPI		1085/905	6U0.721.555A	13.915
Favorit / Felicia Monotronic		1115/890	6U0.721.555C	13.916
Felicia 1.6		665/455	6U0.721.555B	13.917
Felicia 1.9 Ds		1010/790	6U0.721.555	13.918
Favorit / Felicia (inner only)		1100	6U0.721.557D	13.435
105 / 110 / 120 (inner only)		4015	113.904.020	12.544
105 / 120 (inner only)		3250	630.522.740	13.227

SEAT

Ibiza 1.4i-1.6i / Cordoba	94-	1190/950	6N1.721.555A	13.228
Ibiza Ds / Cordoba Ds	93-	890/705	1H0.721.555B	12.666
Ibiza Ds / Cordoba Ds 1.9	95-	940/682	1H0.721.555G/Q	14.452
Ibiza / Malaga / Ronda 1.2		370/255	SE021110501C-X03949848	10.808
Ibiza / Malaga / Ronda 1.5		390/245	SE021110501A-X03946698	10.807
Ibiza / Malaga / Ronda Diesel		855/690	X039390870	11.611
Ibiza / Malaga / Ronda Diesel		875/560	X039528870	11.608
Ibiza / Malaga / Ronda Diesel		786	SE022110501A	14.450
Ibiza / Malaga Diesel	-92	865/695	X039613470	11.609
Ibiza / Malaga benz.	-92	895	X039546970	10.805
Ibiza Junior 903 cc		625/480	SE021110501B	11.610
Ibiza 1050-1.3 all	93-	1080/800	1H0.721.555	13.224
Ibiza 1.6-1.8	93-	760/565	1H0.721.555A/J	12.665
Ibiza 1.0	95-	635/373	6K0.721.555B	14.451

ACCELERATOR CABLES

Comandi acceleratore a pedale Cables d'accelerateur Vergaserzuge

APPLICATION	YEAR	LENGTH	OEM/Compares with No.	OUR REF.
SEAT				
Arosa 1.0 (mot. AHT)	-98	625/372	6N1.721.555A-6X1.721.555A	13.228
Arosa 1.0 (mot. AHW-AK)	98-	1602/1331	6N1.721.555N/P	14.448
Arosa 1.4	98-	608/335	6N1.721.555K	13.888
Toledo 1.6-1.8 (-ch 1LZZD309350)	91-	1070/865	171.721.555T	10.833
Toledo 1.6-1.8 (ch 1LZZD309350-)	91-	1170/900	1L0.721.555A	14.453
Toledo		725/510	1L0.721.555G	14.454
Toledo 1.9-TDS	91-	920/725	171.721.555L	10.834
Toledo 1.6	11/96-	770/565	3A1.721.555B	13.436
Marbella / Terra		795/645	X03960300	12.005
Marbella		790	SE141110501A-X039625440	12.527
Ritmo Diesel		880/790	X044319590	10.618
Ronda 1.2		1070/880	X039352490	10.806
Ronda 1.5		695/550	X044685180	10.612
124 D-LS		355/250	EA11008400	10.624
127 CL		475/365	HH11006201	10.605
127 Fura		950/820	X039350920	10.604
131 (1430 cc)		495/390	JA11050100	10.804
Commercial vehicle				
Terra Diesel		1160/1030	X039616670	12.528
SUBARU				
Justy 1.0-1.2		750/520	737065220	12.538
DL / GL 1.3-1.6	82-	930/700	737065250	12.540
SUZUKI				
Santana SJ410		1265	15910A80011	12.552
Santana SJ413		1000	15910A83010	12.553
Swift	90-	580	1591083300	14.455
Vitara 1.6 all			1591085C20/C30-1591061A10	14.457

ACCELERATOR CABLES

Comandi acceleratore a pedale Cables d'accelerateur Vergaserzuge

APPLICATION	YEAR	LENGTH	OEM/Compares with No.	OUR REF.
TALBOT				
Horizon LS-GL-EX (single carb.)		1310/1045	0017082100-001389730	10.816
Horizon GLS-EX-SX	82-	1440/1240	0013897400	10.818
Horizon Diesel	83-	1170/975	9750110480	10.821
Solara GL (single carb.)-GLS-LS	7/82-	1310/1045	0017082100-001389730	10.816
Solara GLS-SX	7/81-	1400/1195	0055505000	10.820
1307 LS-GLS	74-78	1310/1045	0017082100-001389730	10.816
1307 S	76-	1345/1150	0013896900	10.817
1307 GLS / 1308	79-	1440/1240	0013897400	10.818
1510 GLS	82-	1400/1195	0055505000	10.820
1510 LS / 1515 LS-GLS	77-	1310/1045	0017082100-001389730	10.816
Samba (inner cable only)		1620	7903073101	10.811
Samba (kit)	-83	1365/1645	1630.68	10.749
Samba	84-	1714	1629.86	10.575
1100/1307-8/1510-Horizon-Solara		1620/1200		13.437

TOYOTA

Avensis 2.0i 16v		1755/1500	7818005200	14.767
Aygo 1.0 all	05-	1330/1135	781800H010	14.781
Yaris 1.0i 16v		1655/1400	7818042060-7818052050	14.768
Yaris 1.0	05-	1285/110	781800D010	14.780
Yaris 1.3	15-	1330/1145	781800D040	14.793

VOLKSWAGEN

Lupo 1.0-1.6	95-	1602/1331	6N1.721.555P	14.458
Lupo 1.0	99-	608/335	6N1.721.555K	13.888
Polo / Derby	74-	490/300	861.721.555	10.826
Polo / Derby	79-	530/350	861.721.555F	11.402
Polo all	94-	1150/950	6N1.721.555A	13.228
Polo 1.1-1.3	96-	1190/960	6N1.721.555L	13.680
Polo 1.4-1.6 all	96-	608/335	6N1.721.555K	13.888
Polo Diesel	96-	1020/815	6N1.721.555H	13.681
New Beetle	98-	1740/1460	1J1.721.555K/Q	13.886
Sharan 1.8/2.0	97-	1115/905	7M1.721.555E	14.463
Sharan 2.0i	97-	755/565	7M1.721.555/555M	13.442

ACCELERATOR CABLES

Comandi acceleratore a pedale Cables d'accelerateur Vergaserzuge

APPLICATION	YEAR	LENGTH	OEM/Compares with No.	OUR REF.
VOLKSWAGEN Commercial vehicle				
Transporter 1.6	-10/68	3360	211.721.555D	14.466
Transporter 1.6/1.7	-7/72	3670	211.721.555J	13.881
Transporter 1.6	72-	3685	211.721.555L/P/R	10.841
Transporter 1.6	74-	3435	211.721.555N	10.842
Transporter 1.6	76-	3655	211.721.555T	10.844
Transporter 1.7 injec.	75-	3470	211.721.555S/AA	10.843
Transporter 1.6-2.0	80-	3560	251.721.555	10.845
Transporter 2.0	-82	3805	251.721.555B	11.615
Transporter 2.0	82-	3975	251.721.555G	11.616
Transporter 2.0	83-	3720	251.721.555P/R	13.685
Transporter 2.0	84-	3610/920	251.721.555Q	12.011
Transporter 2.0	90-	1125/875	701.721.555J	13.233
Transporter Diesel	80-	3980/1340	251.721.555C	11.617
Transporter Diesel	82-	1345/1290	251.721.555K	11.618
Transporter	-90	3970/1320	251.721.555S	13.887
Transporter Diesel-1.9 Tdi	90-	1230/1000	701.721.555K/A	13.234
Transporter 2.4 Ds	90-	1700/1460	701.721.555L/D	13.235
Transporter	90-	1205/910	701.721.555H	13.884
Transporter	90-	960/660	701.721.555G	13.885
LT 31 Diesel (mot. Perkins)	76-	880	281.721.555B	11.619
LT Diesel 6 cyl.	79-	1270/860	281.721.555K	11.620

VOLVO

160 all	73-75	660/430	1221662	12.680
240 B21A-19A	76-79	950/770	12289510	12.682
240 B21A-19A	79-85	1110/940	1227507	12.683
240 B19-21-23E-F	75-79	950/670	1229439	12.684
240 B19-21-23E-F	80-	650/390	1272897	12.685
260 B27	75-81	700/500	12290268	12.686

ZASTAVA

Jugo 45		445/310	4427794	12.012
Jugo Florida / Miami	89-	600/455	46622749	12.013
101		1140/930		10.611

CHOKE CABLES

Comandi aria al carburatore Tirettes de starter Starterzuge

APPLICATION	YEAR	LENGTH	OEM/COMPARES WITH No.	OUR REF.
-------------	------	--------	-----------------------	----------

ALFA ROMEO

Alfasud all / 33 all		1620/1200	531730-531733-542774	10.846

CITROEN

AX -ch3856	86-	1570/1500	95613456	11.786
Axel	85-	1530/1400	95493245	11.787
BX 14	83-	1770/1620	95495357	11.788
BX 16	83-	1190/1050	95597849	11.789
2CV / Dyane / Mehari / Ami 6-8	76-	1580	5459284-5470139-5470931	10.852
LN		1200/1090	5490886	10.853
GS	-73	1255/1170	GX54119601A	10.854

FIAT

Cinquecento 700 cc Cat.	93-	1510	1824752780	12.184
Panda all	80-	1380/1150	4406531-4467961-7609324	10.861
Panda all	92-		7699920	12.185
Uno 45	83-	1270/1170	5954247	10.871
Uno all (with electric cont.)	83-	1280/1170	5954276	10.872
Uno CS / Duna	87-	1290/1170	181036570/580	11.622
Uno	89-	1149/1042	182179480	12.186
Uno (with electric cont.)	89-	1108/976	182179580	12.187
Tipo 1.1	88-	1200/900	181211280	11.623
Tipo 1.4-1.6	88-	1190/1050	181304280	11.624
Tempra 1.4-1.6	90-	1170/970	181721280-182333580	10.855
Ritmo all	-9/82	1700/1330	4406453-4436802-4449977	10.867
Ritmo / Regata all (with elec. cont.)	10/82-	1410/1335	5963586	10.869
126		1835/1460	4230244/245	10.858
126 Bis	87-	1930/1790	7558587/88	11.621
127 all	-5/77	1320/1130	4254544-4275259	10.861
127 CL-Sport	6/77-	1010/945	4380848-4418455	10.863
127 all / Fura	82-	1030/940	5954768-5936040	10.864
127 / 147 Brasil			4349177	
128 all	82-	1380/1150	4218530-4273441-4275286	10.861

CHOKE CABLES

Comandi aria al carburatore Tiresse de starter Starterzuge

APPLICATION	YEAR	LENGTH	OEM/COMPARES WITH No.	OUR REF.
-------------	------	--------	-----------------------	----------

PEUGEOT

104		1295/1170	1661.86	10.894
104 / 204 / 304 / 404 / 504		1325/1220	1661.65/71	10.893
305	-83	1370/1270	1661.84	10.895
305	83-	1560	1660.35	11.791
309 1.1-1.3 (mot. E1A)	85-	1170/1060	1660.26	11.792
309 1.6 (mot. XU51C)	85-	1010/920	1660.25	11.793

POLSKI

126 Bis	87-	1930/1790	7558587/88	11.621
125 P		960/600	4070428	10.875
Polonez 1.3-1.5		1380/1150	4384840	10.861

RENAULT

Clio	90-	1700	7700.803.223	13.719
Supercinque / Express	84-	1795	7700.766.035	11.628
R19 TS-GTS-TSE		1900	7700.793.639	13.720
R5/R9/R11/R14/R18 (with electric cont.)	79-	1660	7701.365.520-7704.000.093	10.900
R5	-79	1420	7700.548.173	10.898
R4 / R6	-79	845/730	7700.500.708-7700.526.998 7701.346.519	10.897

SEAT

Ibiza		1395	X039519800	10.887
Marbella / Panda / 127 / 124		1380/1150	HB11010202	10.861
127 C-CL		1010/945	HH11010202	10.863
133		1960/1570	EA1101100	10.860

BONNET CABLES

Comandi apertura cofano Cbles du capote Haubenzuge

APPLICATION	YEAR	LENGTH	OEM/COMPARES WITH No.	OUR REF.
-------------	------	--------	-----------------------	----------

ALFA ROMEO

33 all		1125	60504313	13.727
Alfasud (bag. post.- rear boot)		2850/2400	510105	10.919
Alfasud (interno-inner)		1250	518056	14.591
Giulia all		1560/1310	10548.56020.01	10.917
1750 / 2000		1550	10548.56020.00	10.918
1750 / 2000		1550/1250	10548.56020.06	12.080
2000 Spyder (bag. post.-rear boot)		3100/2900	10595.56035.01	13.725
2000 Spyder (bag. post.-rear boot)	71-	2248/2048	10595.56035.00	14.592
2000 Spyder (sport. benz.)		1860/1680	60520126	13.724

AUDI

80		2270/1460	811.823.531	12.037

BMW

Series 3 / 5 all (inner cable only)		1490	5123.1817.624-5123.1827.318	12.099
Series 3 / 5 all (no lever)			5123.1960.853	14.468

CITROEN

AX		1480/1310	95631877	11.631
BX		1845/1425	95496410-95568309	11.633
Visa		1600	95611132	11.632

FIAT

Idea	03-		46844599	14.471
Stilo			46833732-46803412	13.453
Punto all	11/93-	1500	7736069	12.192
Punto all (bag. post. – rear boot)	11/93-	2580	7734573	12.193
Cinquecento (bag. post. – rear boot)	92-	2290/2130	7692023	12.191

BONNET CABLES

Comandi apertura cofano Cbles du capote Haubenzuge

APPLICATION	YEAR	LENGTH	OEM/COMPARES WITH No.	OUR REF.
FIAT				
Palio 1.3-1.6	97-	1575/1380	46455996	13.728
Palio all (bag. post. – rear boot)	97-	2761/2662	46432588	14.469
Panda	-81	1550/1430	4404120/21	10.924
Panda	81-	1550/1370	4484785	10.925
Panda 750/1000	-89	1600/1385	5967166	10.929
Uno all	-89	1600/1385	5967166	10.929
Uno all (bag. post. – rear boot)	-89	2785/2675	5967167	10.930
Uno R89 (bag. post. – rear boot)	89-	2425/2250	7637710-7710408	12.014
Tipo / Tempra	88-	1495/1360	7602979-7663094	11.635
Croma all	86-	2360/1550	82415297	11.637
Ritmo / Regata		1850/1685	4380817/18	10.928
Duna / Uno CS	87-	1600/1370	5973151	11.638
Duna Weekend (bag. post. – rear boot)	87-	2760/2680	7544076	11.636
126		1210/615	4313078	10.922
126 Bis	87-	340/220	7543700/01	11.634
127 all / 127 Brasil / 147		1250/740	4237699/700-4405267	10.926
128 all		1500/755	4193933-4265207	10.927
131 all		1810/830	4340126/128-4352898	10.934
500 D-Giardiniera		1370/950	970131- 985992	10.920
500 F-L-R		1560/950	4109112-4170429	10.921
600 D		1250/940	4108491/92	12.190
X 1/9		540/450	4245868	12.015
X 1/9 (cofano mot.)		1430/1180	4246012	12.017
X 1/9 (post.-rear)		1820/1700	4246009	12.018
X 1/9 5 speed		910/725	4403334	12.016
124 all / 132 all		1150/780	4135975-4274553/54	10.931
125 all		950/810	4157458	10.932
1300 / 1500		2270/1810	4061949	10.933
850 all		1490/580	4106392	10.923
KIT COMPLETO STANDARD 500/126/ 600D/850/127/Panda/128/Ritmo/Regata/ 124/131/132/Ducato				13.452
500 / 126 / 850 / 127 / 128 / 124 / 131 132 / Panda / Ritmo (unif. inner cable)				10.936
Panda (interno-inner cable only)	82-	1500	4484785	12.189
Ritmo/Regata/Ducato/Daily/Panda (-81)				14.470

BONNET CABLES

Comandi apertura cofano Cbles du capote Haubenzuge

APPLICATION	YEAR	LENGTH	OEM/COMPARES WITH No.	OUR REF.
FIAT Commercial vehicle				
Fiorino	88-	1600/1370	5973151	11.638
Fiorino (porta post.-rear door)			7519178	13.237
Ducato		1890/1380	4401246/47	12.188

INNOCENTI

Mini 90-120 (porta post.-rear door)		2505/2345	53471006	12.021
-------------------------------------	--	-----------	----------	--------

LADA

1200 / 1300 / 1500		1140/780	2101.8406142	10.931
--------------------	--	----------	--------------	--------

LANCIA-AUTOBIANCHI

Y10	85-	1570/1395	5979003/04	10.939
Y all	96-	1490/1330	46417288	13.729
Nuova Y				13.453
Thema	86-	2415/1575	82415203-82450563	11.639
Dedra / Kappa	90-		82483355	14.688
Prisma		550/400	82393341	11.827
A112	-77	1520/715	4204667/68	10.937
A112	78-	780/530	4482342-4482419	10.938

MERCEDES

200	70-	1850/1770	115.880.0059/.0159	11.795
220 / 280		1950/1870	123.880.0158/.0159	11.797

OPEL

Corsa A	-92		1178447-90119337	13.455
Corsa B	93-		1178462-90482081	14.474
Astra/Vectra/Ascona/Kadett		1653/1577	1178451-90159584	14.475

BONNET CABLES

Comandi apertura cofano Cbles du capote Haubenzuge

APPLICATION	YEAR	LENGTH	OEM/COMPARES WITH No.	OUR REF.
-------------	------	--------	-----------------------	----------

PEUGEOT

205		1720/1570	7937.65	11.640
309		1675/1500	7937.75	11.641
405		460/380	7937.80	11.642
405	93-	1350	7937.93/97	14.477
104 / 204 / 304 / 404 / 504 / 604		1660/1410	7937.16	10.020

POLSKI

126		1250/600	4313078/79	10.922
126 Bis		340/220	7543700/701	11.634
125 P		2270/1810	4061649	10.933

RENAULT

R5 all		870/805	7701.348.950	11.643
R18 all / Fuego		1780	7701.348.670	13.730

SEAT

Ibiza		1440/1150	SR138559630A	11.798
Marbella		1930/1670	SE141559630A/640A	12.286
Ritmo / Ronda / Malaga		1850/1685	RF13032702	10.928
Panda		1430/1370	X04404120	10.925
124		1140/780	FA55922800	10.931
127		1150/740	HB55964000	10.926

SUZUKI

SJ 410-413	87-		82160.80010	13.459

TALBOT

Samba		1660/1410	7937.16	10.932
-------	--	-----------	---------	--------

STARTER CONTROL CABLES

Comandi motorino avviamento Cables pour demarreur

APPLICATION	YEAR	LENGTH	OEM/Compares with No.	OUR REF.
FIAT				
500 D		1160	4082456-4102883	10.944
500 F-L	-72	1150	4111483-4117460	10.945
500 L	72-	1150	4112474-4212571	10.946
500 R / 126	73-	1230	4297135	10.947
500 D Giardiniera		1310	4065010-4102884	10.948
500 F Giardiniera	-72	1320	4124929	10.949
500 F-L Giardiniera	73-	1310	4231737	10.950

AUTOMATIC GEAR CABLES

Comandi cambio automatico Cables pour boite de vitesse automatique

APPLICATION	YEAR	LENGTH	OEM/Compares with No.	OUR REF.
FIAT				
131 / Brava		1030	4343694	10.954
132 GLS		1180	4336833	10.956

HAND ACCELERATOR CABLES

Comandi acceleratore a mano Cables de accelerateur a main Vergaserzuge

APPLICATION	YEAR	LENGTH	OEM/Compares with No.	OUR REF.
FIAT				
Tipo Ds-TurboDs			181468780	10.967
126		800/650	4365816	10.958
Commercial vehicle				
Ducato Ds	88-	825/675	7537527	11.826

SPEEDOMETER CABLES

Trasmissioni contachilometri Transmission de compteurs Tachometerseil

APPLICATION	YEAR	LENGTH	OEM/Compares with No.	End fitt.	OUR REF.
ALFA ROMEO					
Alfasud all	-82	1652	510635/36-60744144	A+C	11.026
Alfasud all	83-	1660	537421	A+C	11.028
Arna		1459	547353	F+C	11.403
Giulietta 1.3-1.6-1.8		2915	11650.64500.01-11655.64500.00	E+D	11.030
Alfetta 1.6-1.8	-83	2940	11608.64500.01	A+D	11.034
Alfetta 1.6-1.8-2.0	83-	2915	11642.64500.10-11655.64500.00	E+D	11.030
Alfetta GT-GTV		2960	11610.64500.51 60726496-60727043	E+D	11.040
Giulia 1.3-1.6-1750		1789	10500.64500.26	A+B	11.016
Giulia Ti-1750		1810	10500.64500.27	A+B	11.018
Giulia 1.6		1744	10514.64500.00	A+B	11.020
Giulia Super-1750 Spyder-2000		1882	10500.64500.00/.030	A+B	11.022
Giulia GT-Junior-1750 GTV		1887	10500.64500.28	A+B	11.024
2000 GTV Coupè-Spyder		1998	10500.64500.06-60710520	A+B	11.828
2000 Spyder	91-	805	60554799	B1+B1	12.720
2000 USA model	77-81	1940	11533.64500.01-60713330	A+B	12.721
2000 USA model I. cambio-gear side		1197	11544.64502.00-60723086	A+B	12.723
2000 USA mod. strum.-instrument side		975	11544.64500.00-60723085	A+M	12.724
Rev meter / Contagiri					
Giulietta / Alfetta		1404	11600.64501.01	A+B	11.052
Alfetta		1315	11608.64501.02/.03	A+B	11.056
Alfetta GT-GTV		1310	11610.64501.27	E+B	11.060
Giulia		1268	10500.64501.27	A+B	11.042
Giulia Super-1750 GTV/Spyder		1325	10500.64501.29	A+B	11.044
Giulia 1.6-GT-1750 GTV-Spyder		1410	10500.64501.28	A+B	11.046
2000 GTV-Spyder		1509	10512.64501.26-60722070	A+B	11.050
ARO					
Trasmissione CKM		1850		G+N	13.686
AUDI					
80 all	74-	1250	823.957.801	M+S	11.646
80 / 90 all	82-	1260	811.957.801K	T+S	11.404
90 cambio autom.		1310	443.957.801L	T+S	12.725

SPEEDOMETER CABLES

Trasmissioni contachilometri Transmission de compteurs Tachometerseil

APPLICATION	YEAR	LENGTH	OEM/Compares with No.	End fitt.	OUR REF.
AUDI					
100 all	77-	1430	433.957.801F	M+S	10.975
100 all	84-	1410	443.957.801K	T+S	11.647
50	74-	1030	861.957.801	M+M	11.645

BMW

Series 3 5 speed	78-83	1790	1373071	M+V	11.063
315-316-320-320i	75-77	1530	6221.1358674-6221.1360283	M+V	11.036
315-316-320-320i	78-	1645	6221.1365371	M+V	11.062
318a-320a	78-	1760	6221.1365372	M+V	11.037
320-323i 6 cyl.	-77	1705	6221.1365373	M+V	11.054
320-323i 6 cyl.	78-	1820	6221.1365374	M+V	11.055
518 lato cambio-gear side	80-82	1105	1368141	M+V	11.065
518-520-520i		1330	6221.1355836/1357768	M+V	13.687
520 lato cambio-gear side		1165	1368142	M+V	11.066
520-525-528 6 cyl.		1468	6221.1355837	M+V	11.058

CITROEN

ZX all (-ch.5347) strum.-instrument side		550	96074005-5490132-75513020-75491950	J+H	11.073
ZX benz.-Diesel (ch.5348-)	91-	590	96147546-96002885-96047055	J+H	12.131
ZX benz. all lato cambio-gear side	91-	423	96128130	G+Y	11.219
ZX Diesel all lato cambio-gear side	93-	592	96142943	G+Y1	11.061
Xantia	93-	910	96163009	J3+Y	13.691
XM (-ch.4834) strum.-instrument side		495	96041751-95630473-96144885	J+H	11.406
XM (ch.4835-) strum.-instrument side		480	96102827	J+G	13.690
XM all lato cambio-gear side		485	95566607-96073325	G+Y	11.079
AX all lato strumento-instrument side	-86	550	5490132-75513020-75491950	J+H	11.073
AX all lato strumento-instrument side	86-5/91	495	95630473-96041751-96144885	J+H	11.406
AX all lato strumento-instrument side	6/91-	310	96139395-96090652	J+H	12.126
AX all lato strumento-instrument side	-5/91	300	95630472-96089902	G+Y	11.407
AX all lato strumento-instrument side	6/91-	620	96073712	G+Y1	12.127
BX all lato strumento-instrument side	82-	550	5490132-75513020-75491950 96074005	J+H	11.073
BX 14 lato cambio-gear side	82-	570	95583772	G+L1	11.078
BX 16-19 lato cambio-gear side	-86	460	95494967-95496541	G+Y	11.049
BX all lato strumento-instrument side	86-	620	95638113	J+H	11.411
BX 14-16-19 -ch.4724 l.cam.-gear side		486	95566607	G+Y	11.079
BX 14-16-19 ch.4725- l.cam.-gear side		300	95630472-96089902	G+Y	11.407
BX 16 Sport lato cambio-gear side	86-	515	95496555	G+Y	13.689

SPEEDOMETER CABLES

Trasmissioni contachilometri Transmission de compteurs Tachometerseil

APPLICATION	YEAR	LENGTH	OEM/Compares with No.	End fitt.	OUR REF.
CITROEN					
CX 4 speed lato strum.-instrument side		550	5490132-75513020-75491950 96074005	J+H	11.073
CX 4 speed lato cambio-gear side		690	95494965	G+K	11.069
CX 5 speed lato strum.-instrument side		270	5491143-95492738	J+H	11.053
CX 5 speed lato cambio-gear side		970	75491627	G+K	11.051
Axel lato strumento-instrument side	84-	485	95493937	J+H	11.408
Axel lato cambio-gear side	84-	550	95493938	G+K	11.409
Visa all lato strumento-instrument side	78-	550	5490132-75513020-75491950 96074005	J+H	11.073
Visa 652 cc lato cambio-gear side	-2/80	790	5493282	G+K	12.125
Visa 652 cc lato cambio-gear side	3/80-	875	75531334	G+K	11.410
Visa 1124 cc lato cambio-gear side	-6/80	1050	75527125-95494991	G+K	12.129
Visa 1124 cc lato cambio-gear side	6/80-	950	95496500-95592655	G+L1	11.075
Visa GTI-Diesel lato cambio-gear side		620	95496646	G+Y	12.128
Visa Special lato cambio-gear side	-2/80	800	5491160-95493346	G+K	11.071
LN-LNA lato strumento-instrument side		230	5491577	G+H	11.072
LN-LNA lato cambio-gear side		800	5491160-95493346	G+K	11.071
LN-LNA 652 cc		1050	95494991-95493211	G+K	12.129
LN-LNA 1124 cc	83-	950	95496500-95592655	G+L1	11.075
2CV all	-79	900	95495507	G+K	11.422
2CV / Mehari	79-	765	AK5213B-5444200	G+K	11.168
Mehari 4X4 lato strum.-instrument side		230	5491577-6122.35	G+H	11.072
Mehari 4X4 lato cambio-gear side	78-	800	5469160-75491951	G+K	11.071
Dyane / Acadyane	68-	690	AY5213C-95494965	G+K	11.069
GS-GSA 4 speed	75-	1040	5491172 -95493148	J+K	11.076
GSA 5 speed		950	95493031	J+K	11.047
Ami 6-8	63-	690	AY5213C-95494965	G+K	11.069
Commercial vehicle					
C15 lato strumento-instrument side		550	5490132-75513020-75491950	J+H	11.073
C15 benz. 1.1/1.3 -ch.4273		450	95566607	G+Y	11.079
C15 benz. lato cambio-gear side		940	95496500-95592655	G+L1	11.075
C15 benz. -ch7833 l. cambio-gear side		300	96089902	G+Y	11.407
C15 Diesel		620	95496646	G+Y	12.128
C32-C35 lato strum.-instrument side	-10/83	1865	5444201	G+H	11.169
C32-C35 lato strum.-instrument side	10/83-	1895	5595611	J+H	11.423
C32-C35 lato cambio-gear side	-10/83	760	5444200	G+K	11.168
C32-C35 lato cambio-gear side	10/83-	910	95495507	G+K	11.422
Evasion / Jumpy	-2/95	1137	6123.H0/L1	Y1+J4	13.696
Jumper benz.	-2/95	1513	6123.G6/K6	E+O	13.253
Jumper benz. 18	2/95-	1402	6123.K3	E+O	13.460
Jumper DS-TDS		1530	6123.K2/G8	E+Y	13.255
Jumper DS-TDS	2/95-	1420	6123.K7	E+Y	13.256

SPEEDOMETER CABLES

Trasmissioni contachilometri Transmission de compteurs Tachometerseil

APPLICATION	YEAR	LENGTH	OEM/Compares with No.	End fitt.	OUR REF.
FIAT					
Punto 55-60-75- 6 speed	11/93-	1115	7739414-46424537-464624537	A3+D2	12.750
Cinquecento 700 cc		1007	46463753-46404776	E+M1	13.247
Cinquecento 700 cc l. cam.-gear side	92-	400	7698246	E+M1	11.074
Cinquecento 700 cc instrument side	92-	520	7698249	A+I	11.077
Cinquecento 900 cc l. cam.-gear side	92-	600	7698252-7798137	E+M1	12.031
Cinquecento 900 cc instrument side	92-	390	7698255-7791441	A+I	12.032
Cinquecento Sporting	95-	1010	46411963-46463755	E+A5	13.245
Seicento 1108	98-	1120R	46511572	E+A3	13.929
Seicento 900 Spi	98-	1100R	46511571	E+M1	13.930
Seicento 900 lato cambio-gear side	98-	460	46513095	M+M1	13.932
Seicento 900 l. strum.-instrument side	98-	1320	46513096	E+M1	13.931
Ulysse / Scudo	95-	1135	9618182680-6123.H0/L1	Y+J4	13.696
Panda 30		1385	4413858/59	E+M	11.094
Panda 30 (II serie)		1165	4413851	E+M	11.096
Panda 30 (II serie)		1127	5933292	E+M	11.648
Panda 45-750-1000-4X4-D-Young		900	4413859-7635491	E+M	11.098
Panda Restyling	90-	920	46444815	E+M1	13.248
Palio / Siena	97-	900	46401201	E+A4	13.249
Premio		1110	7521023	E+M	11.412
Uno all	-87	930	5934788-7640904	E+M	11.148
Uno all	88-	890	7613810	E+M	11.650
Uno Diesel-Turbodiesel	89-	930	7674244	E+M	11.148
Uno Turbo IE	-89	1030	7556232 -7635497-7682313	E+M	11.150
Uno R89 900-1000		930	7736875	E+M1	12.202
Uno R89 1.3-1.5 cat.		890	7736874-7635494	E+M1	12.201
Uno CS	87-	1100	7587072-7656640-7706788	E+M	11.412
Uno CS	88-91	1100	7765605-50004846	E+M1	13.698
Uno	93-	1090	7761531	E+A5	13.244
Uno all 1100-1108 cc	9/93-	1030	7785023	E+A3	13.461
Duna	87-	1100	7587072	E+M	11.412
Duna	86-90	1100	7765605-50004846	E+M1	13.698
Duna	90-	1105	7657568	E+M1	13.250
Tipo mod.base strum.-instrument side	88-	469	7601995	E+P	11.418
Tipo mod.base lato cambio-gear side	88-	446	7602006-7648188	E+M	11.420
Tipo / Tempra (modif.)	88-91	1010	7601995-7602006-7648188	E+M	13.695
Tipo / Tempra	92-	972	7726207	E+M1	11.810
Tempra 1.4-1.6-1.8-Diesel	90-91	446	7648188	E+M	11.420
Croma all		1290	82382699	E+M	11.152
Croma all	87-	1250	82428992	E+M	11.658
Ritmo		1270	4383351-5981382	E+M	11.142
Ritmo / Regata (automatic gear)		1390	4428922	E+M	11.144
Ritmo Tds / Regata		1110	5981987	E+M	11.146
Regata Diesel-Turbodiesel		1370	7578136	E+M	11.416

SPEEDOMETER CABLES

Trasmissioni contachilometri Transmission de compteurs Tachometerseil

APPLICATION	YEAR	LENGTH	OEM/Compares with No.	End fitt.	OUR REF.
FIAT					
126		2480	4310089-4321867	A+M	11.088
126 Bis	85-	2515	7536340	A+M	11.414
127 all		752	4243289-4345582	A+M	13.693
127 900 cc	-82	752	4406336	E+M	11.102
127 1050 cc	-82	810	4379747	E+M	11.104
127 900-1050 cc	82-	710	5939198	E+M	11.108
127 Diesel / 147 Brasil		875	4349763	M+M	11.110
131 all		1680	4338097-5983717	E+M	11.132
131 (automatic gear)		1770	4338219-5980997	E+M	11.134
132 all 4 speed		1490	4290057-4324438	A+M	11.136
132 all 5 speed		1400	4290062 -4326282	A+M	11.138
132 Diesel / Argenta		1490	4388154-5980868	E+M	11.140
500 F-L		2575	4134526-4206651	A+M	11.080
500 D-Giardiniera		2850	4095747-4096541	A+M	11.082
500 F-Giardiniera		2675	4122850	A+M	11.084
500 R		2480	4310089	A+M	11.088
600 D-E		2440	4065741-4094607	A+M	11.086
128		902	4206815	A+M	11.112
128 Rally-Sport- Special-3P		1037	4264558-4327531-4344131	A+M	11.114
128 C-CL		1082	4370256	E+M	11.118
124		1090	4135444	A+M	11.122
124 S-ST		1130	4155481-4215400	A+M	11.124
124 Spyder	-75	1240	4181687	A+M	11.128
124 Spyder	76-	1240	4399453	E+M	12.204
124 Spyder Europa	82-	1650	4419098	E+M	13.697
125		1130	4155481	A+M	11.124
850 (II serie)	67-	2455	4136084	A+N	11.092
1100 D-R / 1300 / 1500		1037	4039718	A+M	11.114
X 1/9		3300	4266710-4397278	A+M	11.652
X 1/9		3660	4299074	A+M	12.033
X 1/9 5 speed		3200	5920908	E+M	12.034
FIAT Commercial vehicle					
Ducato	-88	1231	5950294-7567798	E+Q	11.170
Ducato Ds-Tds / Talento		1227	7617383	E+Q1	13.694
Ducato all	91-	1349	7745213-7666874-6123.C7	E+Q1	12.205
Ducato (gear ME)	94-	1510	1315805080-1306982080	E+O	13.253
Ducato (gear MG)	94-	1410	1315807080-6123.K3	E+O	13.254

SPEEDOMETER CABLES

Trasmissioni contachilometri Transmission de compteurs Tachometerseil

APPLICATION	YEAR	LENGTH	OEM/Compares with No.	End fitt.	OUR REF.
FIAT Commercial vehicle					
Ducato (gear ME)	94-	1515	1315809080-6123.K2/G8	E+Y	13.255
Ducato (gear MG)	94-	1410	1315808080-1307439080-6123.K7	E+Y	13.256
Ducato	7/93-	1350	7780909-6123.G4	E+O	14.497
Fiorino 900 cc	-82	752	4406336	E+M	11.102
Fiorino 1050 cc	-82	810	4379747	E+M	11.104
Fiorino	-87	892	7506964	M+M	12.035
Fiorino	88-	1100	7587072	E+M	11.412
Fiorino	90-	1105	7657568	E+M1	13.250
Fiorino 1.7 Benz.	96-	1100	7765605-50004846	E+M1	13.698
Fiorino 1.7 Tds	96-	1160	50009893	E+M1	14.496
Daily / Grinta 30-32		2185	93803625/26	A+O	11.424
Daily / Grinta 35		3050	93802485	E1+O	14.498
Daily / Grinta 40		3300	93803627	A+O	13.478
Daily	85-	1810	4778898	A+O	13.479
Scudo	95-	1135	9618182680-6123.H0/L1	Y+J4	13.696
242 lato cambio-gear side		763	5444200	G+K	11.168
242 lato cambio-gear side	79-	920	95495507	G+K	11.422
242 lato strumento-instrument side	-83	1865	5514465	G+H	11.169
242 lato strumento-instrument side	83-	1890	5595611	J+H	11.423
600 T		3160	4066176	A+M	11.154
850 T / 900 T		3334	4242257	A+N	11.156
900 E		3334	4450401	E+N	11.158
FIAT Inner cables -Flessibili interni					
Cinquecento 700 cc l.camb.-gear side		340			13.731
Cinquecento 700 cc instrument side		520			13.732
Cinquecento 900 cc l.camb.-gear side		600			13.733
Cinquecento 900 cc instrument side		390			13.734
Panda 30		1385			11.095
Panda 30 (II serie)		1165			11.097
Panda 30		1127			11.649
Panda 45-750-1000		900			11.099
Uno all		890			11.651
Uno CS / Duna		1100			11.413
Uno 1.5 -Turbo IE		1030			11.151
Tipo (mod.base) instrument side		469			11.419
Tipo (mod.base) lato cambio-gear side		446			11.421
Tipo	91-	972			12.206
Ritmo all		1272			11.143
Ritmo TurboD / Regata all		1110			11.147
Regata Diesel-Turbodiesel		1370			11.417
126 Personal (nott. nylon)		2480			11.091
126 Bis		2515			11.415
500 F-L		2575			11.081
500 R / 850/126		2480			11.089
Fiorino		1100			11.413

SPEEDOMETER CABLES

Trasmissioni contachilometri Transmission de compteurs Tachometerseil

APPLICATION	YEAR	LENGTH	OEM/Compares with No.	End fitt.	OUR REF.
FORD					
Fiesta	-83	870	6059131-6038841	R+M	11.171
Fiesta	84-	995	6135499	R+M	11.173
Fiesta (without sensor)	89-	850	6163213	R+M	11.813
Fiesta (with sensor)	89-	790	6163214	R+M	11.812
Escort	-78	1855	1426438-1547027	R+C2	11.174
Escort	78-	1995	6060509	R+C2	11.176
Escort / Orion	80-	1004	1591745	R+M	11.177
Escort / Orion	86-	850	6159444	R+M	11.813
Escort / Orion (computer)	86-	790	6159446	R+M	11.812
Escort / Orion instrument side	86-	502	1643275	R+M	12.261
Escort all	90-	1195	6483328	R+M	12.036
Sierra 4 speed	83-	2623	6115152	R+C2	11.178
Sierra 5 speed	83-	2756	6115156	R+C2	11.179
Sierra 5 speed	87-	2940	6151472	R+C2	13.257
Sierra	87-	2805	6151483	R+C2	11.654
Taurus		1785	1476152	R+C2	11.172
Taurus / Granada (78-)	73-	2100	1547024-6011881	R+C2	11.175
Capri		2310	1444627	R+C2	11.180
Capri (II serie)		2465	6011872	R+C2	11.181
Commercial vehicle					
Transit	-78	2210	1467629-1492135	R+C3	11.182
Transit	79-	2555	6061219	R+C3	11.183
Transit	80-	2375	6081927	R+C3	12.262
Transit	88-	2395	6156796	R+M	11.657
Transit (with overdrive)	-88	2540	6128560	R+C3	11.655
Transit (with overdrive)	88-	2665	6170017	R+C3	11.656

HYUNDAI

Pony - Excel		903	94240.21050	J6+B4	13.463

HONDA

Civic – Civic wagon	81-	1245	37230SA0661	J6+Z	14.502
Civic w/MT exc. Si-Wagon	84-87				
Civic Si	86-87	999	37230SB3672	J6+Z	14.503
Civic w/AT exc. Wagon	84-87				
Civic 1.3 – 1.6 w/MT	88/91	883	78410SH3A02	J6+Z	14.504
Civic 1.5 w/MT	88/91	1203	78410SH3G02	J6+Z	14.505
Civic VTEC w/MT	90-91	953	78410SH2G01	J6+Z	14.506

SPEEDOMETER CABLES

Trasmissioni contachilometri Transmission de compteurs Tachometerseil

APPLICATION	YEAR	LENGTH	OEM/Compares with No.	End fitt.	OUR REF.
HONDA					
Accord w/MT Accord w/AT Accord w/MT	82-83 84-	1052	37230SA0680/682	J6+Z	14.501
CRX w/MT exc Si	84-87	999	37230SB3672	J6+Z	14.503

INNOCENTI

Mini Minor		641	00005077	A+B6	11.184
Mini Cooper		681	00005096	A+B6	11.185
Mini 90-120-De Tomaso		822	533611103	E+B6	11.186
Mini 650-Turbo-Diesel-Minitre		800	553620131	E+B2	11.188
1000 3 cyl.		768	553625103	E+B2	11.187

LADA

Niva		1180	2121.3819010	A+M	11.210
Niva (new model)		1450	21212.3819010	A+M	12.719
Samara		802	2108.3819010	A+M	11.830
2101		1092	2101.3802610	A+M	11.207
2103		962	2103.3802610	A+M	11.208
2105 / Nova		1040	2105.3819010	A+M	11.209

LANCIA-AUTOBIANCHI

Y10 all	85-	905	5993252	E+M	11.193
Y10 all	88-	855	7632079-7706301	E+M	11.660
Y10 R92	92-	1024	7732776	E+M1	12.059
Y10 R92 4WD	92-	905	7706303-7635504	E+M1	12.289
Y10 (ch. 3475382-)	93-	1030	7757795/85	E+A5	13.258
Delta / Beta / Trevi		1070	82350456-82402196	E+M	11.201
Delta / Prisma all	86-	990	82431200-82386396	E+M	11.205
Delta 4WD lato strum.-instrument side	88-	637	82430505	E+I	11.425
Delta 4WD lato cambio-gear side	88-	430	82430504	E+M	11.427
Thema	86-	1290	82382699	E+M	11.152
Thema	87-	1250	82428992	E+M	11.658
Dedra 1.6-2.0-TD l.strum.-instrument s.	89-	574	82441710	E+P	11.662
Dedra 1.6-2.0-TD l. cambio-gear side	89-	446	7602006	E+M1	11.420
Dedra 1.6-2.0-TD Antiskid	89-	391	82455520	E+M	11.664
Dedra 1.8-2.0	92-	972	7726207	E+M1	11.810

SPEEDOMETER CABLES

Trasmissioni contachilometri Transmission de compteurs Tachometerseil

APPLICATION	YEAR	LENGTH	OEM/Compares with No.	End fitt.	OUR REF.
LANCIA-AUTOBIANCHI					
Zeta		1135	9618182680	Y+J4	13.696
A112	-77	854	4208502	A+M	11.189
A112	77-	864	1120260	E+M	11.191
Inner cables-Flessibili interni					
Y10		905			11.194
Y10		855			11.661
Delta / Beta / Trevi		1070			11.202
Delta 4WD lato strum. -instrument side		637			11.426
Delta 4WD lato cambio-gear side		450			11.428
Delta / Prisma		990			11.206
Thema	-86	1290			11.153
Thema	87-	1250			11.659
A112	77-	864			11.192

MERCEDES

190 4 speed	84-	1450	201.540.0868	M+V1	11.213
190 5 speed	84-	1410	201.540.1568	M+V1	13.702
190 E 2.6		1530	201.540.1668	M2+V1	13.703
Series 200	69-	1160	115.542.0207	M+V2	11.214
Series 200	75-	1333	123.542.0307	M+V2	11.215
Series 200	82-	1440	123.542.7707	M+V1	11.216
Series 200	86-	1495	124.540.0268	M+V1	11.431
240 D	75-	1227	114.542.0707	M+V1	11.217
230T-240TD-250T-280TE	75-	1400	123.542.1707	M+V2	13.699
230-280 CE Autotrans		1474	123.542.0607	M+V2	13.700
200-200D-220-230 5 speed	75-	1384	123.524.8007	M+V1	13.701

MITSUBISHI

L200 Pick-Up		1830	MB415430	J6+B5	14.508
--------------	--	------	----------	-------	---------------

NISSAN

Micra all	93-	869	25050.54B65	B5+J6	13.704
Trade 2.0	93-	3080	13605121	E+B4	14.511
Trade 2.8	93-	2930	13605160	E+Y2	14.512
720 P/up-Truck 4wd Gas eng.	82-86	2850	25050.48w07	B5+J6	13.705

SPEEDOMETER CABLES

Trasmissioni contachilometri Transmission de compteurs Tachometerseil

APPLICATION	YEAR	LENGTH	OEM/Compares with No.	End fitt.	OUR REF.
OPEL					
Corsa	82-	800	1268028	D1+S	11.228
Corsa (strumento supplm.)		835	1268030	D1+S	11.229
Corsa A	85-93	750	1268041	D1+M	14.517
Corsa B 1.2-1.4-1.6-Ds-Tds	93-	860	1268091-1268324	D1+S	11.220
Corsa B 1.2-1.4-1.6 benz.	94-	1095	1268415	D1+M	14.518
Astra / Vectra 1.4-1.6-1.7 Ds	89-	854	1268282	D1+M	12.039
Astra / Vectra 1.8-2.0	89-		1268284		
Astra / Vectra / Calibra	92-95	854	1268332	D1+S	12.040
Astra 1.4-1.6-1.8 no Abs	96-		1268351		
Astra / Vectra 1.4-1.6-TD	-96	860	1268213-1268306-1268335	D1+M	11.814
Astra 1.4-1.6-1.8 Abs mod.	96-	1230	1268350	D1+M	11.222
Kadett B		1442	1268075	M+M	11.218
Kadett C	75-	1285	1268152	T+M	11.432
Kadett D	80-	860	1268213	D1+M	11.814
Kadett E		900	1268214	D1+M	13.742
Kadett E		920	1268055	D1+M	11.433
Kadett E Autotrans		1000	1268061	D1+M	13.706
Kadett Diesel		860	1268236	D1+S	11.220
Omega		1260	1268267-90336830	D1+A	13.740
Omega		1540	1268340-90510876	D1+A	13.741
Rekord B automatic gear	75-	1375	1268169	M+M	11.663
Rekord C	66-	1553	1268071	M+M	11.224
Rekord D	78-	1195	1268167	T+M	12.038
Rekord E	78-	1308	1268187-1268208	D1+M	11.225
Rekord E Diesel 4 speed	81-82	1430	1268206	D1+M	11.226
Rekord E Diesel 5 speed		1345	1268038	D1+M	11.227
Ascona / Manta	70-	1185	1268100	M+M	11.221
Ascona B / Manta	76-	1240	1268182	D1+M	11.222
Ascona C 1.3		860	1268213	D1+M	11.814
Ascona C 1.3		900	1268214	D1+M	13.742
Ascona C 1.6-1.8	81-	900	1268238	D1+S	11.223
Ascona C Diesel		860	1268236	D1+S	11.220

PEUGEOT

106 all	90-	900	6123.C4	J+Y	11.435
306 all	93-	915	6123.H3-9613334080	J5+Y	13.707
205 all benz.	-85	895	6123.34	J1+L	11.233
205 all benz.	-87	938	6123.87	J1+L1	11.815
205 all benz.	88-	897	6123.92	J+L1	11.434
205 Diesel	-87	985	6123.64	J1+Y	11.234
205 Diesel	88-	900	6123.79	J+Y	11.435
205 all	90-		6123.C4		
305 all	77-	800	6122.83	J+L	11.237

SPEEDOMETER CABLES

Trasmissioni contachilometri Transmission de compteurs Tachometerseil

APPLICATION	YEAR	LENGTH	OEM/Compares with No.	End fitt.	OUR REF.
PEUGEOT					
305 Diesel	83-	990	6123.22	J+Y	11.238
305 Diesel	84-	1015	6123.74	J+Y	11.666
309 all	85-	900	6123.79-6123.C4	J+Y	11.435
405 all benz.		900	6123.79	J+Y	11.435
405 Diesel		980	6123.95	J+Y	11.436
405 all – 405 T16	93-	940	6123.F2/.F3/.H7/.H8	J5+Y	14.520
605 all		970	6123.F4	J5+Y	13.710
104	-80	920	6122.45	G+L	11.230
104	7/85-	880	6123.73	G+K	11.232
204 / 304	2/76-	1175	6122.43/.61	G+L	11.236
404 all	-69	1620	6122.17/24	G+K	12.042
404 all	69-	1720	6122.29	G+K	11.239
404 all	76-	1720	6122.52	G+L	11.240
504	-76	1810	6122.38	G+K	11.241
504	77-	1810	6122.70	G+L	11.242
504	79-	1810	6122.88	J+L	11.243
504	83-	1810	6123.50	J+L1	11.816
504 L-GR-SR	10/83-	2000	6123.90	J+L1	12.435
505 4 speed	-83	1620	6122.90-6123.16	J1+L	11.244
505 4 speed	84-	1620	6123.42/.48	J1+L1	12.044
505 5 speed	-83	1940	6123.14	J1+L	12.043
505 5 speed	84-	1940	6123.46	J1+L1	11.817
Commercial vehicle					
J5	81-	1231	6123.09	E+Q	11.170
J5	91-93	990	6123.C7	E+Q1	13.709
J5	7/93-	1400	6123.G4	E+O	13.708
J7 / J9	76-83	1740	6122.29	G+K	11.239
J7 / J9	83-	2350	6123.41	J+Q	12.047
Boxer		1515	6123.G6/.K6	E+Y	13.255
Boxer Diesel-TurboD		1510	6123.G8/.K2	E+O	13.253
POLSKI					
126-126 Bis		2515	7536340	A+M	11.122
125 P		1092	4125295	A+M	11.114

SPEEDOMETER CABLES

Trasmissioni contachilometri Transmission de compteurs Tachometerseil

APPLICATION	YEAR	LENGTH	OEM/Compares with No.	End fitt.	OUR REF.
RENAULT					
Clio	90-	890	7700.796.635	J+N2	11.821
Supercinque	88-	950	7701.348.372-7701.349.842	J+N2	11.251
Espace TSE		1400	7701.348.778	J+N2	12.060
Espace		1510	6025.002.131	J+N2	11.441
Laguna DS	94-		7700.841.913-7704.103.400	G+N	13.465
R4-Cargo	-73	1280	7700.508.327	G+N	11.246
R4-Cargo	73-	1500	7700.634.251	G+N	11.247
R4 L-TL	82-	1550	7701.349.473	J+N2	13.712
R4 GTL	-82	1670	7700.537.580-7701.348.393	G+N2	11.437
R4 GTL	82-	1770	7701.349.474	J+N2	11.438
R5 L	74-	1420	7701.348.388	G+N1	11.248
R5 TL-TS	76-	1570	7701.348.391/.392	G+N1	11.249
R5 all	79-	1550	7701.348.748	J+N1	11.250
R5 TL	82-	1770	7701.349.474	J+N2	11.438
R6	-73	1280	7700.508.327	G+N	11.246
R6	73-	1500	7700.566.111	G+N	11.247
R9		1672	7701.349.372	J+N2	11.252
R9 / R11	88-	950	7701.349.842	J+N2	11.251
R12 TL-TS	71-	1570	7700.538.906-7701.348.392	G+N1	11.249
R12 TL-TS	75-	1540	7700.615.864-7701.348.732	J+N1	11.256
R12 Dacia		1680	6000.036.898	G+N	14.524
R14 I.strumento-instrument side		650	7700.640.234-7701.349.050	J+H	11.257
R14 lato cambio-gear side		290	7701.348.397	G+L	11.258
R15 TS	71-	1570	7700.538.906	G+N1	11.249
R15 TL-TS / R17 TL-TS	75-	1540	7701.348.395	J+N1	11.256
R16 L-TL		1470	7700.511.877	G+N	11.818
R16 TS-TX		1580	7700.528.761	G+N	11.819
R18 4 speed		1450	7701.348.245	J+N1	11.259
R18 5 speed / Fuego		1400	7701.349.411	J+N2	12.060
R19 all	88-	1190	7701.349.863	J+N2	11.820
R20 benz.	75-	1540	7701.348.732	J+N1	11.256
R21 benz. / Nevada		1100	7700.765.534	J+N2	11.439
R21 Diesel		1410	7700.765.535	J+N2	11.440
R30 all		1090	7700.572.884	G+N1	12.501

SPEEDOMETER CABLES

Trasmissioni contachilometri Transmission de compteurs Tachometerseil

APPLICATION	YEAR	LENGTH	OEM/Compares with No.	End fitt.	OUR REF.
RENAULT Commercial vehicle					
Express	88-	950	7701.349.842	J+N2	11.251
Express	94-	1000	7700.272.069	J3+N2	13.466
Trafic T.AV.	81-	1500	7700.665.336	J+N2	11.442
Trafic T.AV. 1.7 cc	81-	1220	7700.713.806	J+N2	12.049
Trafic P.AR.	81-	1840	7700.671.927	J+N2	12.050
Master T.AV. 4 speed	81-	1150	5000.409.595/598	J+O	12.051
Master T.AV. 5 speed	81-	1300	5000.409.842	J+O	12.052
Master T.AV Diesel	89-	1550	7700.748.162	J+O	12.054
Master P.AR	-2/89	2440	5000.409.741	J+O	12.053
Master P.AR	3/89-	2900	7700.743.361	J+O	12.055
Estafette		2200	7700.513.302	G+L	12.500

ROVER

Metro	-85	812	GSD373	J+B3	11.211
Metro	85-	912	GSD406	J+B3	11.665
Mini Morris		641	383362103	B1+G	11.184
Mini Cooper		681	05096	A+B6	11.185
Mini	85-	610	GSD101	B1+G	11.429
Mini Special	85-	755	ADU5915	R1+B6	11.430
Land Rover Diesel		2401	623055	R1+C1	11.212

SEAT

Ibiza / Malaga / Ronda	86-	1270	X03963310-SE022130327A	E+M	11.142
Marbella / Terra / Panda		900	X044138590-SE141130327A	E+M	11.098
127 Fura		752	X039602370	E+M	11.102
Toledo benzina / diesel	91-	975	1L0.957.783A	W3+W2	13.499
Toledo benzina Abs	91-	1115	1L0.957.783D	W3+W2	13.500
Commercial vehicle					
Terra		1150	X039649360	J+M	14.526
Terra DS		1230	X039607660	J+M	14.527

SPEEDOMETER CABLES

Trasmissioni contachilometri Transmission de compteurs Tachometerseil

APPLICATION	YEAR	LENGTH	OEM/Compares with No.	End fitt.	OUR REF.
SKODA					
Favorit		960	115.980.090	M+M	13.714
105 / 120		2880	113.980.090	M+K	12.056
Felicia		955	004.410.165-640.957.785	M+M	14.528

SUBARU

DL-Brat w/AT-MT	82-84	1228	737411020/21		13.470
DL 1.3-1.6-1.8	85-	1149	37411GA122		13.472

SUZUKI

Sprint	87-	1035	3491082010	J6+Y2	13.474
Swift – Sprint	90-	974	3491061B00	J6+N3	13.473
Santana SJ410-SJ413		2250	3491080030	A+Y2	12.554
Santana SJ410-SJ413 USA mod.		2250	3491080031/80C30/80C31	J6+Y2	13.476

TALBOT-SIMCA

Samba	82-	910	9250221880	J+L	11.261
Horizon	-79	920	522342900	J2+L1	12.559
Horizon	80-	920	522345800	J2+Y	12.503
1100 S	73-79	1040	44418Z-15819100	J+L1	11.265
1307 / 1308	-78	940	134674000	J+L	11.268
1510 / Solara	78-	940	570444000	J+Y	11.270

TOYOTA

Celica w/MT	76-80	1797	8371019436	B4+J6	14.769
Celica w/MT	82-85	1996	8371014350	B4+J6	13.716

SPEEDOMETER CABLES

Trasmissioni contachilometri Transmission de compteurs Tachometerseil

APPLICATION	YEAR	LENGTH	OEM/Compares with No.	End fitt.	OUR REF.
-------------	------	--------	-----------------------	-----------	----------

VOLKSWAGEN

Polo all	-84	1030	861.957.801	M+M	11.645
Polo all (with servo brake)	85-	1230	861.957.801A	W+M	11.444
Polo all (without servo brake)	85-	1100	861.957.801B	W+M	12.487
Golf all	-78	1010	171.957.803B	M+M	11.274
Golf all	79-81	998	171.957.803C	M+W2	11.275
Golf / Jetta 1.1-1.3	81-	1020	171.957.803G	M+W	11.276
Golf / Jetta 1.6-1.8	81-	998	171.957.803H	W+W2	11.277
Golf LS 1.5 (70 PS)		975	171.957.803D	M+W2	13.717
Golf / Jetta all	85-	1120	191.957.803D	W+W2	11.445
Golf / Jetta Autotrans	85-	1100	191.957.803B	W+M	13.718
Golf / Jetta	87-	1060	191.957.803H	W+M	13.751
Passat / Santana 4 cyl.	81-	1410	321.957.803AF	W+S	11.279
Passat 1.6-1.8-Diesel	81-	1290	321.957.803AA	W+S	12.057
Passat		1630	321.957.803AC	M+S	12.058
Passat	94-	1010	357.957.803A	W3+S	13.750
Scirocco all	-78	1195	531.957.803B	M+M	11.278
1200 Beetle	57-	1240	111.957.801J/K	M+W1	11.271
1303	70-	1408	113.957.801A/B	M+W1	11.272
Commercial vehicle					
Transporter	55-	2060	211.957.801E	M+W1	11.280
Transporter	67-	2420	211.957.801F	M+W1	11.281
Transporter 1.6-2.0	-81	2245	251.957.803	M+W1	11.282
Transporter 1.6-2.0 - Bus	81-	2235	251.957.803A	W+W1	11.283
Transporter all		1635	224.957.809A	M+W1	14.534

VOLVO

240		2005	12155461	T+M	11.446
142 / 164 (overdrive)	72-	2000	1214055	T+M	12.687
142 / 164	72-	1735	1214307	T+M	12.688
340 / 360	84-	1335	3205601-3207948	T+V3	14.539

ZASTAVA

101 (128)		1082	1016494	A+M	11.122
------------	--	------	---------	-----	---------------

SPEEDOMETER CABLES

Trasmissioni contachilometri Transmission de compteurs Tachometerseil


APPLICATION	YEAR	LENGTH	OEM/Compares with No.	End fitt.	OUR REF.
-------------	------	--------	-----------------------	-----------	----------

UNIVERSAL INNER SPEEDOMETER CABLES

Flessibili interni regolabili

Cavo diametro Ø 3,2 mm.			1000		20.100
Cavo diametro Ø 3,2 mm.			1400		20.101
Cavo diametro Ø 3,2 mm.			2200		20.102
Cavo diametro Ø 3,2 mm.			2800		20.103
Cavo diametro Ø 3,2 mm.			3600		20.104
Cavo diametro Ø 3,2 mm.			4200		20.105
Cavo diametro Ø 3,2 mm.			4800		20.106












Speedometer end fittings

<p>A</p>  <p>16x1</p>	<p>A3</p>  <p>18X1,5</p>	<p>A4</p>  <p>18X1,5</p>	<p>A5</p>  <p>18X1,5</p>
<p>B</p>  <p>20X1</p>	<p>B1</p>  <p>5/8</p>	<p>B2</p> 	<p>B3</p> 
<p>B4</p> 	<p>B5</p>  <p>22X1,5</p>	<p>B6</p>  <p>19x1</p>	<p>C</p> 
<p>C2</p> 	<p>C3</p> 	<p>D</p> 	<p>D1</p> 
<p>D2</p> 	<p>E</p> 	<p>E1</p> 	<p>F</p> 
<p>G</p>  <p>12X1</p>	<p>H</p> 	<p>I</p> 	<p>J</p> 

Speedometer end fittings

<p>J1</p> 	<p>J2</p> 	<p>J3</p> 	<p>J4</p> 
<p>J5</p> 	<p>J6</p> 	<p>K</p> 	<p>L</p>  <p>Ø 03</p>
<p>L1</p>  <p>Ø 2,6</p>	<p>M</p>  <p>18X1,5</p>	<p>M1</p> 	<p>N</p> 
<p>N1</p> 	<p>N2</p> 	<p>N3</p> 	<p>O</p> 
<p>P</p> 	<p>Q</p> 	<p>Q1</p> 	<p>R</p> 
<p>R1</p> 	<p>S</p> 	<p>T</p> 	<p>V</p> 

Speedometer end fittings

<p>V1</p>  A close-up photograph of a metal speedometer end fitting with a threaded section and a small protrusion.	<p>V2</p>  A close-up photograph of a metal speedometer end fitting with a threaded section and a small protrusion.	<p>V3</p>  A close-up photograph of a black speedometer end fitting with a threaded section.	<p>W</p>  A close-up photograph of a metal speedometer end fitting with a threaded section and a small protrusion.
<p>W1</p>  A close-up photograph of a metal speedometer end fitting with a threaded section and a small protrusion.	<p>W2</p>  A close-up photograph of a metal speedometer end fitting with a threaded section and a small protrusion.	<p>W3</p>  A close-up photograph of a black speedometer end fitting with a threaded section.	<p>Y</p>  A close-up photograph of a metal speedometer end fitting with a threaded section and a small protrusion.
<p>Y1</p>  A close-up photograph of a black speedometer end fitting with a threaded section.	<p>Y2</p>  A close-up photograph of a metal speedometer end fitting with a threaded section and a small protrusion.	<p>Z</p>  A close-up photograph of a metal speedometer end fitting with a threaded section and a small protrusion.	

SAGH



AGGIUNTE AL CATALOGO - SETTEMBRE 2014

CAVI FRIZIONE

Prezzo

Peugeot

35.0185	2150.EG-9686559380	206 all 1.9 DS ch9583- mod.		02-	815/600
---------	--------------------	-----------------------------	--	-----	---------

Renault

41.0103.1	7700421415	Laguna 1.9 DCI DTI 98 cv mod.		91-96	1318/1132
41.0104.1	7700431360	Laguna 1.9 DTI 98 cv mod.		98-	1196/870
41.0105.1	7700840097-7700428748	Laguna 2.0 114 cv mod.		94-	1095/775
41.0106.1	6025312553	Laguna 2.0 139 cv a/a Laguna 3.0 167 cv a/a		00-01	1075/860

Suzuki

48.0124	2003000000000-2371057B01000- 2371057B20000-2371085C	Vitara 1.9D-1.9DT (4x4)		95-98	1405/1145
---------	--	-------------------------	--	-------	-----------

FUNI FRENO

Audi

03.0277	857609721D	80-90 Quattro	rear LH	83-91	1150/530
03.0278	857609721E	80-90 Quattro	rear RH	83-91	1120/500
03.0279	8E0609721BB	RS4 4.2 Quattro	rear LH-RH	05-	1780/1615
03.0280	8D0609722F	RS4 Avant 2.7 Bi Turbo Quattro	rear RH	99-01	1850/1680
03.0281	4B0609721AA	RS6 4.2 Quattro	rear LH-RH	02-05	1955/1780

Citroen

07.0205.1	474632-4820A103	C-Crosser 4x4 mod.	rear LH	07-	1627/1425
07.0206.1	474633-4820A104	C-Crosser 4x4 mod.	rear RH	07-	1645/1435
24.0259	1606294080	C4 AirCross 1.6-1.8 Hdi (4x4) -ch.13114	rear RH	12-	1632/1418
07.0207.1	9801566780	DS5 2.0 Hdi Hybrid 4	rear LH-RH	11-	-

Daewoo-Chevrolet

06.0226	96418136-96435119-96549802-96808380	Lacetti / Nubira t.t.	rear RH	05-	-
06.0227	96418134-96435117-96549800-96808379	Lacetti / Nubira t.t.	rear LH	05-	-

		Fiat				
11.0270.2	51900394	Panda III 4x4 mod. t.t.	rear LH	12-	1550/1337	
11.0271.2	51900392	Panda III 4x4 mod. t.t.	rear RH	12-	1550/1337	
11.0222.2	99443476	Daily t.t.	rear LH-RH	94-00	2765/980+980	
		Ford				
13.0299.1	1818953-1838140	Fiesta VI (disc brake)	rear LH-RH	12-	1625/1440 +1590/1410	
		Hyundai				
10.0263	597700X300	i10 all (disc brake)	rear RH	08-	1263/1117	
10.0264	597600X300	i10 all (disc brake)	rear LH	08-	1525/1110	
10.0269	597702H300	i30 (I) 1.4-1.6-2.0	rear RH	07-10	1675/1500	
10.0270	597602H300	i30 (I) 1.4-1.6-2.0	rear LH	07-10	1675/1500	
		Mercedes Smart				
27.0265.1	4514200385-4514200485	Fortwo 2 pcs.	rear LH-RH	07-	1030/855+ 1030/855	
		Mitsubishi				
07.0205.1	474632-4820A103	Outlander (II) 4x4 mod.	rear LH	06-	1627/1425	
07.0206.1	474633-4820A104	Outlander (II) 4x4 mod.	rear RH	06-	1645/1435	
24.0259	4820A038	ASX 1.8 DiD 4WD Outlander (II) 2.2 DiD 4WD 2.4 Mivec 4x4	rear RH	10-	-	
24.0262	MN102418	L200 (III) 2.5 DiD PickUp	Front	09-	235	
		Peugeot				
07.0205.1	474632-4820A103	4007 4x4 mod.	rear LH	07-	1627/1425	
07.0206.1	474633-4820A104	4007 4x4 mod.	rear RH	07-		
24.0259	1606294080	4008 1.6-1.8 Hdi 4x4 -ch.13114	rear RH	12-	-	
		Toyota				
52.0256.2	464200D210	Yaris (IV) all (disc brake)	rear RH	11-	1700/1520	
52.0257.2	464300D210	Yaris (IV) all (disc brake)	rear LH	11-	1775/1595	
52.0258.2	464200D200	Yaris (IV) all (drum brake)	rear RH	11-	1690/1445	
52.0259.2	464300D200	Yaris (IV) all (drum brake)	rear LH	11-	1615/1370	
52.0260.2	4641002140	Auris (II) t.t.	Front	12-	305	
52.0261.2	4643012610	Corolla Sedan 1.3 16v-1.4/1.6 VVT-i 16v	rear LH	06-	1890/1735	
52.0262.2	4642012720	Corolla Sedan 1.3 16v-1.4/1.6 VVT-i 16v	rear RH	06-	1915/1765	
52.0263.2	4643012620	Corolla Sedan 1.4-2.0 D-4D 16v	rear LH	06-07	1895/1740	
52.0264.2	4642012730	Corolla Sedan 1.4-2.0 D-4D 16v	rear RH	06-07	1920/1765	
52.0261.2	4643012610	Corolla Sedan 1.4-2.0 D-4D 16v	rear LH	07-	1890/1735	

52.0262.2		4642012720	Corolla Sedan 1.4-2.0 D-4D 16v	rear RH	07-	1915/1765
Attenzione!						
<i>Nel nostro catalogo cartaceo 2014 i nostri codici 10.0255 e 10.0256 presentano 2 OEM ciascuno, ma dopo aver ricontrollato ci risulta che ne abbiamo solo uno:</i>						
Sbagliato:	10.0255 =	597602L300-597602H300		Corretto:	10.0255 =	597602L300
	10.0256 =	597702L300-597702H300			10.0256 =	597702L300
<i>Abbiamo già provveduto a correggere entrambi sul nostro catalogo online. Ci scusiamo per l'imprecisione.</i>						

AGGIUNTE AL CATALOGO nr. 2 DICEMBRE 2013

CAVI FRIZIONE

Codice	Prezzo	Citroen				
07.0181		2150.CY-9664708080	BERLINGO (II) 1.6 HDi PF, 1.9 D, 2.0 HDi Multispace (da tel.11190->)	mod.	11/02-	870/660
		Citroen - Veicoli commerciali				
07.0181		2150.CY-9664708080	BERLINGO (II) 1.6 HDi PF, 1.9 D, 2.0 HDi Combi Cab (da tel.11190->)	mod.	11/02-	870/660
		Daewoo				
06.0105		96590791-25187108	Matiz all 800cc Spark all		05- 09-	845/580
06.0106		25187023- 96590793	Matiz 1000 cc		05-	825/565
06.0107		96339736	Aveo all Kalos all		06-	860/685
		Nissan				
28.0122		307706F800-801	Micra II 1.5D		98-02	760/450
		Peugeot				
35.0182		2150.EG-9686559380	206 all 1.9DS CH.9583-	a/a	02-	820/640
35.0184		2150.CH-2150.EE-9652759480-9686559480	206 all 1.9DS CH.9583-	mod.	00-	820/605
		Renault				
41.0198		7700421415	Laguna (I) 1.9 Dci/Dti	a/a	7/98-	1245/900
41.0100.1		7700432383	Laguna all exc. 3,0 V6	mod.	94-98	1130/900
41.0101.1		6025304915	Espace (III) all	mod.	97-02	1070/855
		CAVI FRENO				
		BMW				

05.0227	35511161474	Serie 7 berlina (E38) ABS+ASC+T	RH	88-	1120/570
05.0258	34406792263-34406851830-34406857639	Serie 1 (F20) Berlina 1.6-2.0 all	LH-RH	11-	1460/775
05.0259	34406792268-34406857640	Serie 3 (F30/F31) Berlina / Touring all	LH-RH	11-	1585/790
		Chrysler-Kia			
09.0251	4779592AA	300C all	LH-RH	08/2004-	711/567
09.0256	4721027AG-AJ-AK-AL	Voyager-Gran Voyager 2.5 CRD disc brake	LH	01-07	1690/840
09.0257	4721026AF-AG-AH-AK	Voyager-Gran Voyager 2.5 CRD disc brake	RH	01-07	1300/685
		Citroen			
11.0252.1	4745G4-1310462080	Jumper / Relay only UK	Front	-02	1140/900
		Fiat			
11.0262.2	K04766479AD-AC	Freemont all	Front	08/2011-	1920/1655
11.0263.2	K04862226AF-AE	Freemont all	RH	2011-	2300/1095
11.0264.2	K04862227AH-AG-AI-AJ	Freemont all	LH	2011-	1177/980
11.0267.2	51931536-51931537	500L	LH-RH	09/12-	1775/1560
11.0268.2	71750424	Sedici all disc brake	RH	06-	1635/1455
11.0269.2	71750425	Sedici all disc brake	LH	06-	1635/1455
		Fiat - Veicoli commerciali			
11.0254.2	504347502	Daily (II) 35C all	Rear	09/2002-	1266/920
		Ford			
13.0262.1	1676740-3M512853CC	C-Max all exc. Ghia	Front	06/08-	341
13.0262.1		Focus II all		06/07-	
13.0296.1	1306212	Focus 2.0RS - 2.0 ST170	Rear	02-04	1770/1590
		Ford - Veicoli commerciali			
13.0267.1	1494893-1C152A635CE	Transit FWD Van-Kombi-Bus	RH	07-	1280/985
		Mercedes			
27.0244.1	9064204485-9064203085-9064207085	Sprinter all (5 tons)	LH-RH	06-	1395/1060
		Nissan			
28.0232.1	364024M600	Primera P12 all	Front	04-	230
28.0233.1	36402AX000	Note all	Front	06-	200
28.0269.1	365301KK0A	Juke 1.6-1.5Dci	RH	10-	1700/1632
28.0270.1	365311KK0A	Juke 1.6-1.5Dci	LH	10-	1672/1505
28.0271.1	36530F3903	Cabstar F23 LWB	RH	01-	1292/900
28.0274.1	36531F3903	Cabstar F23 LWB	LH	01-	2110/904

		Opel				
33.0248.1	522047-13250177-522057-13323804	Insignia all (mecc. brake)	Rear	10-	1940/1800	
33.0249.1	522046-13227133	Insignia all (mecc. brake) 4WD	Rear	10-	2005/1852	
33.0261.1	522550-9127540	Astra G / Zafira A	Front	98-05	305	
		Opel - Veicoli commerciali				
41.0212.2	1605112	Vivaro all LWB	Kit	11-	1645+495/260	
41.0213.2	1605111-93168971	Vivaro all SWB	Kit	11-	1245+495/260	
41.0226.1	9111490-4403490-8200021940-3640000QAD	Movano	LH-RH	00-	1735/1440	
		Peugeot				
07.0281	4745Y3	107 all	LH	05-	1486/1243	
07.0282	4745Y2	107 all	RH	05-	1478/1235	
35.0235.1	9671813380	208 drum brake	LH-RH	12-	1790/915	
35.0236.1	9802570580	208 disc brake	LH-RH	12-	1910/1105	
		Peugeot - Veicoli commerciali				
07.0251	4745J3-96277119	Partner all	RH	96-	1820/1480	
07.0272	4745R0-96391792	Partner all (orga 08394-)	RH	97-	1850/1510	
07.0275	4745G8	Expert 1.6 DS LWB drum brake	RH	95-	2368/2145	
07.0283	4745Y0	Partner all disc brake	LH	6/04-	1820/1555	
07.0284	4745Y1	Partner all disc brake	RH	6/04-	1922/1640	
		Renault				
41.0211.2	364007537R	Dacia Dokker- Lodgy	LH-RH	03/12-	1940/1725	
		Renault - Veicoli commerciali				
41.0212.2	1605112	Trafic all LWB	Kit	11-	1645+495/260	
41.0213.2	1605111-93168971	Trafic all SWB	Kit	11-	1245+495/260	
		Seat				
55.0221.1	1S0609721C	Mii all	Rear	12-	1520/825	
		Skoda				
55.0221.1	1S0609721C	Citigo	Rear	12-	1520/825	
		Suzuki				
11.0268.2	5440155L10000	SX4 all disc brake	RH	06-	1635/1455	
11.0269.2	5440255L10000	SX4 all disc brake	LH	06-	1635/1455	
33.0208.1	4706689-9211156-5442084E00	Wagon R II	LH	03-	1530/1290	
33.0214	4706688-9211155-5441084E00	Wagon R II	RH	03-	1530/1281	

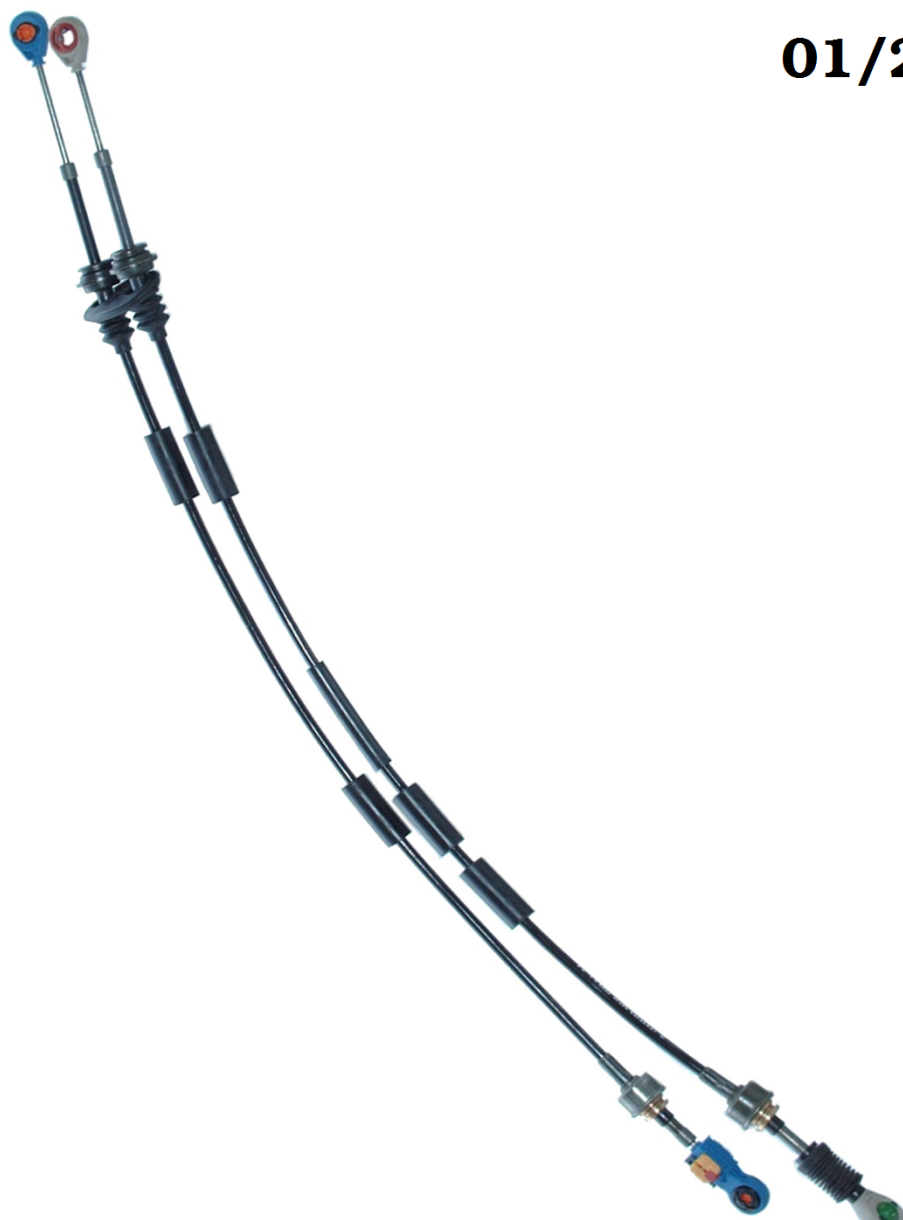
		Toyota				
52.0234.2		4643042080	RAV 4 (II) 1.8 - 2.0 VVTi 4x4	LH	5/00-10/05	1275/1030
52.0235.2		4642042080	RAV 4 (II) 1.8 - 2.0 VVTi 4x4	RH	5/00-10/05	1275/1030
52.0236.2		4642020360	Carina E 2.0 - 2.0 GT	RH	92-97	1710/1460
52.0237.2		4643020450	Carina E 2.0 - 2.0 GT	LH	92-97	1760/1510
52.0238.2		4643052161	Urban Cruiser all disc brake Yaris (J) II 1.8 VVTi	LH	09- 06-	1620/1430
52.0239.2		4642052161	Urban Cruiser all disc brake Yaris (J) II 1.8 VVTi	RH	09- 06-	1665/1475
52.0244.2		4642052151	Yaris (J) all ch.200508- drum brake	RH	06-11	1600/1395
52.0245.2		4643052151	Yaris (J) all ch.200508- drum brake	LH	06-11	1560/1350
		Volkswagen				
55.0206.1		6U7609721	Caddy p/up	LH-RH	96-00	1780/1470
55.0220.1		1S0609721A	Up all	Rear	-11	1530/835
55.0221.1		1S0609721C	Up all	LH-RH	12-	1520/825
		Volkswagen - Veicoli commerciali				
27.0244.1		2E0609701T	Crafter all	LH-RH	06-	1395/1060
		Volvo				
57.0254		30714012-30793827	XC70 all - XC90 all	Front	03-	1985/1878
		CAVI ACCELERATORE				
		Ferrari				
15.0309	15,70	108355				2117/1078
15.0311	18,50	120498	328 GTB			2260/1355
15.0312	22,60	106294	308 GT4			2345/1045
		Fiat				
11.0318.2	23,80	1629E6	Kit Ducato		94-	

		Lancia Autobianchi			
11.0310.2	22,60	46800470	Nuova Y		765/605
		Suzuki			
48.0310	26,60	1591060B50	Swift 1.0	97-	660/400
48.0311	24,70	1591080E00-1591060B2V000-1591060B04000-1591060B210	Swift 1.0 - 1,3	91-	690/430
48.0312	18,20	1591086CF0000-1591086CB0-1591086CB1	Vitara 1,9TD	97-	510/380
		Volkswagen			
55.0348	13,70	1H0721555A -1H0721555J	Polo all 1.6	96-00	760/565
55.0394	19,80	1H0721555T	Golf III / Vento 1.4/1.6	96-98	704/430
55.0395	24,70	1H0721555C	Golf III VR6	-95	1176/828
55.0396	24,20	1H0721555A	Golf III VR6	95-	1140/859
55.0397	23,60	1H0721555Q	Golf III/Vento 1.9 DS	93-00	940/682
		CKM			
		Fiat			
11.1514.1	15,90	4070427	500D		2750

 **SAGH**

COMANDI SELEZIONE MARCE

01/2015



COMANDI SELEZIONE MARCE

APPLICAZIONE	ANNO	RIF. ORIGINALE	CODICE
--------------	------	----------------	--------

ALFA ROMEO

A. R. 147 T.T. - ALFA GT	00>10	71735927-71728347-71738133	15349
A. R. MITO 1.2 MPi - 1.4 MPi	08>	55199359	15308
A.R. MITO VEDI PUNTO - GRANDE PUNTO			

AUDI

AUDI A3 1.8-1.8T-1.9 TDI	95>	8L0713303	15350
--------------------------	-----	-----------	-------

CITROEN

Citroen C1 1.0		2444.AT-338200H010	15351
Citroen C3 T.T.	02>	2444.T9	15352
Citroen C3 T.T. 1.4 HDI	02>	2444.V0-2444CR-2444FE	15353
Citroen Xara Picasso	00>	2444.XO	15354
CITROEN C1 1.4 HDI-P107-TOYOTA AYGO		2444.AX	15395
CITROEN C4	01>10	2444.R9	15396
CITROEN C8		2444.GR	15397

DAEWOO

CHEVROLET DAEWOO MATIZ	98>00	96266622/96568386	15346
CHEVROLET DAEWOO MATIZ	00>	96495488/96568385	15347

FIAT

FIAT PUNTO I SERIE-LANCIA Y 95-00	93>99	7735081 - 7794318	15301
FIAT PUNTO II Serie -DISINNESTO PUNTO FL 03 (03>) 1.2 8V/16V	99-03	55194774 ex 46544422-55186861- 46803967	15302
FIAT PUNTO II 1.2-1.4 16V- PUNTO III FL (03>10) Serie - LANCIA Y - INNESTO	99-03	55194775-46544421-46803966 ex 46519171-55186856-46803966-55234098	15303
FIAT PUNTO DS PUNTO II FL '03 MOT. 1.3 MJET	99-03 03>	55194345-55186859	15305
FIAT PUNTO DS PUNTO II FL '03 MOT. 1.3 MJET	99-03 03>	55194346-55186860	15306
FIAT GRANDE PUNTO 1.2 MPi - 1.4 MPi	05>	55199358-55223407	15307
FIAT GRANDE PUNTO 1.2 MPi - 1.4 MPi	05>	55199359	15308
FIAT GRANDE PUNTO 1.3 MJTD 6 MARCE	05>	55199873 - 55223406	15309
FIAT GRANDE PUNTO 1.3 MJTD 6 MARCE	05>	55199874- 55230719	15310
FIAT GRANDE PUNTO 1.3 MJTD 75/90CV	05>	55199398	15311
FIAT GRANDE PUNTO 1.3 MJTD	05>	55203158-55199397-55230717	15312
FIAT PUNTO EVO 1.6 - MITO	09>	55235449-55222687	15355

COMANDI SELEZIONE MARCE

APPLICAZIONE	ANNO	RIF. ORIGINALE	CODICE
FIAT			
FIAT PUNTO EVO 1.6 - MITO	09>	55235450-55221388	15356
FIAT PUNTO EVO 1.4/1.4 T (105/135/170 CV) MITO START/STOP	09>	55231154-55221459	15357
FIAT GRANDE PUNTO Actual Punto Evo 1.2/1.4 START/STOP	09>	55231153-55221387	15358
FIAT GRANDE PUNTO Actual Punto Evo 1.2/1.4/1.6 MJET START/STOP	09>	55231155-55222697	15359
FIAT 500 900 cc TWIN AIR START/STOP	07>	55229289-55229290-55229291	15390
FIAT 500	07>	55222343-55223138-55223289	15345
FIAT Seicento	98>	46778792-46519030	15313
FIAT CINQUECENTO 900 FIAT SEICENTO 900	98>	46778793-46519029	15314
FIAT SEICENTO 1.1		55186870-46778794-46514868	15315
FIAT SEICENTO 1.1		55186871-46778795-46514869	15316
FIAT SEICENTO 1.1 FLESS.COMPLETO		735382768-55186871	15344
FIAT CINQUECENTO 900cc	92>98	46436999-7691629-7790692	15343
FIAT SIENA - PALIO		46761317	15317
FIAT SIENA - PALIO		46761318	15318
FIAT SIENA - PALIO		46800214	15319
FIAT SIENA - PALIO		46800215	15320
MULTIPLA COMPLETO 1.9 JTD (2 CAVI)	98>	55199875-55186891 55199878-55186892	15321
FIAT MULTIPLA COMPLETO 1.6 16V	98>	55199880-55186893	15323
FIAT SCUDO -ULYSSE		2444.GP	15389
FIAT SCUDO -ULYSSE		2444.AR	15398
FIAT STILO 1.8 16V- 1.9 JTD		46752319-55186929-55197636	15327
FIAT STILO 1.6 16V		46811319-55186932-55197630	15328
FIAT DOBLO KPL (00>) 1.2 - 1.9 JTD		46806267-46806268-46807039	15329

COMANDI SELEZIONE MARCE

APPLICAZIONE	ANNO	RIF. ORIGINALE	CODICE
FIAT			
FIAT DUCATO	94>02	1329699080-1320018080	15361
FIAT DUCATO- CITROEN JUMPER	94>02	1329695080-1318942080	15362
FIAT DUCATO	94>02	1329700080	15364
FIAT BRAVO-LANCIA N. DELTA 1.4 16V	08>	55209191-55228581-55225096	15331
FIAT BRAVO AD ESAURIMENTO		55225099	15340
FIAT NUOVA BRAVO 1.4 16V	07>	55225094-55213279	15338
FIAT NUOVA PANDA MY	10>	55245491	15393
FIAT NUOVA PANDA MY	10>	55245489	15394
FIAT NUOVA PANDA MY START/STOP	10>	55245488	15392
FIAT NUOVA PANDA MY START/STOP	10>	55245490	15391
FIAT NUOVA PANDA	03>	55222343-55223138-55223289	15345

FORD

FORD TRANSIT	96>	2C1R7E395AA	15366
FORD TRANSIT	96>	2C1R7E395AB	15367
FORD TRANSIT	96>	2C1R7E395BA-1C1R7E395CB	15368
FORD FOCUS- CMAX	05>	97BT7E459CA	15369

IVECO

IVECO DAYLI 35C/35S		504034853	15399
IVECO DAYLI 35C/35S		500317509	15400
IVECO DAYLI 29L10/29L12/35C9/35C10/35C11 35C12/35C13/35C14/35C15/		504039020	15401
IVECO DAYLI 29L10/29L12/35C9/35C10/35C11 35C12/35C13/35C14/35C15/		500317510	15402

PEUGEOT

PEUGEOT 308 (BE4R)	07>	2444.GG	15370
PEUGEOT 308 (BE4R)	07>	2444.GH	15371
PEUGEOT 308	07>	2444.GJ	15372
PEUGEOT 407	05>	2444.Z3-2444.CT	15373
PEUGEOT 406	05>	2444.Q8	15374
PEUGEOT 406	96>	2444.Q9	15375
PEUGEOT VEDI CITROEN			

COMANDI SELEZIONE MARCE

APPLICAZIONE	ANNO	RIF. ORIGINALE	CODICE
--------------	------	----------------	--------

RENAULT

RENAULT KANGOO	97>08	7701479154	15376
RENAULT KANGOO	97>08	7701479155	15377
RENAULT CLIO	98>05	7701479163	15378
RENAULT CLIO	98>05	7701479164	15379
RENAULT MEGANE - SCENIC	03>	7701474698	15380
RENAULT MEGANE - SCENIC	03>	7701474699	15381
RENAULT MEGANE - SCENIC	03>	7701474701	15383

TOYOTA

TOYOTA YARIS	99>05	338300d020	15384
TOYOTA YARIS	99>06	338300d010	15385
TOYOTA VEDI CITROEN			

VOLKSWAGEN

VOLKSWAGEN GOLF- VENTO-BORA	99>05	1J0713265A	15386
VOLKSWAGEN GOLF- VENTO-BORA	98>	1J0713303	15387
VOLKSWAGEN GOLF- VENTO-BORA	99>05	1J0713303C	15388



Catalogo Generale 2015

D.M.C. S.r.l. - Via Nazionale delle Puglie n. 20
80013 Casalnuovo di Napoli - Telefax 081/5228845
Sito Web: www.dmcricambi.com - E-mail: info@dmcricambi.com